

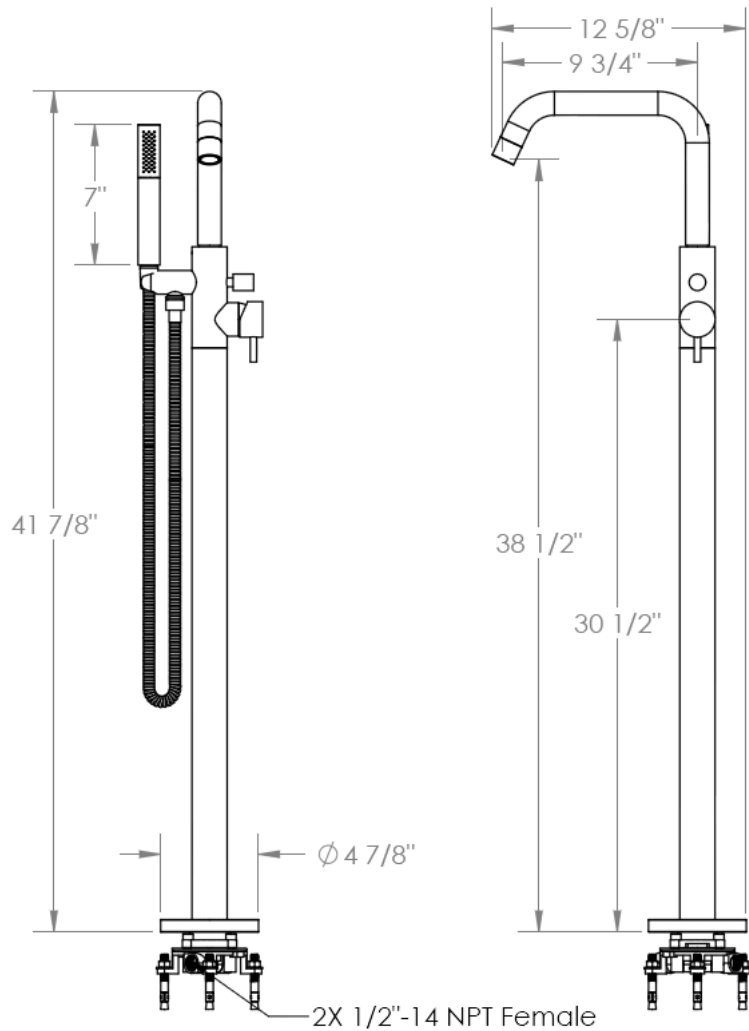
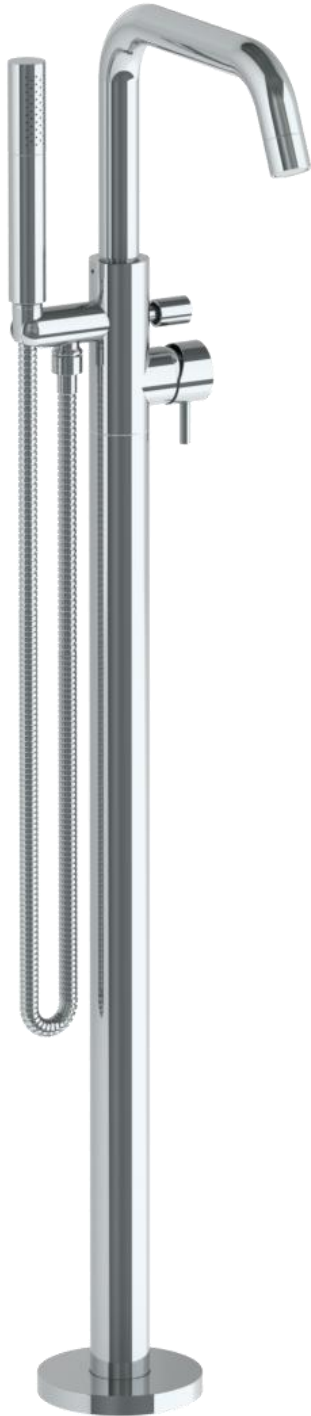
23-8.8-L8

Floor Mounted Tub Filler with Hand Shower

Requires: SS-248.8FLR-RGH concealed rough.

Hand Shower Flow Rate: 1.75 GPM

Note: Some building codes require remote pressure balance valves, such as our SS-PB50, for anti-scald.



Meets the applicable requirements of ASME A112.18.1-2005/CSA B125.1-05, entitled "Plumbing Supply Fittings".