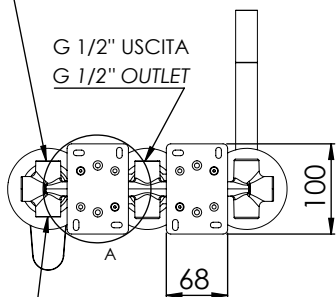
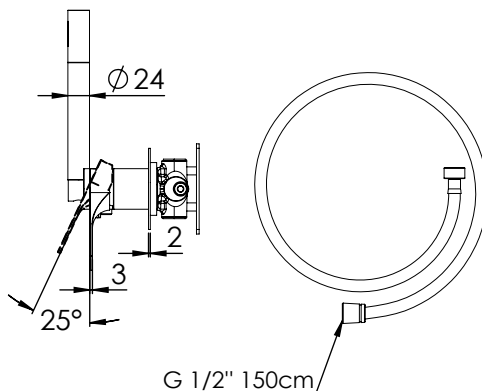


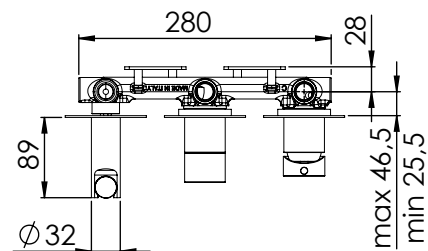
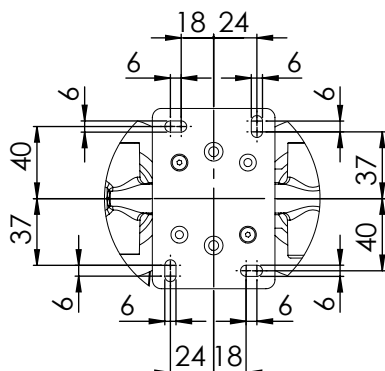
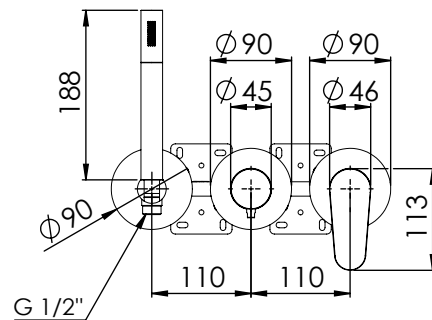
G 1/2" INGRESSO ACQUA FREDDA
G 1/2" COLD WATER INLET



G 1/2" USCITA
G 1/2" OUTLET



G 1/2" INGRESSO ACQUA CALDA
G 1/2" HOT WATER INLET



MATERIALI / MATERIALS

OTTONE CROMATO / CHROME PLATED BRASS

CROMATURA / CHROME PLATING

UNI EN 248