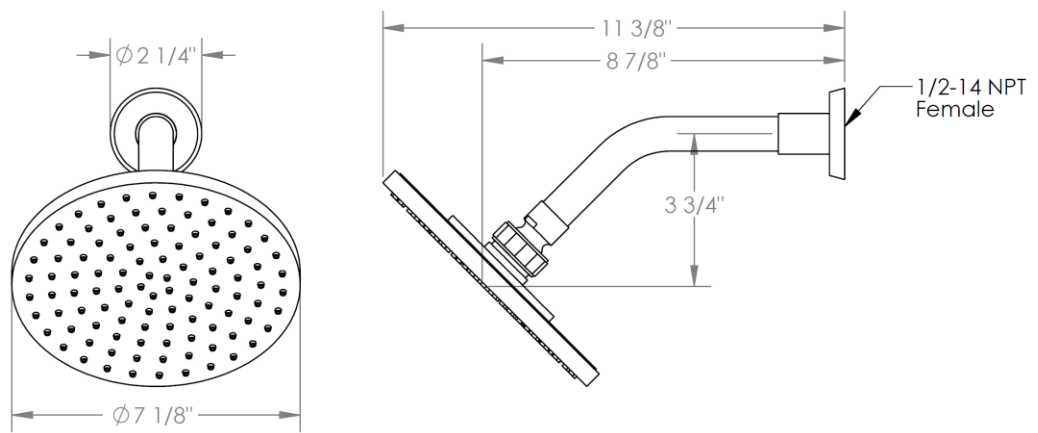


**37-HAF**

Wall Mounted Showerhead with 7" Arm and Flange

Flow Rate:1.75 GPM



Meets the applicable requirements of ASME A112.18.1-2005/CSA B125.1-05, entitled "Plumbing Supply Fittings"