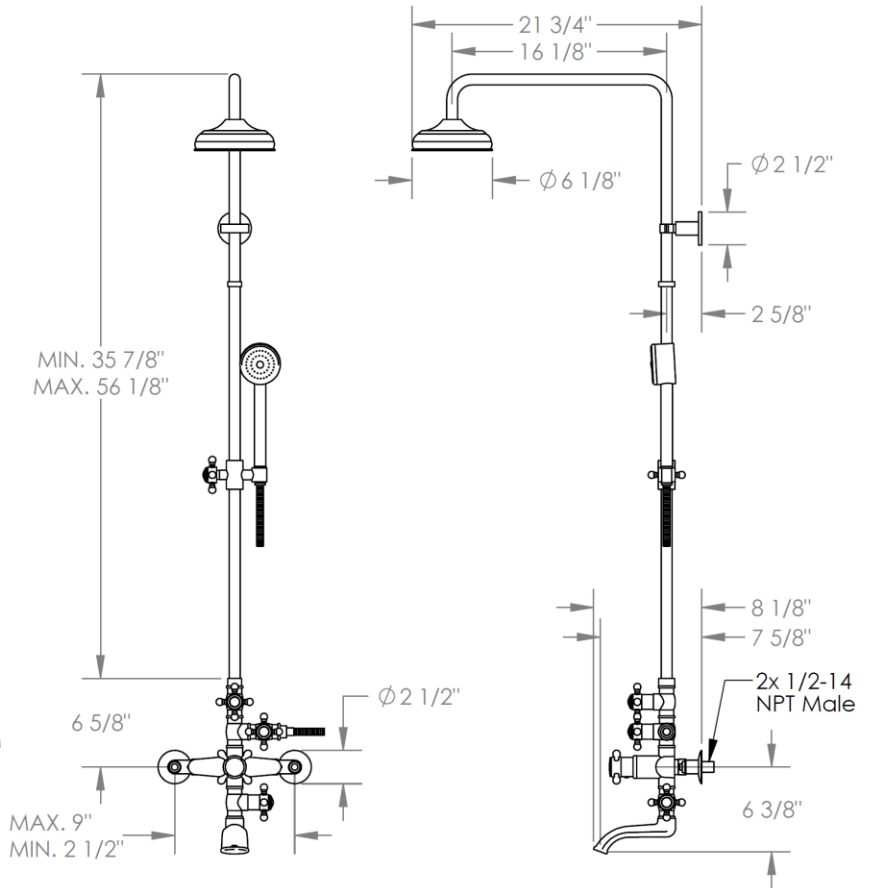


206-EX9500-

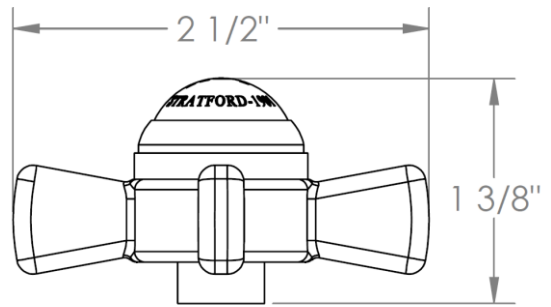
Wall Mounted Exposed Thermostatic Tub Shower Set with Hand Shower
Shower/Hand Shower Flow Rate: 1.75 GPM



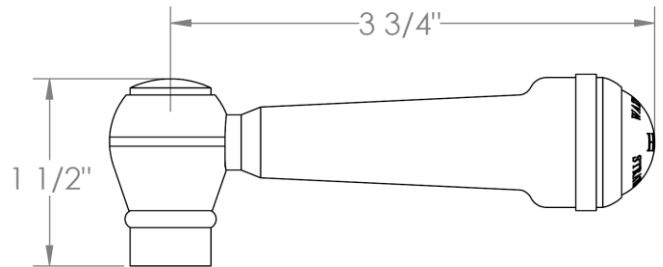
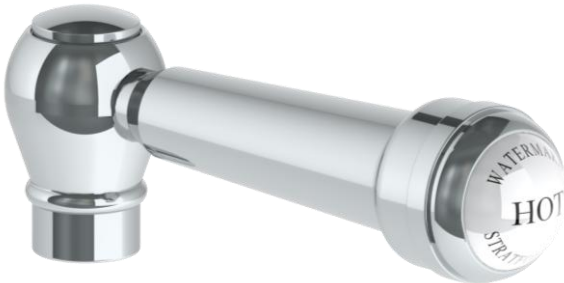
Meets the applicable requirements of ASME A112.18.1-2005/CSA B125.1-05, entitled "Plumbing Supply Fittings"

HANDLE TRIM OPTIONS

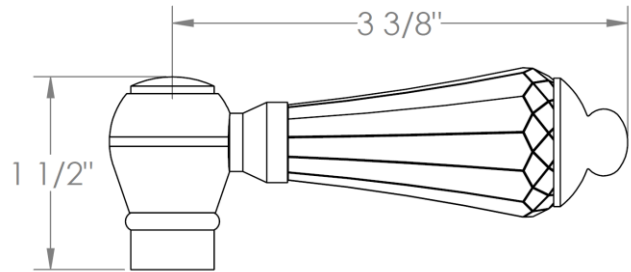
S1 - PRESTON



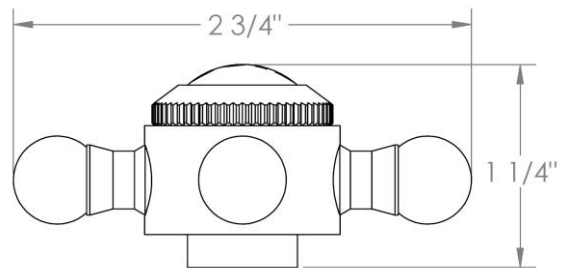
S2 - WALTHAM



SWA - DARIEN



V - WALES



S1A – NOTTINGHAM

