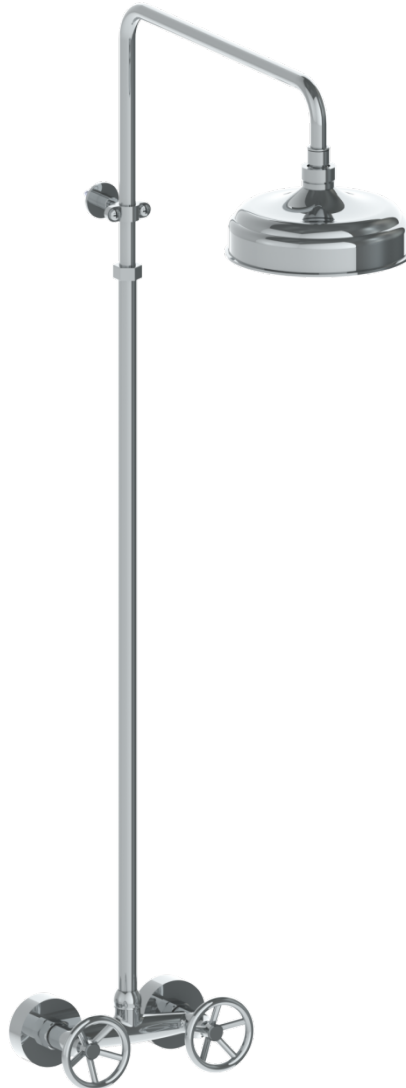


WATERMARK

MADE IN BROOKLYN, NEW YORK

INSTALLATION INSTRUCTION

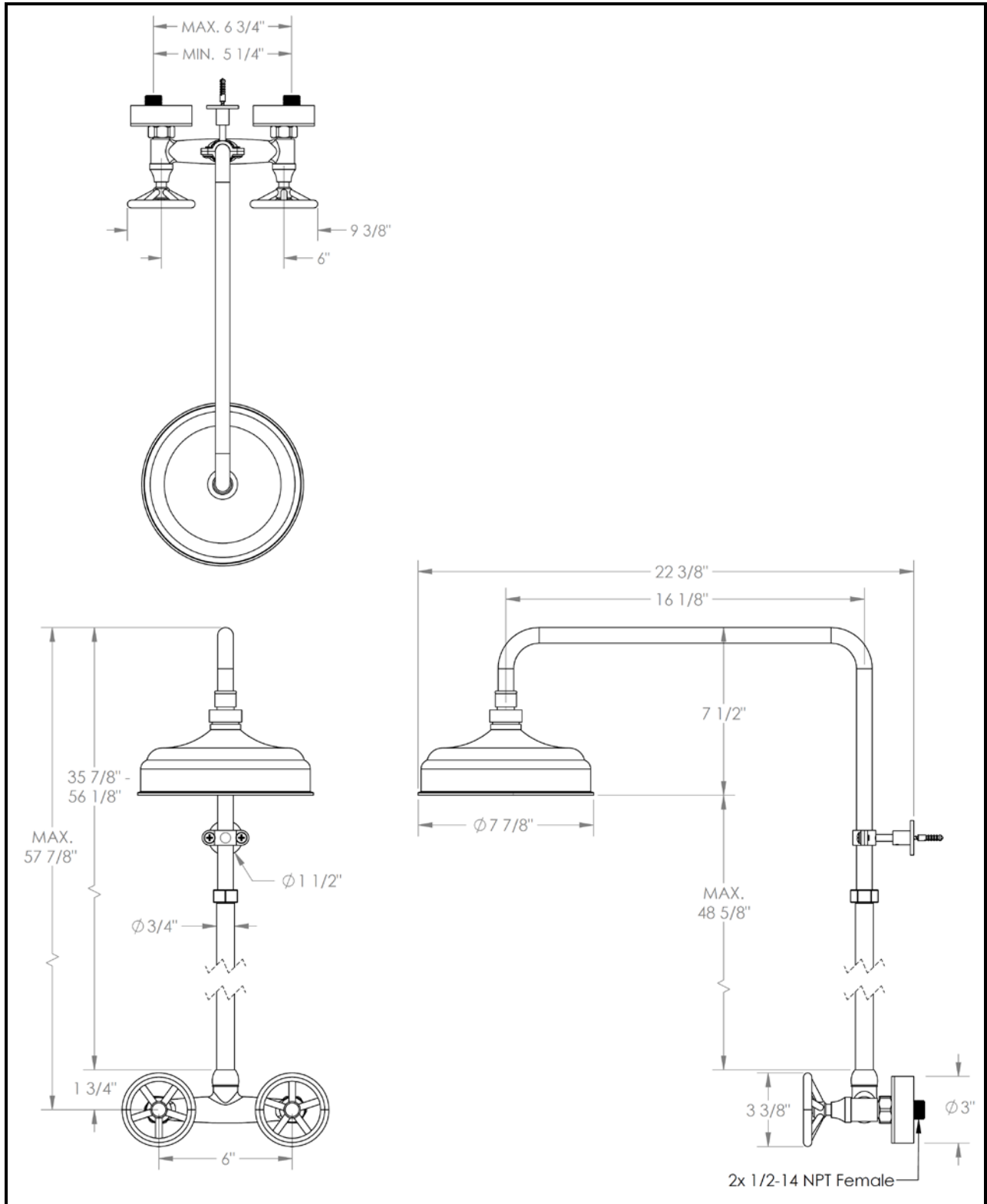


Exposed Shower System 31-6.1

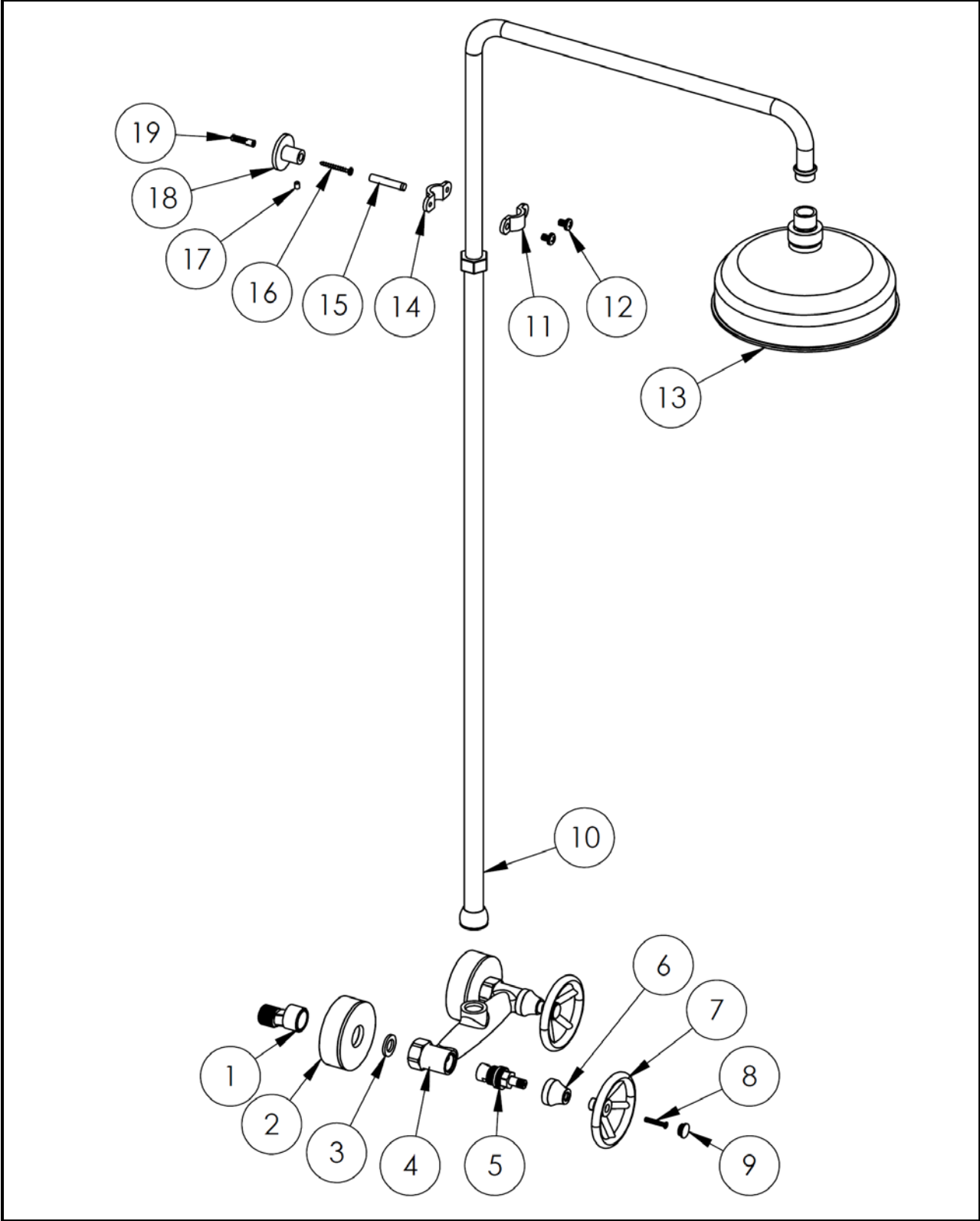


ASME A1 12.18.1
NSF61
CAS B125.1

DIMENSIONS (Shown below is 31-6.1)



PARTS BREAKDOWN



PARTS BREAKDOWN (CON'D)

ITEM NO.	PART NUMBER	QTY
1	38-2.25-SPPLY-ADAP	2
2	31-6.1-FLNG	2
3	24-7.7-GSKT	2
4	24-7.7-BODY	1
5	CRT-502	2
6	24-7.7-CRT-ESC	2
7	BK-KNOB	2
8	CR-FHM1 0.164-32x1x1-S	2
9	BK-KNOB-CAP-R2	2
10	EX9500-RSR	1
11	EX9500-RSR-SEAT-FRNT-BRCKT	1
12	CR-PHMS 0.25-20x0.375x0.375-S	2
13	SH-RH075-BODY	1
14	EX9500-RSR-SEAT-BACK-BRCKT	1
15	EX9500-RSR-SEAT-STEM	1
16	#8- 1.5-IN-DRYWALL-SCRW	1
17	B18.3.6M - M5 x 0.8 x 8 Hex	1
18	EX9500-RSR-SEAT-BASE	1
19	AF6 WALL ANCHOR	1

INSTALLATION INSTRUCTIONS

ATTENTION

1. The cartridges in the main body have been tested and adjusted by the factory. DO NOT take the cartridges apart.
2. Ensure to clean water supply pipe before installation to avoid clogging.

TO KEEP THE QUALITY OF THE FAUCET PLEASE FOLLOW THESE INSTRUCTIONS

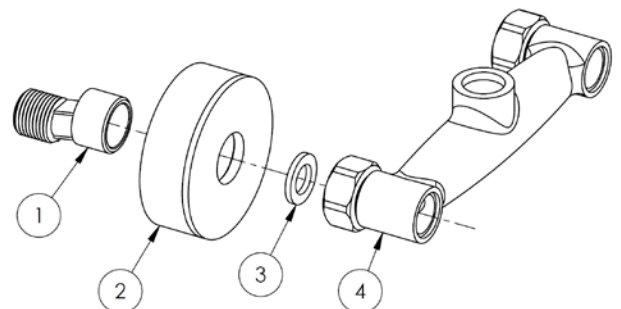
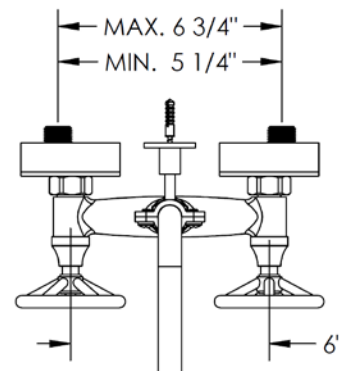
- Avoid contact with newly applied paint, thinner or other harsh solvents.
- To clean, wipe your faucet with a soft cloth dampened with mild soapy water or a citrus based furniture polish. For chrome and nickel finishes, a chrome cleaner can also be used every few weeks.
- Do not use any harsh chemical cleaners or any product with ammonia.
- Avoid contact with cosmetic products, such as shaving cream, nail polish removers, or colognes.
- It is important that you keep your hardware dry. Elements in water remaining on the faucet can break down the finish. Pay special attention to area where water can settle such as the mouth of the spout and around the base of the handles.

STEP (1)

Choose desired position to install the mixer body, note the center to center distance of the in-wall supply connection should fall in the range between 5 1/4" and 6 3/4"

Thread the flange (2) through the supply adapter (1) until flush with the finished wall. Next, attach the gasket (3) to the nut located on the end of the mixer body (4), and tighten the nut over the flange (2). After tightening the nut of both the hot and cold supply over the flange (2), verify the stability of the mixer body (4).

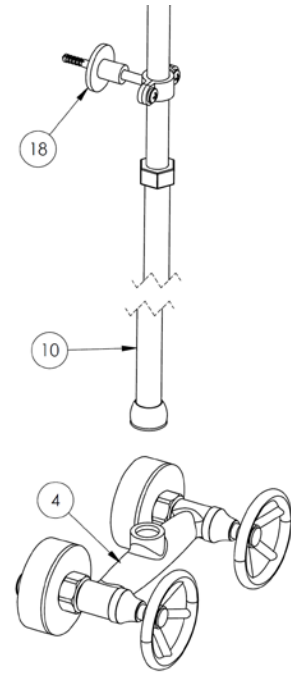
Note: It is recommended that the in-wall supply adapter be set back from the finished wall, and this distance should fall within a range of $\pm 1/8"$.



STEP (2)

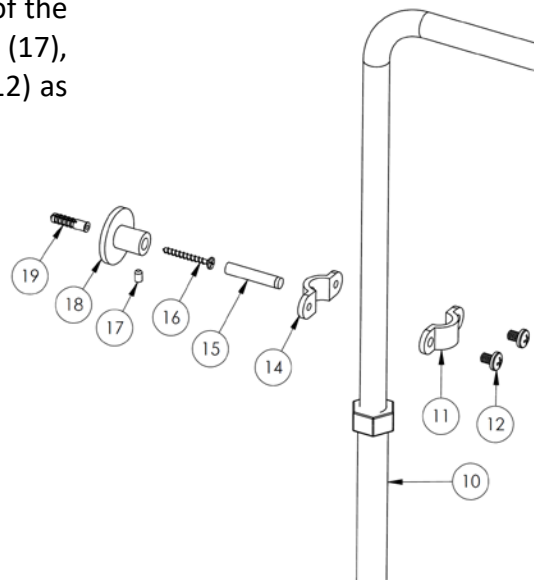
Choose desired height of the shower/rain head (13), and then align the riser (10) with the mixer body (4) to mark the location to install the riser seat base (18).

With location of the riser seat base (18) determined above, drill a hole in the wall for the wall anchor (19). Hammer the wall anchor (19) into place. Install the riser seat base (18) to the wall using the screw (16)



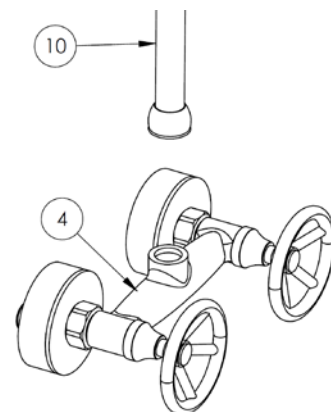
STEP (3)

Based on the diagram below, assemble the rest of the riser seat components (11), (12), (14), (15), (16), (17), with the riser (10). DO NOT tighten the screws (12) as yet.



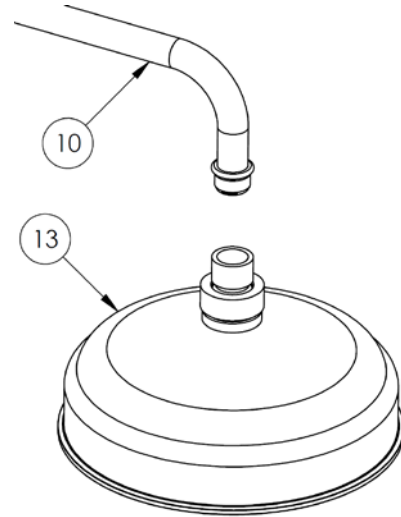
STEP (4)

Tighten the riser (10) to the mixer body (4), with the riser nut at the end and located between them. Go back to STEP (3) and tighten screws (12) to secure the riser position. Verify stability of the mixer body (4) as well as the riser (10).



STEP (5)

Install shower/rain head (13) into the riser (10) using a crescent wrench or fitting wrench. Verify the stability of the entire system.

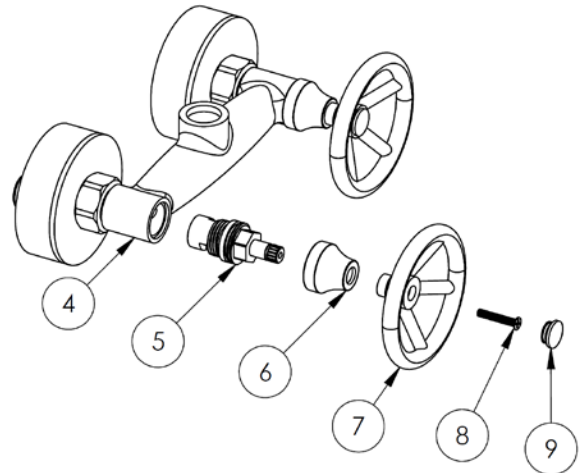


STEP (6)

Check for leakage and stability issues before use.

Cartridge Installation

Thread the 502 cartridge (5) into the mixer body (4), and fit the cartridge escutcheon (6) through the 502 cartridge (5) to thread it onto the mixer body (4).



IMPORTANT INSTALLATION INFORMATION

- USE TEFLON TAPE OR PIPE SEALANT FOR THREADED CONNECTIONS
- DO NOT USE PLUMBER'S PUTTY ON ANY OF THE BRASS COMPONENTS
This will cause the finish to tarnish and void the warranty. A non-corrosive Alkoxy Silicone is recommended.
- DURING SWEATING OF LINES DO NOT OVERHEAT CASTING
Overheating may cause damage to internal mechanism
- COPPER ADAPTORS MAY BE REQUIRED TO COMPLETE YOUR INSTALLATION

For technical support, please call 718-257-2800