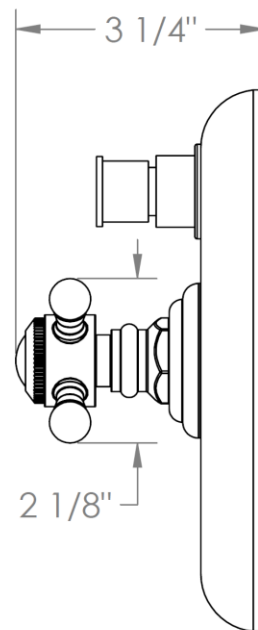
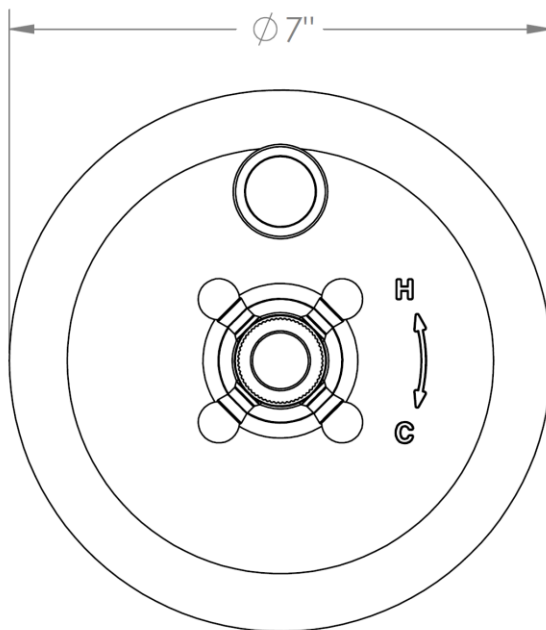


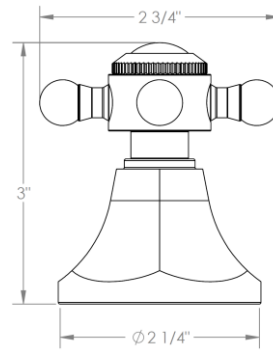
**312-P90-V**

Trim Kit for Pressure Balance Valve with Diverter  
For use with SS-PB85 concealed rough

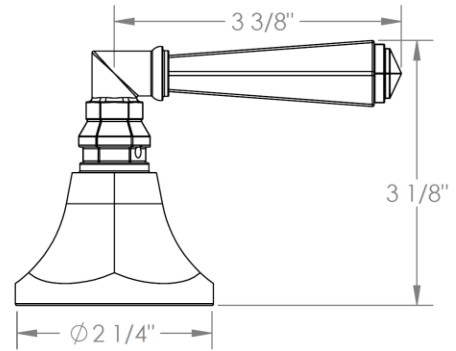


## Gramercy Handle Trim Options

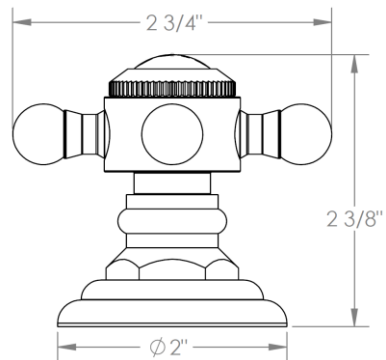
### X – OXFORD



### Y – LYONS



### V – WALES



### Y2 – WILLIAMS

