

PUPD17009035 piatto doccia/ shower tray

codice
code



Piatto doccia Puro+ h4 cm 170 X 90
Puro+h4 cm 170 X 90 shower tray.

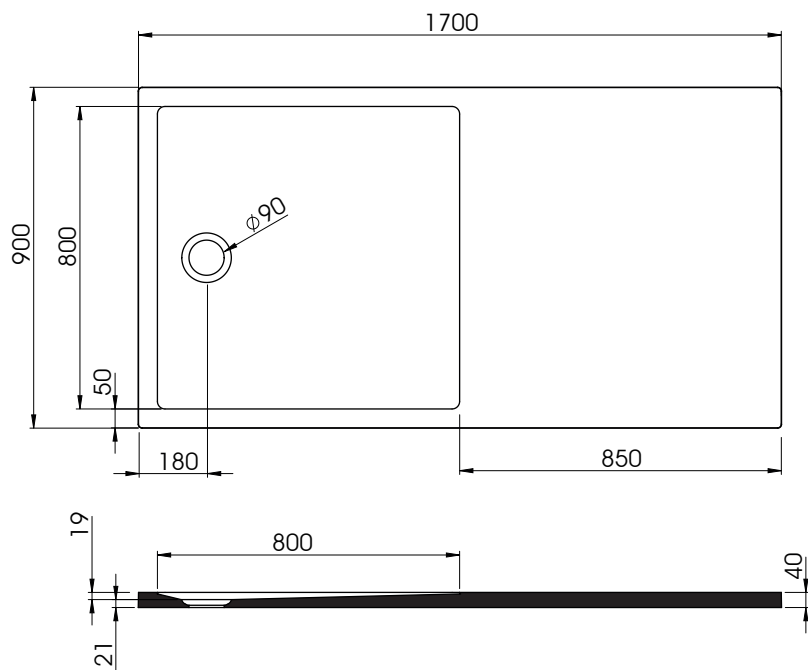
cotone/ cotton

PUPD17009035CT

CM 80x65xh3

scatole/box 1

kg 00



scala/scale 1:20 dimensioni/dimensions in mm

Complementi/complements:

Codice
code

Codice
code



Piletta doccia cromo 1" 1/4 di diametro (ø 90)
con tappo in ABS e completa di curva terminale.
1" 1/4 (ø 90) diameter waste system for shower tray
provided with ABS top and terminal bend.

SIF/FR



Piletta doccia 1" 1/4 di diametro (ø 90)
con tappo in ABS e completa di curva terminale.
1" 1/4 (ø 90) diameter waste system for shower tray
provided with ABS top and terminal bend.

SIF/FRC

Specificare il colore al momento dell'ordine
Specify the color when ordering

| | | | | |
|---|-----------------------------------|---------------------------|--|-------------------------|
| TECHNICAL SHEET n°: 01 | DESIGNER: OFFICINA AZZURRA | CODE: PUPD17009035 | Azzurra sanitari in ceramica S.p.a. via Civita Castellana snc 01030 Castel S.Elia (VT) - ITALY Tel.+39.0761 518155 Fax.+39.0761 514560 | |
| SHEET FORMAT: A4 | ISO | REVISION: 01 | SCALE: 1:20 | DATE: 03/10/2019 |
| REGULATIONS: EN 14527 / EN33 / Dop-14527 * | | | | |
| All the measurements respect the tolerances provided by the "AZZURRA QUALITY GUIDELINES". | | | | |



* Regulations here shown are exclusively referred to ceramic items