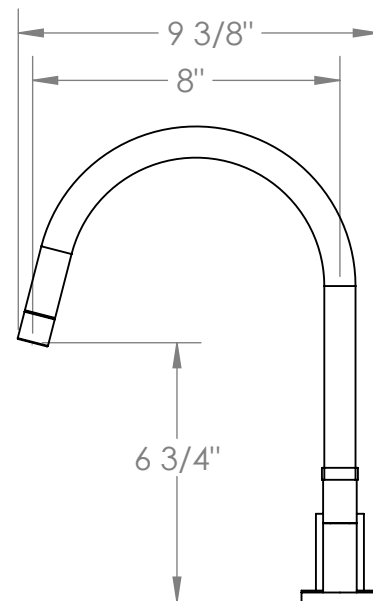
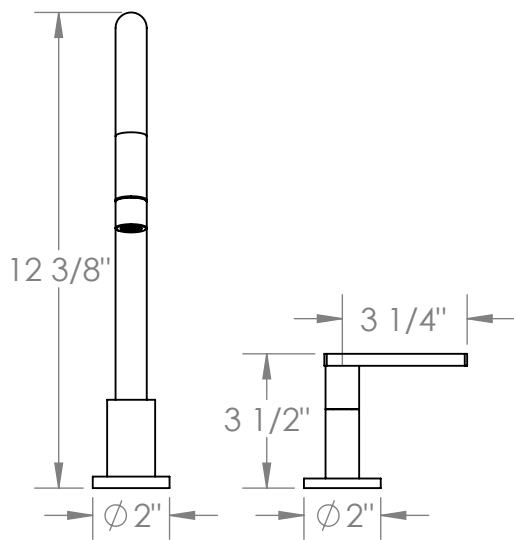


70-7.1.3G-RNS4

Deck Mounted 2 Hole Kitchen Set with Gooseneck Spout
Flow Rate: 1.75 GPM



Meets the applicable requirements of ASME A112.18.1-2005/CSA B125.1-05, entitled "Plumbing Supply Fittings"