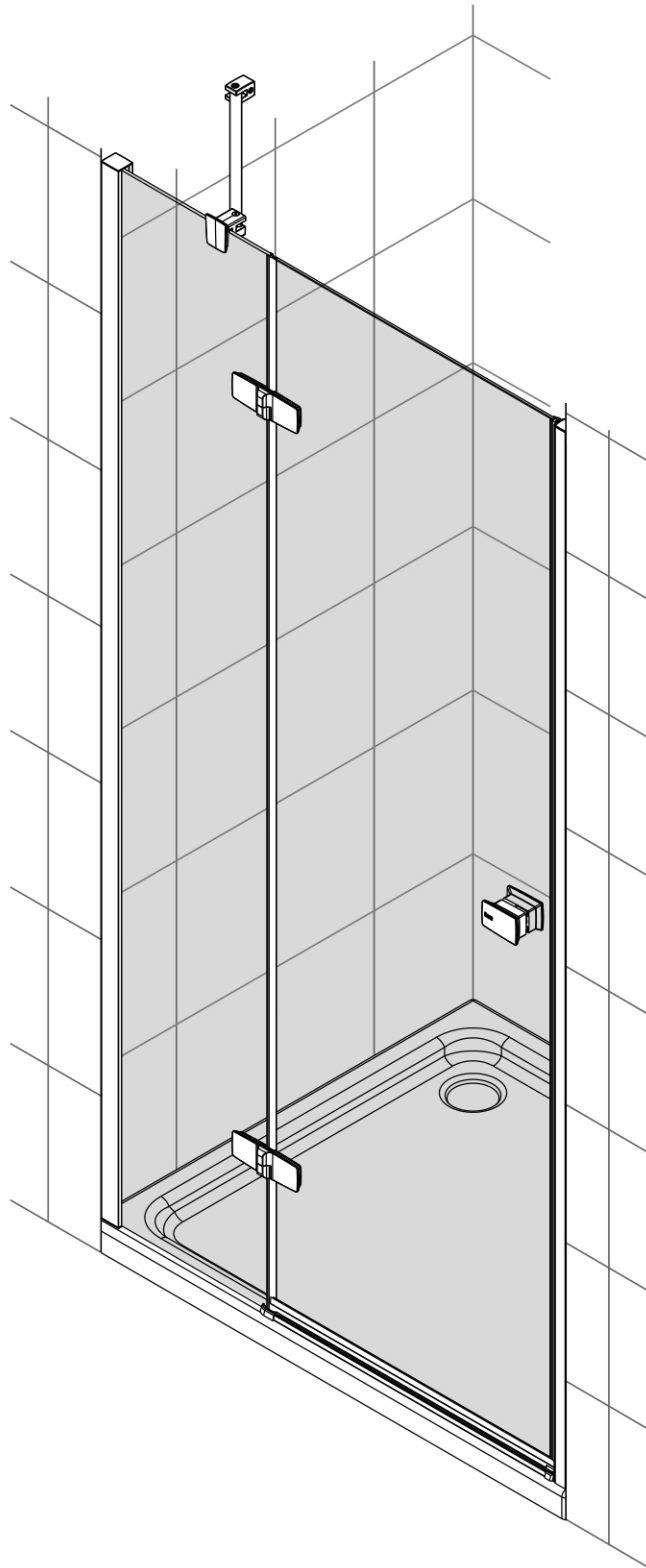


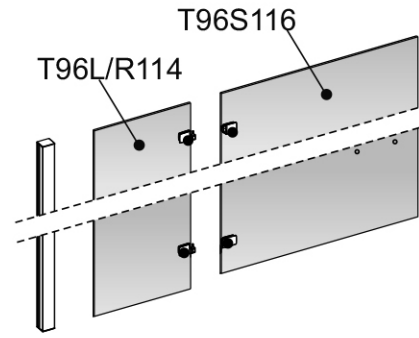
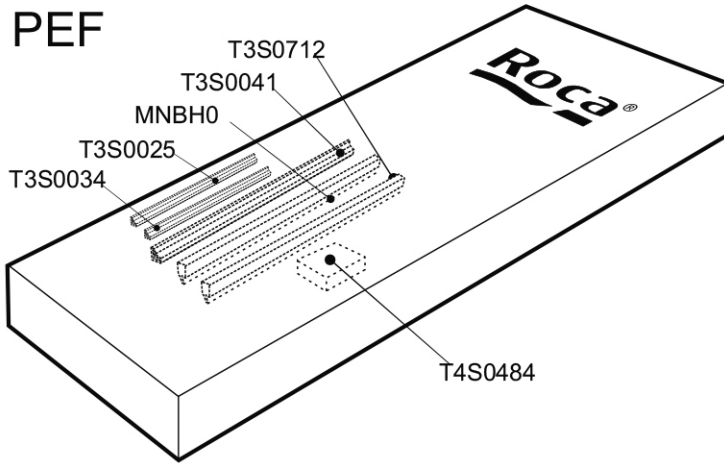


Roca










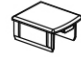













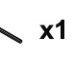


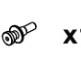

VELA PEF



PEF



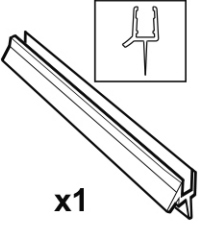
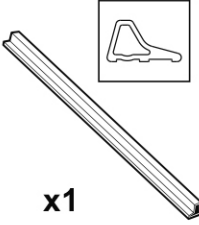
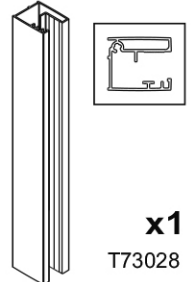
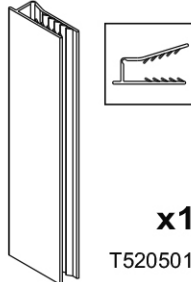
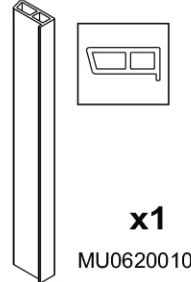
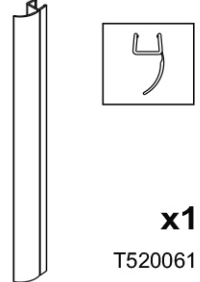
T4S0484

T200002	 x 8	 Ø6 x 8	 Ø9 x 8							
T200027	 x 4	 x 4	 Ø 3 x 1							
T200029	 x 1	 x 1	 x 1	 x 1						
T200035	 x 1	 x 1								
T200038	 x 2	 x 2								
T200213	 x 1	 x 1	 x 1	 x 1	 x 1	 x 1	 x 1	 x 1	 x 1	 x 1
T4S0483	 x 1	 x 1	 x 1							
AM90605400	 x 1									

T3S0712

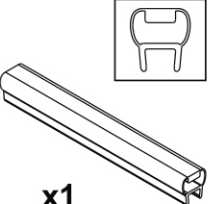
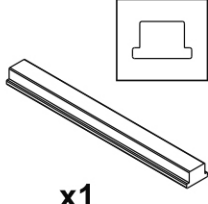
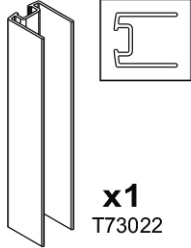
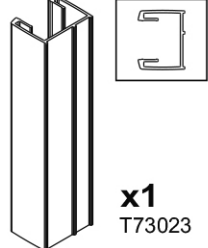
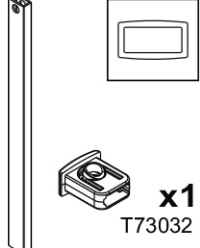
MNBH0

T3S0041

 x1 T520506	 x1 T73038	 x1 T73028	 x1 T520501	 x1 MU0620010	 x1 T520061
--	--	--	---	---	---

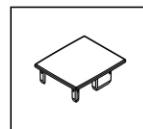
T3S0025

T3S0034

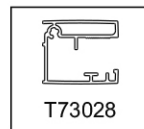
 x1 T520084	 x1 T520509	 x1 T73022	 x1 T73023	 x1 T73032
---	---	--	---	--

1

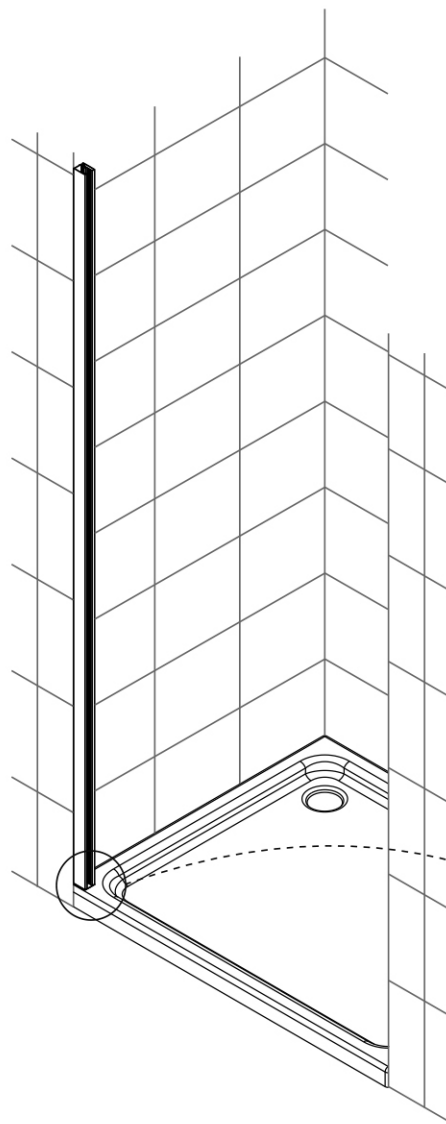
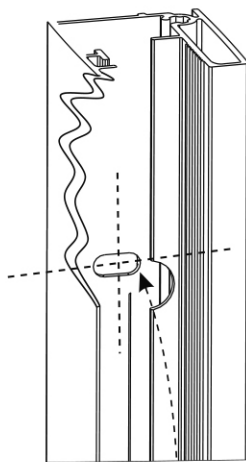
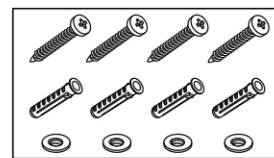
T200038



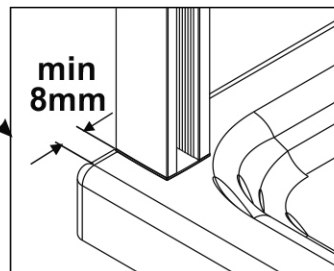
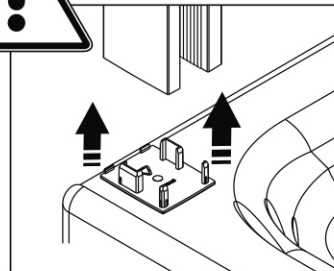
MNBH0



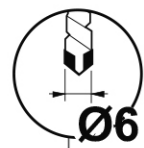
T200002



1

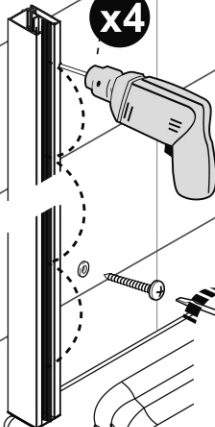


min 8mm



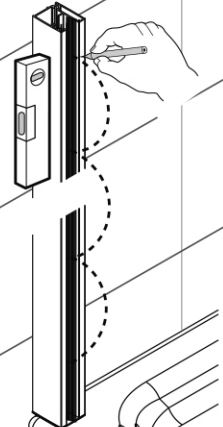
Ø6

x4



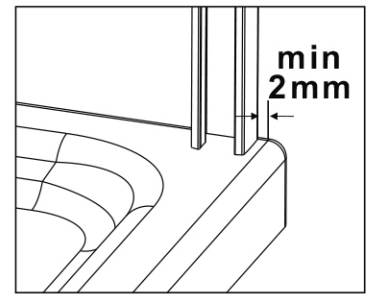
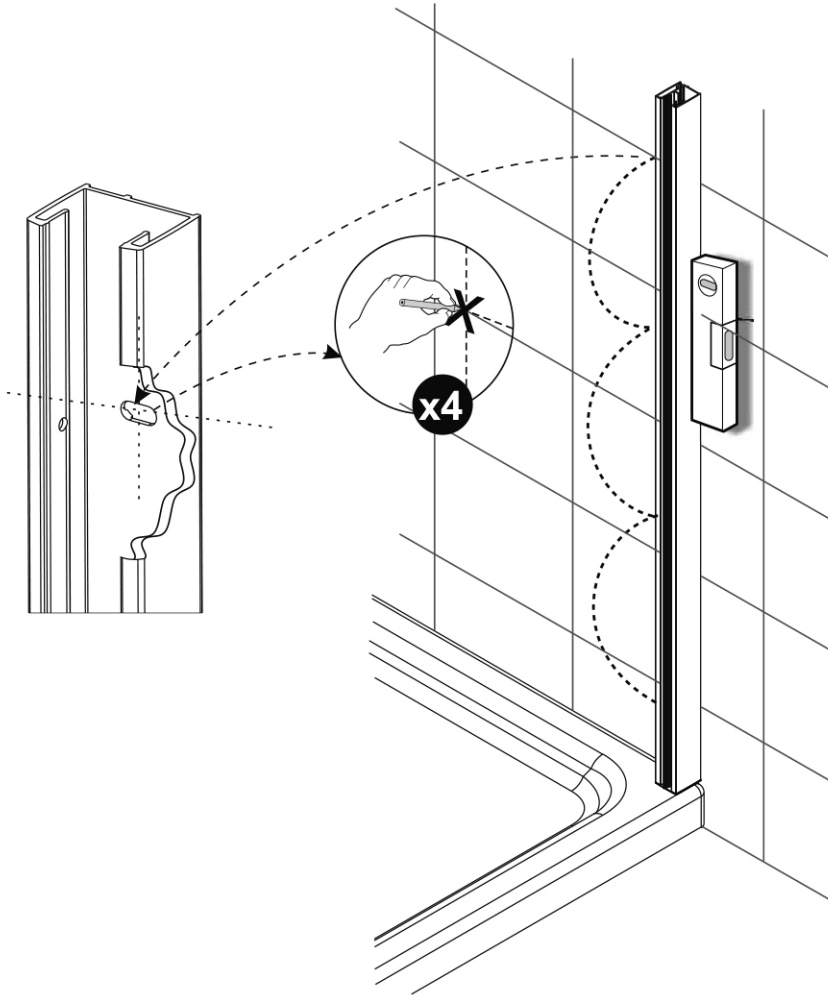
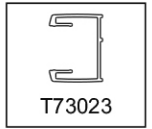
2

x4



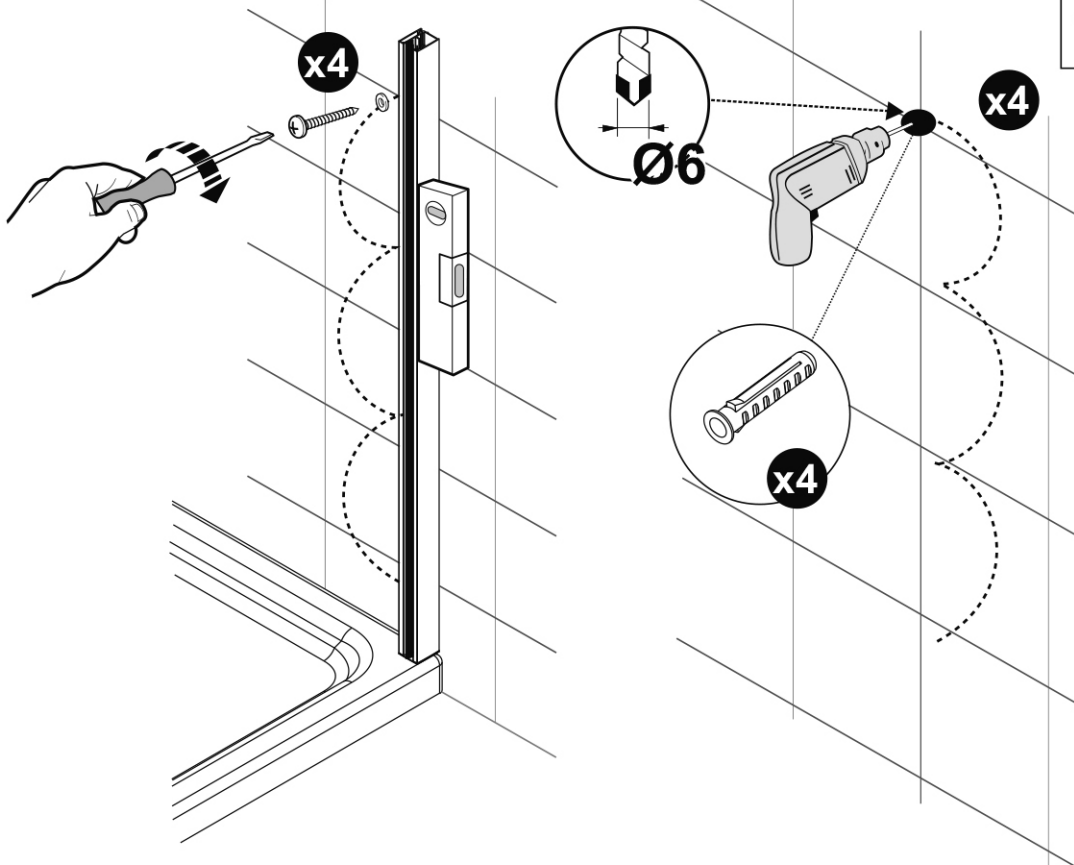
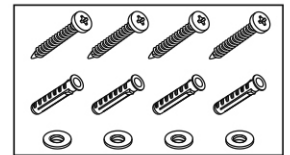
2

T3S0025



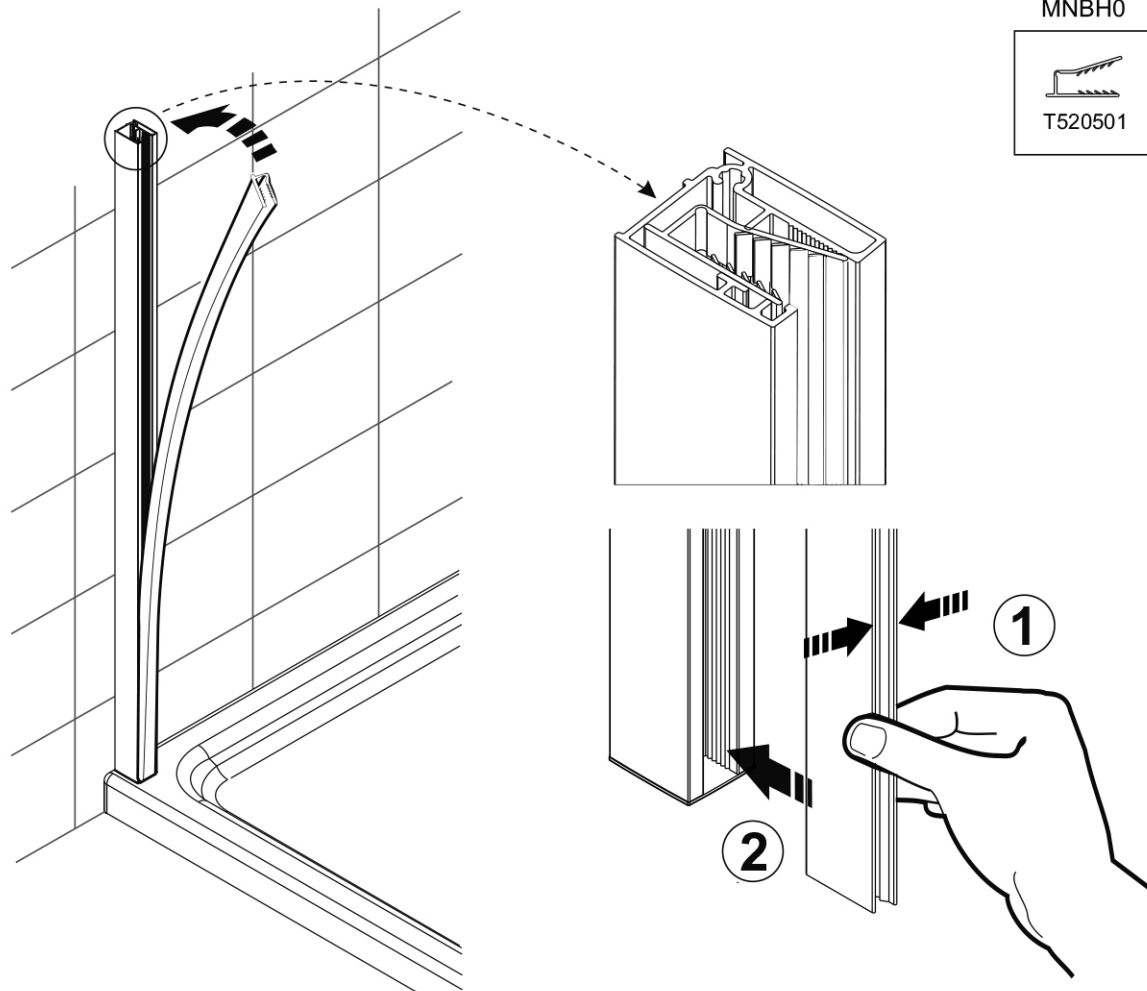
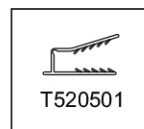
3

T200002



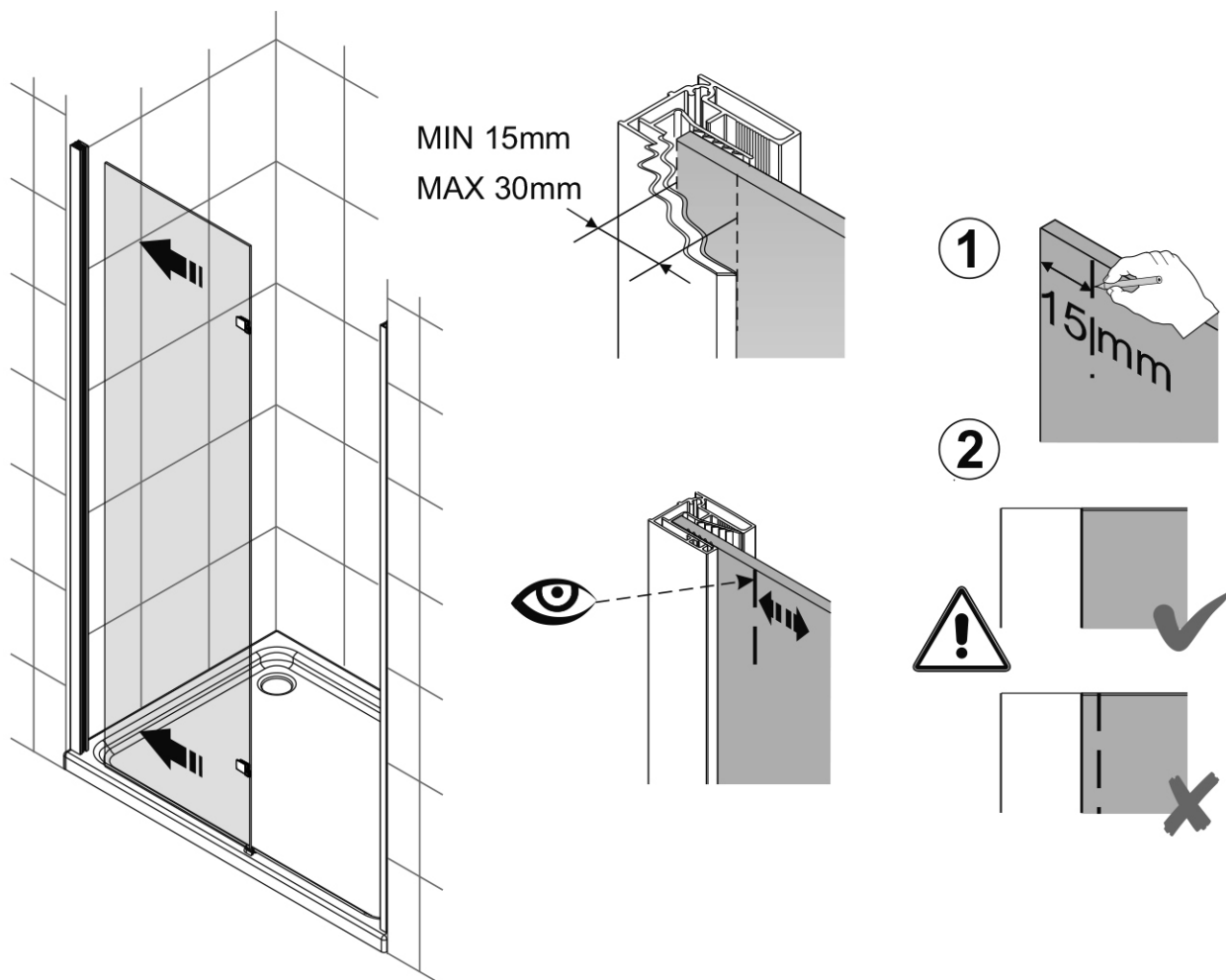
4

MNBH0



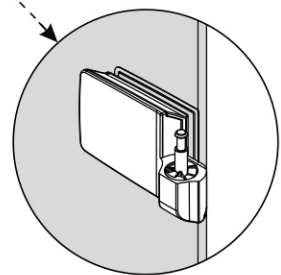
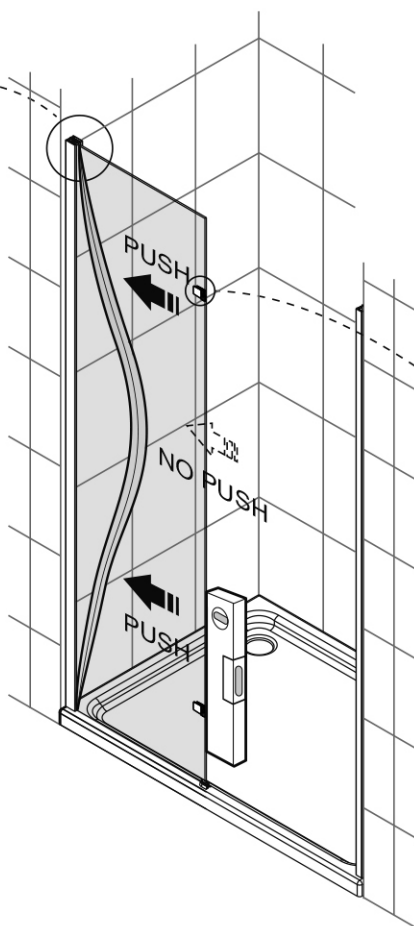
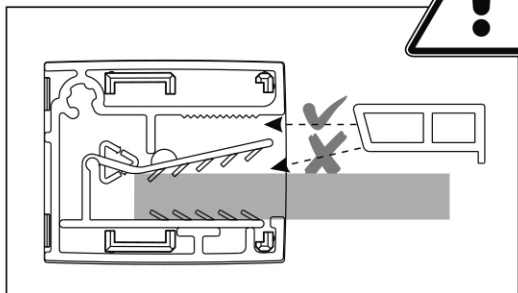
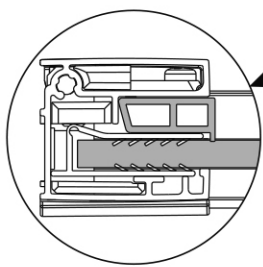
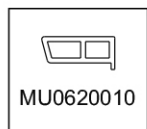
5

MIN 15mm
MAX 30mm



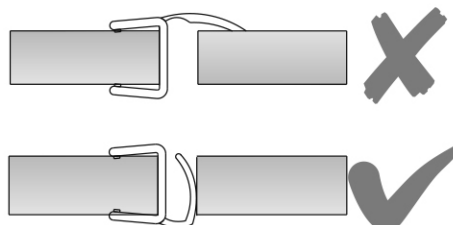
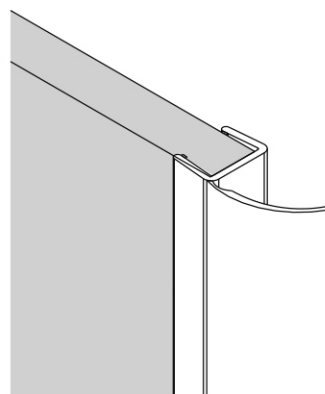
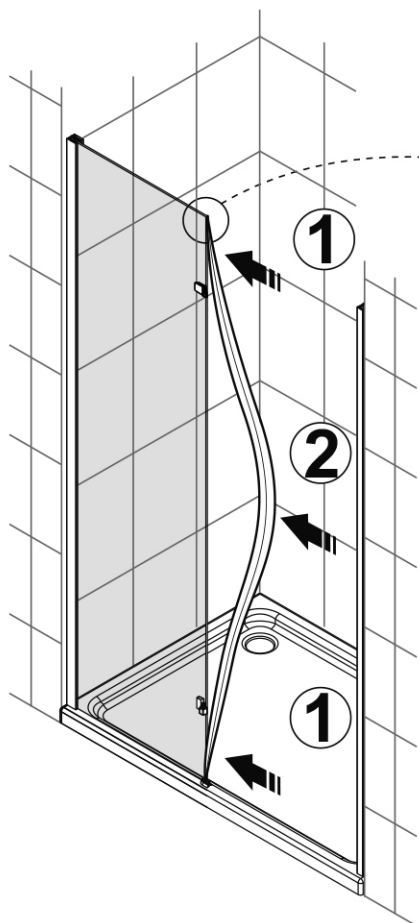
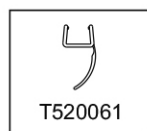
6

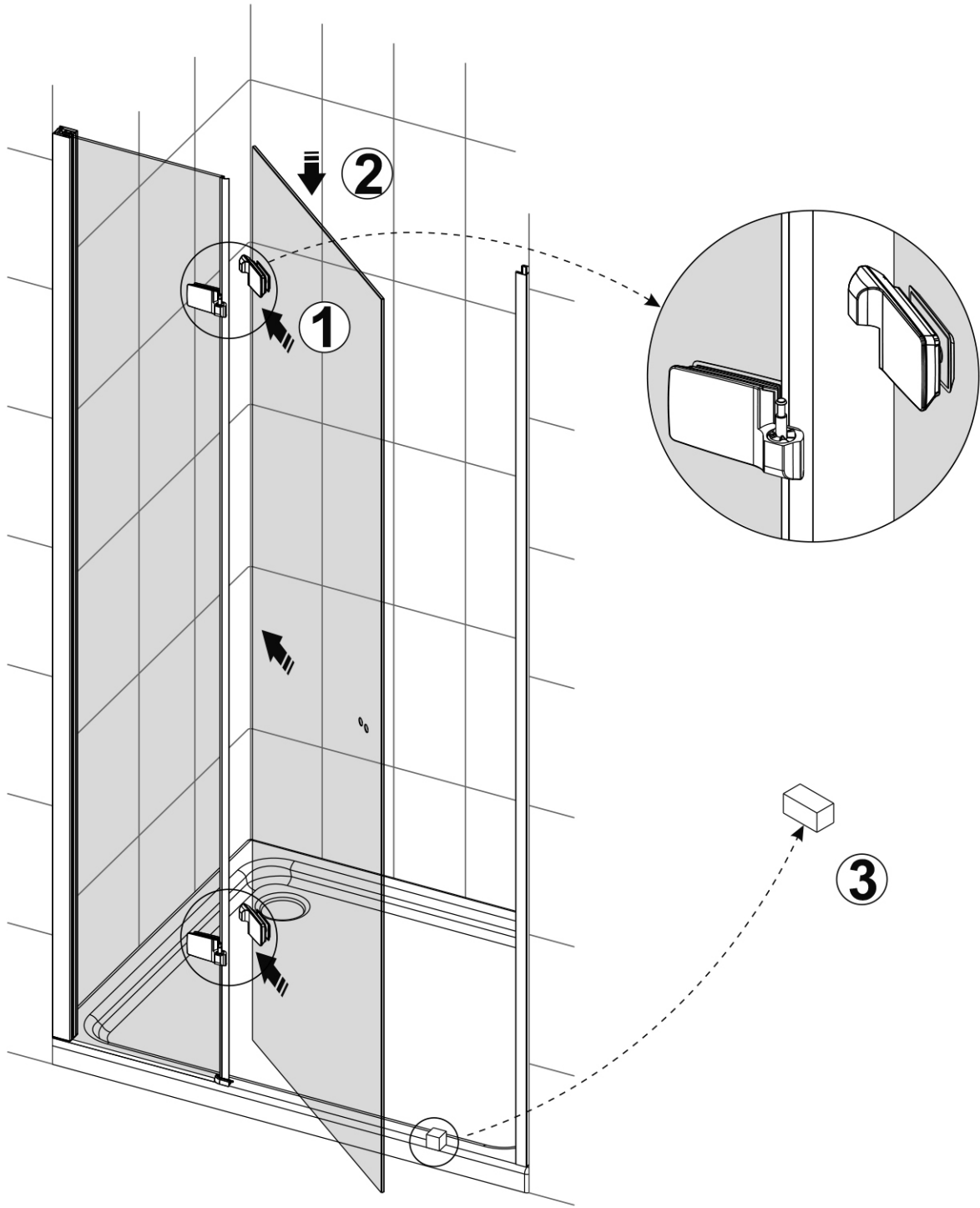
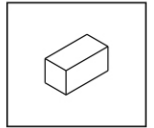
MNBH0

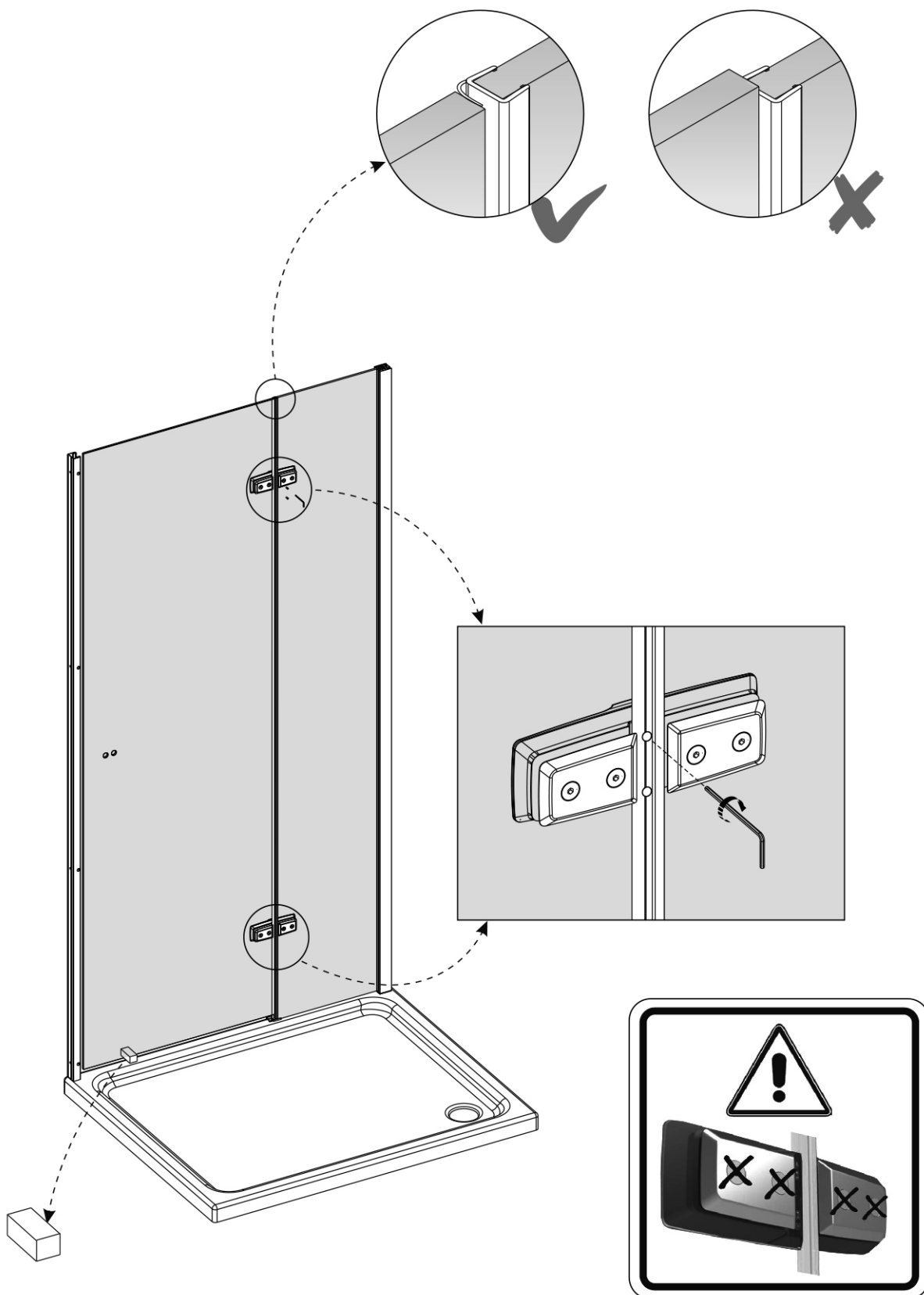
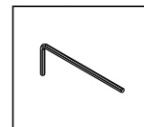


7

T3S0041

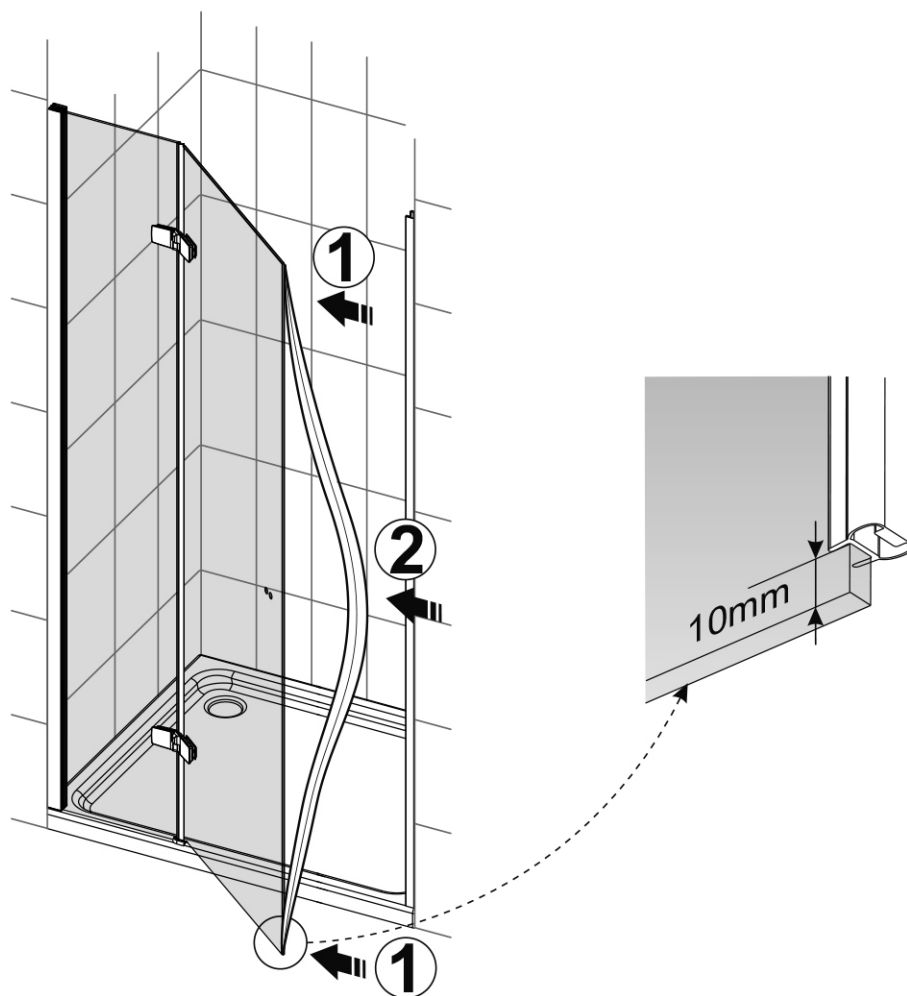
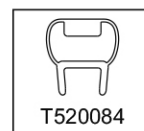






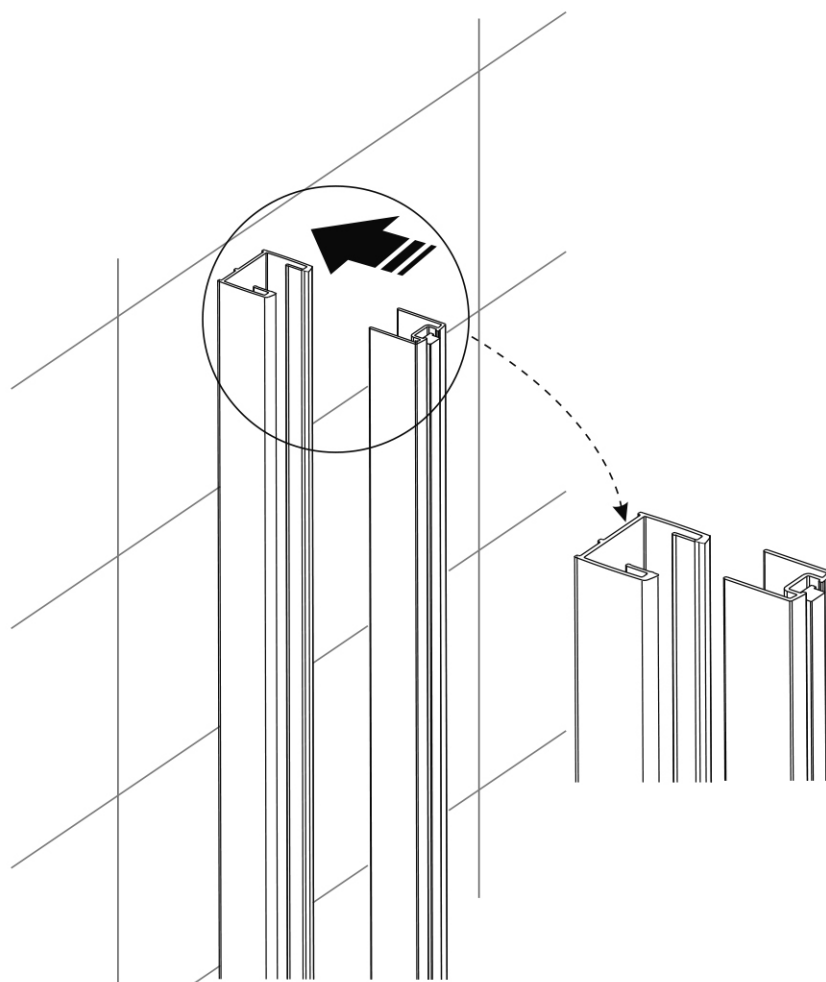
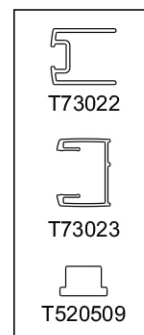
10

T3S0025

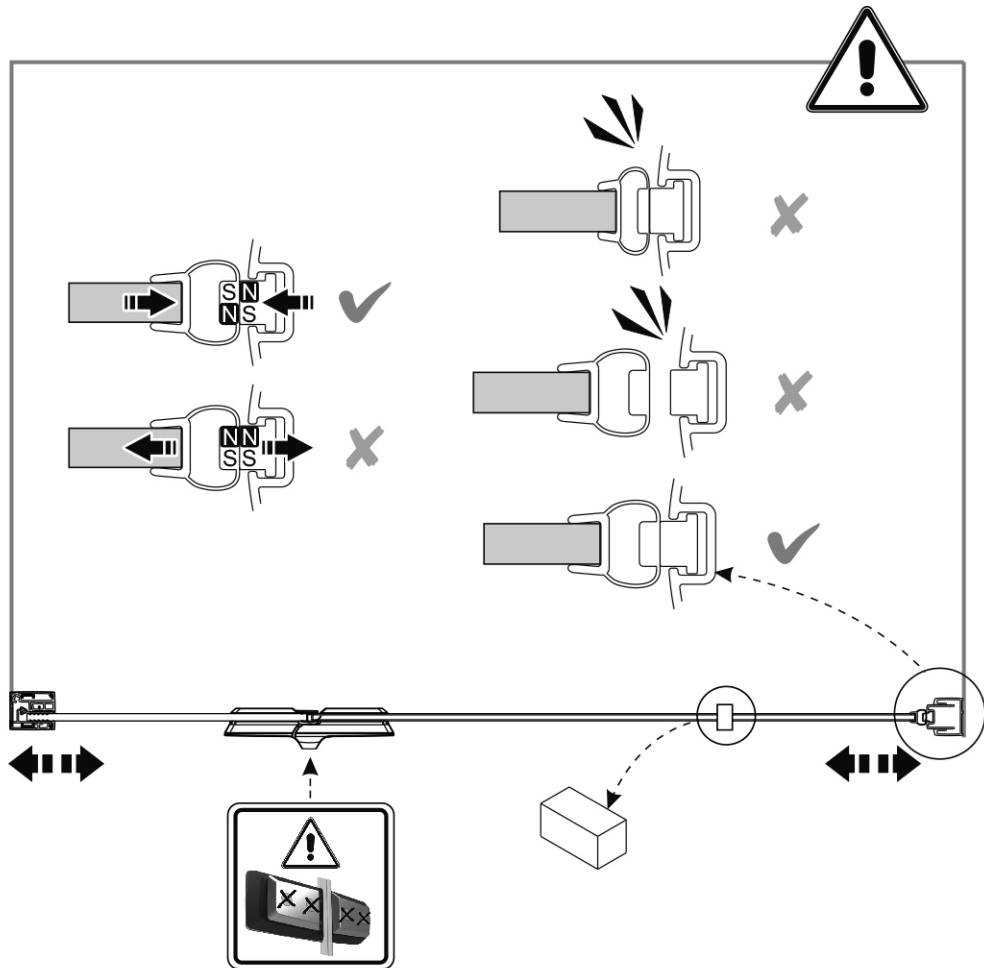


11

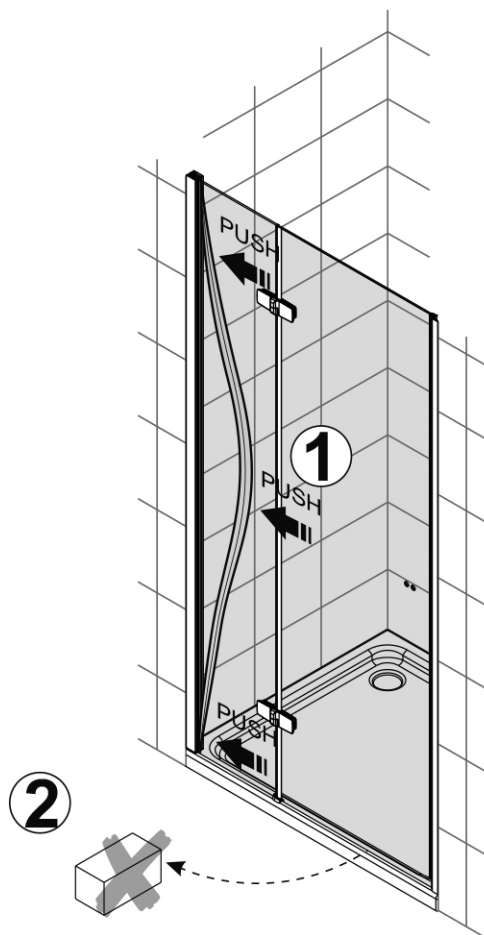
T3S0025



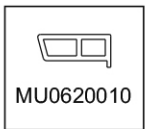
12



13

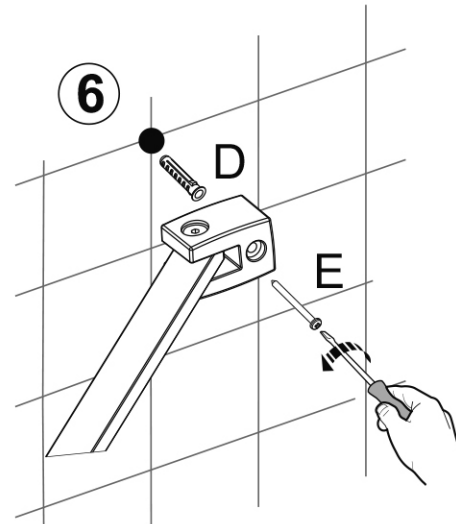
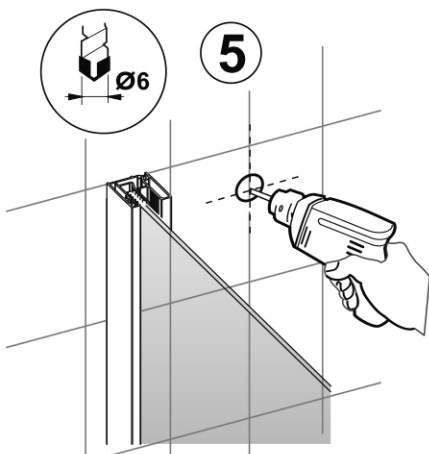
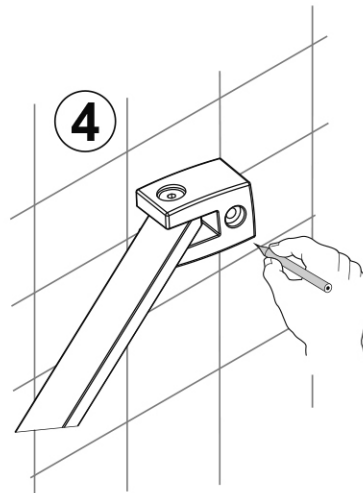
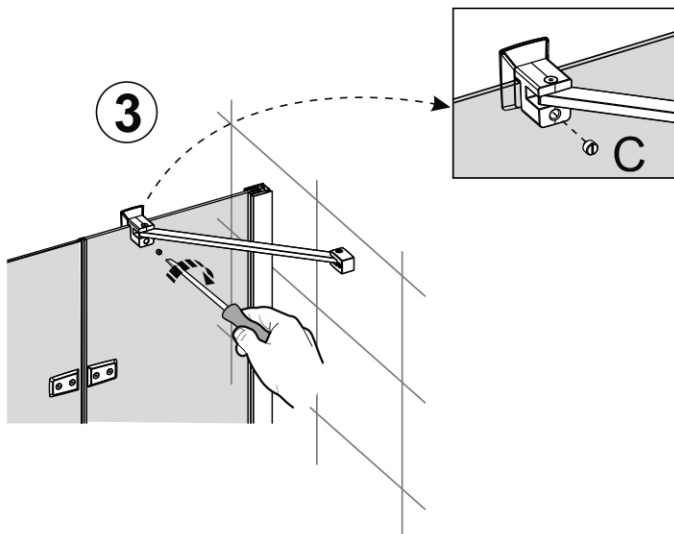
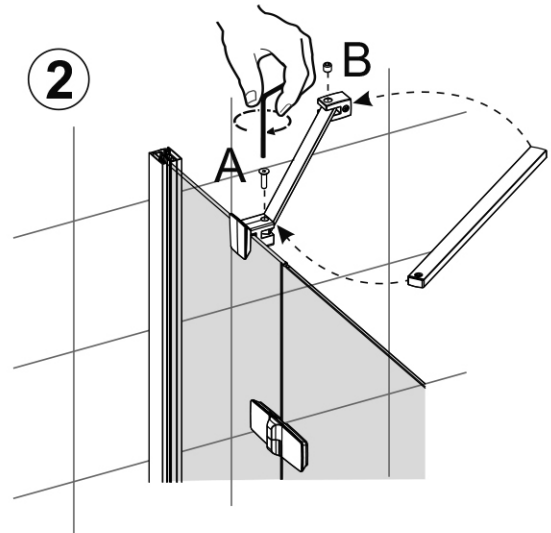
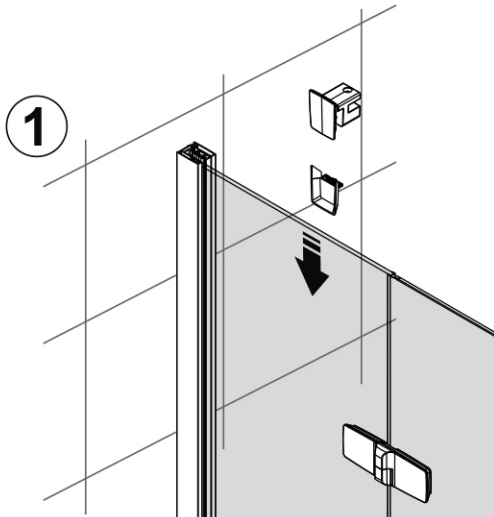
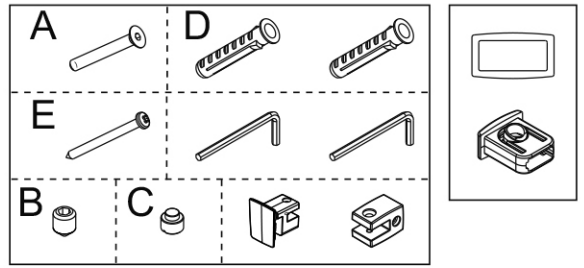


MNBHO

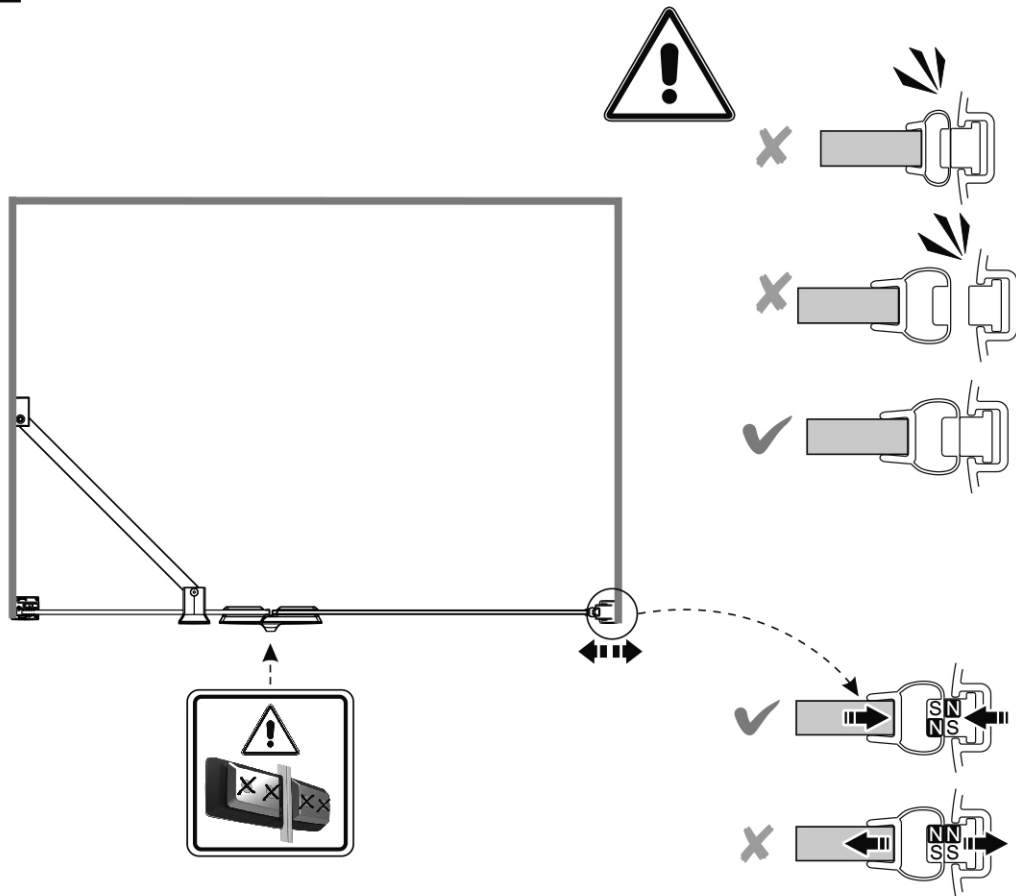


T200213

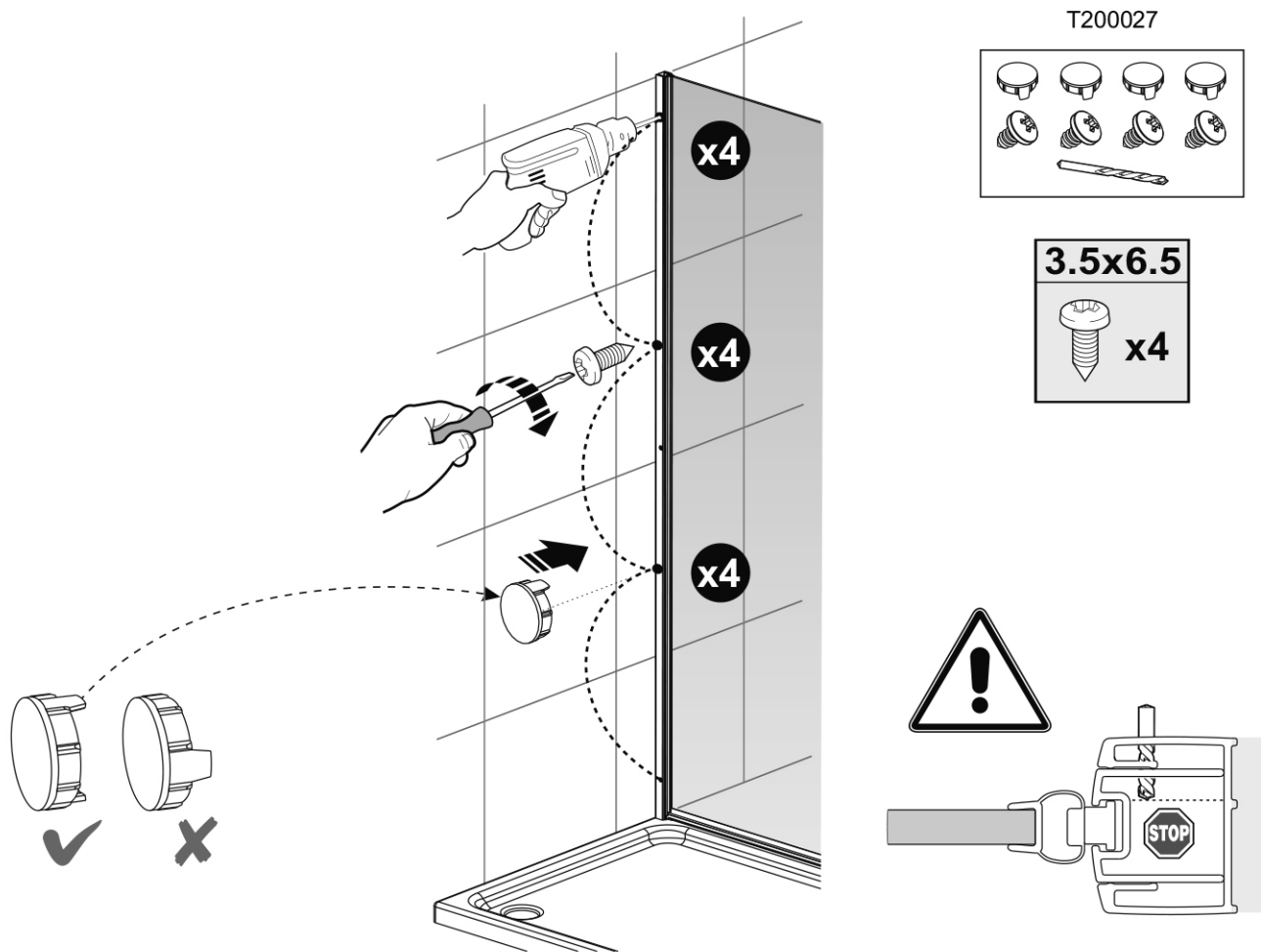
T3S0034



15

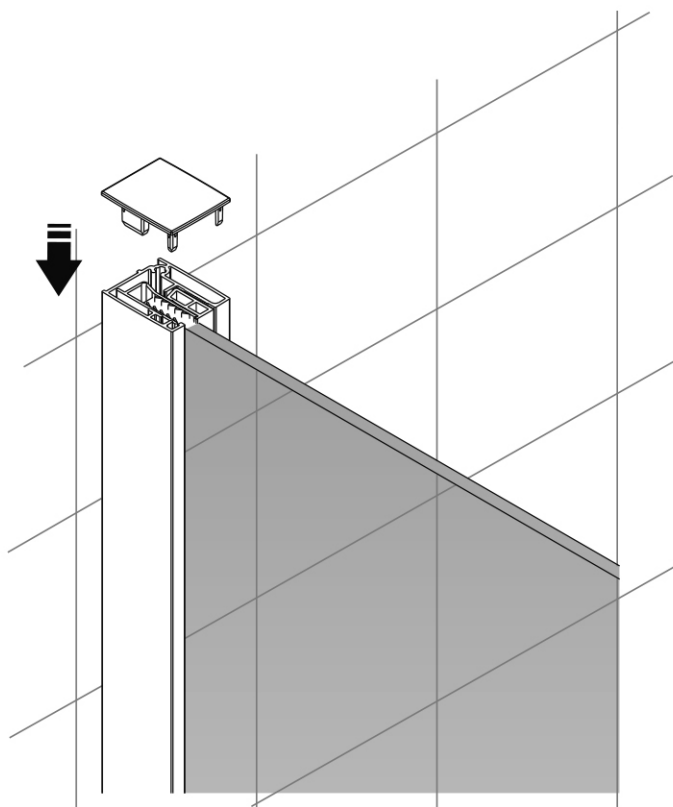
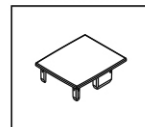


16



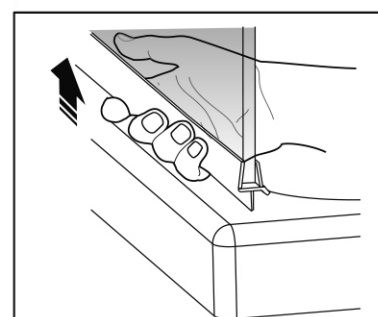
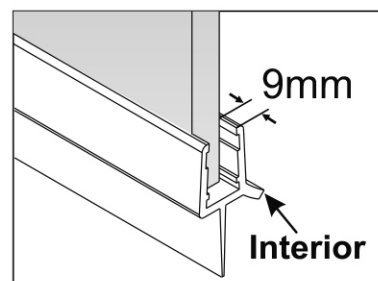
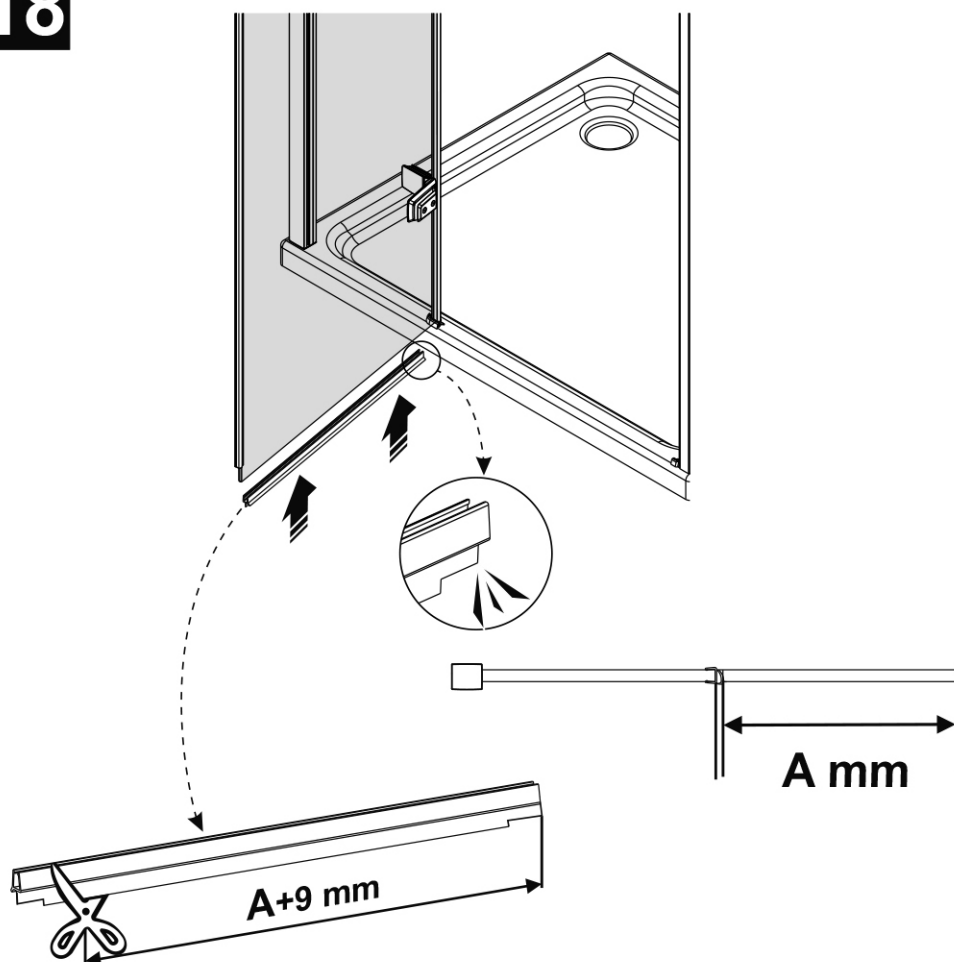
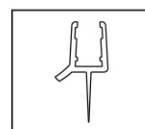
17

T200038



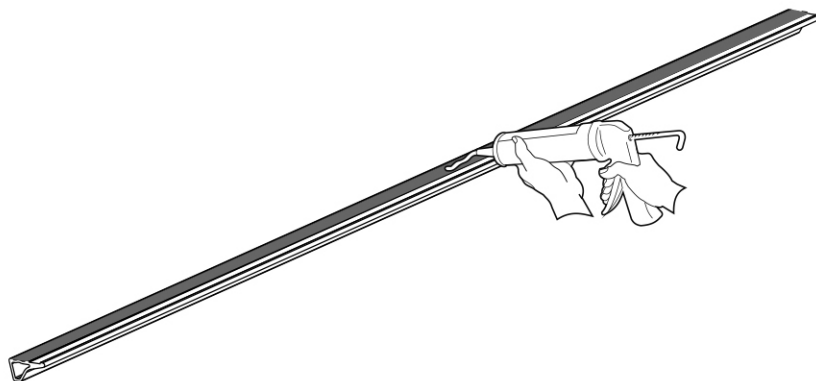
18

T3S0712



19

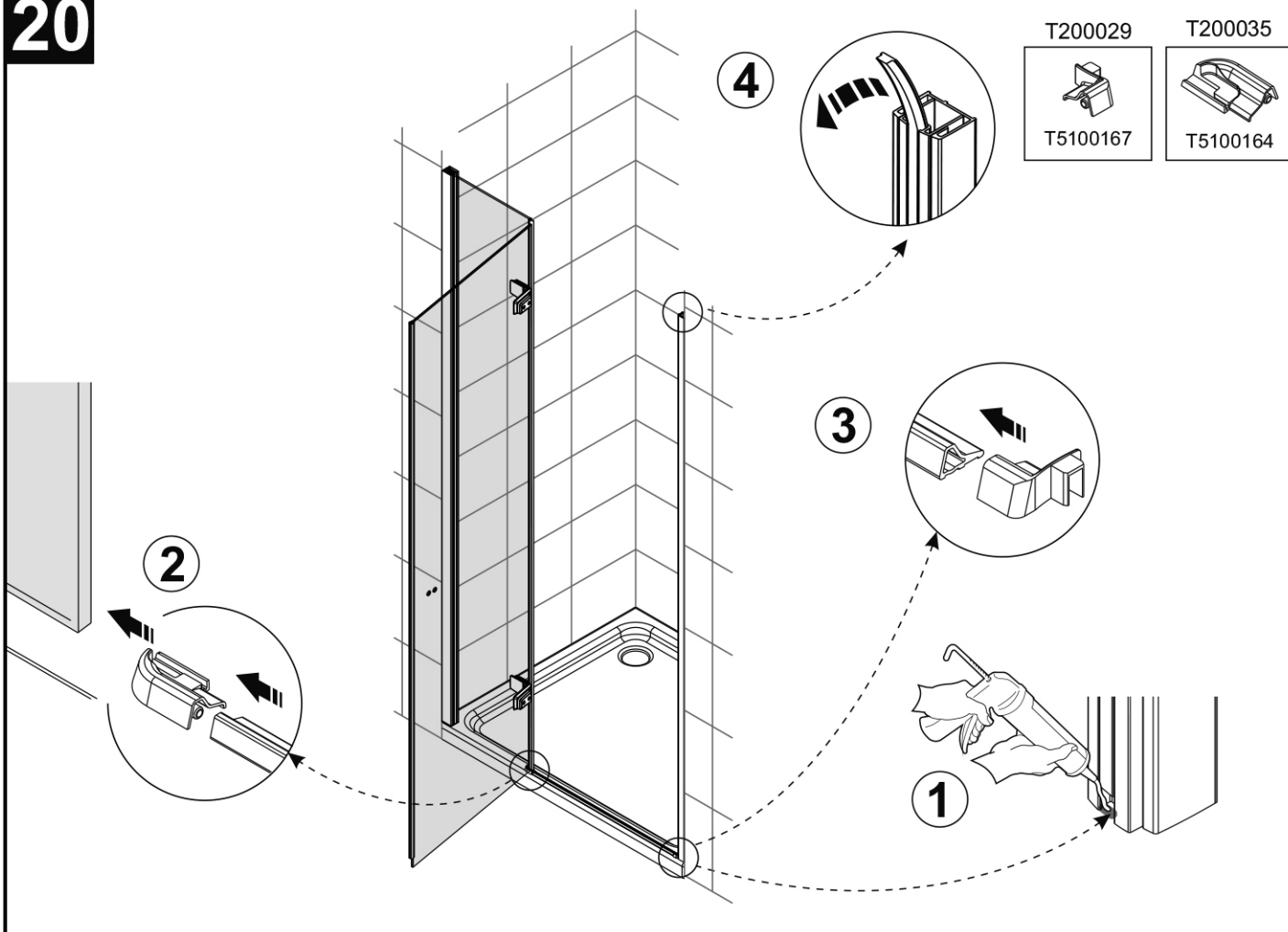
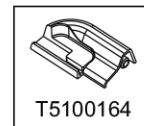
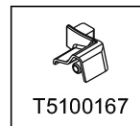
T3S0712



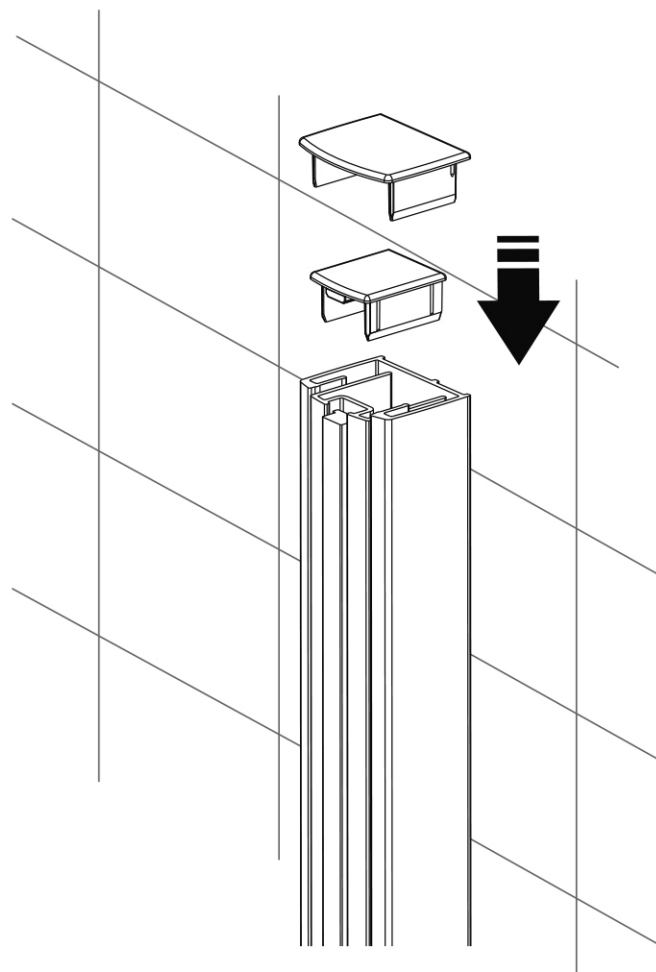
20

T200029

T200035



21



T2 00029

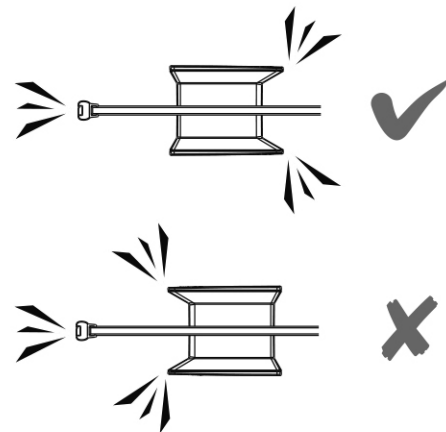
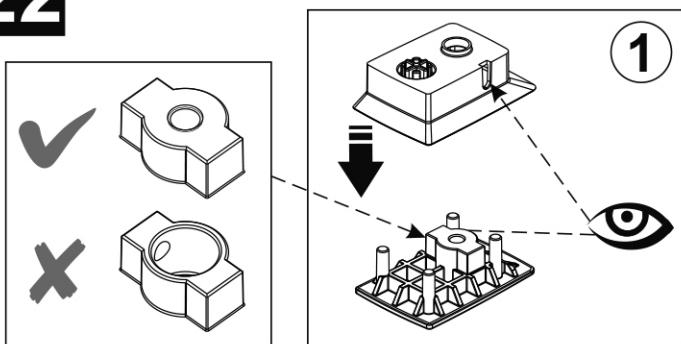


T5100171

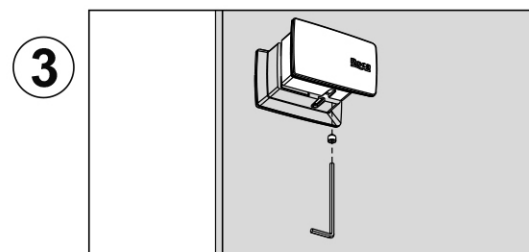
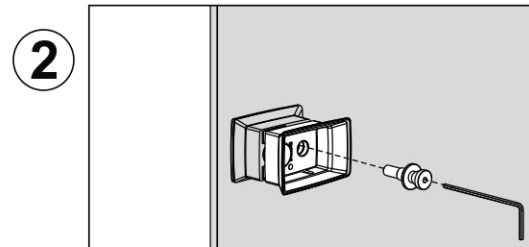
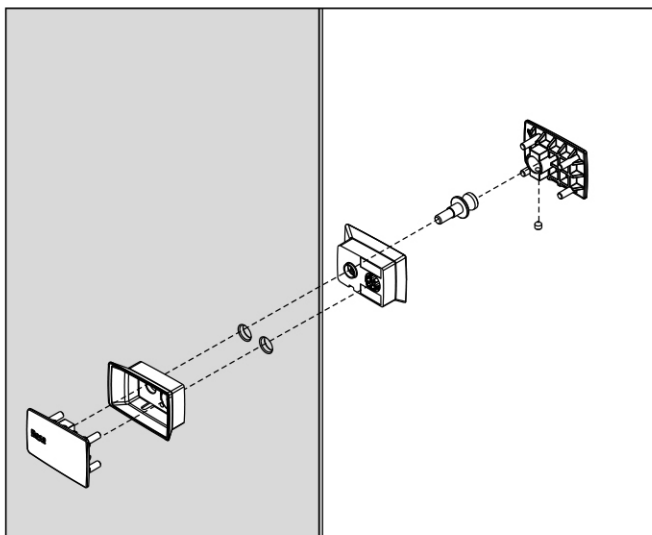
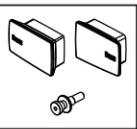


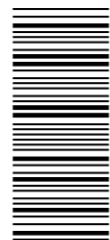
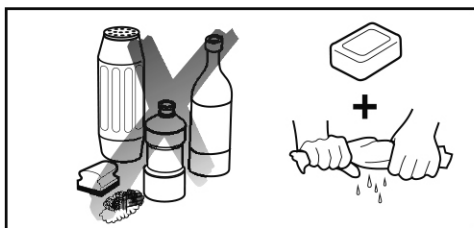
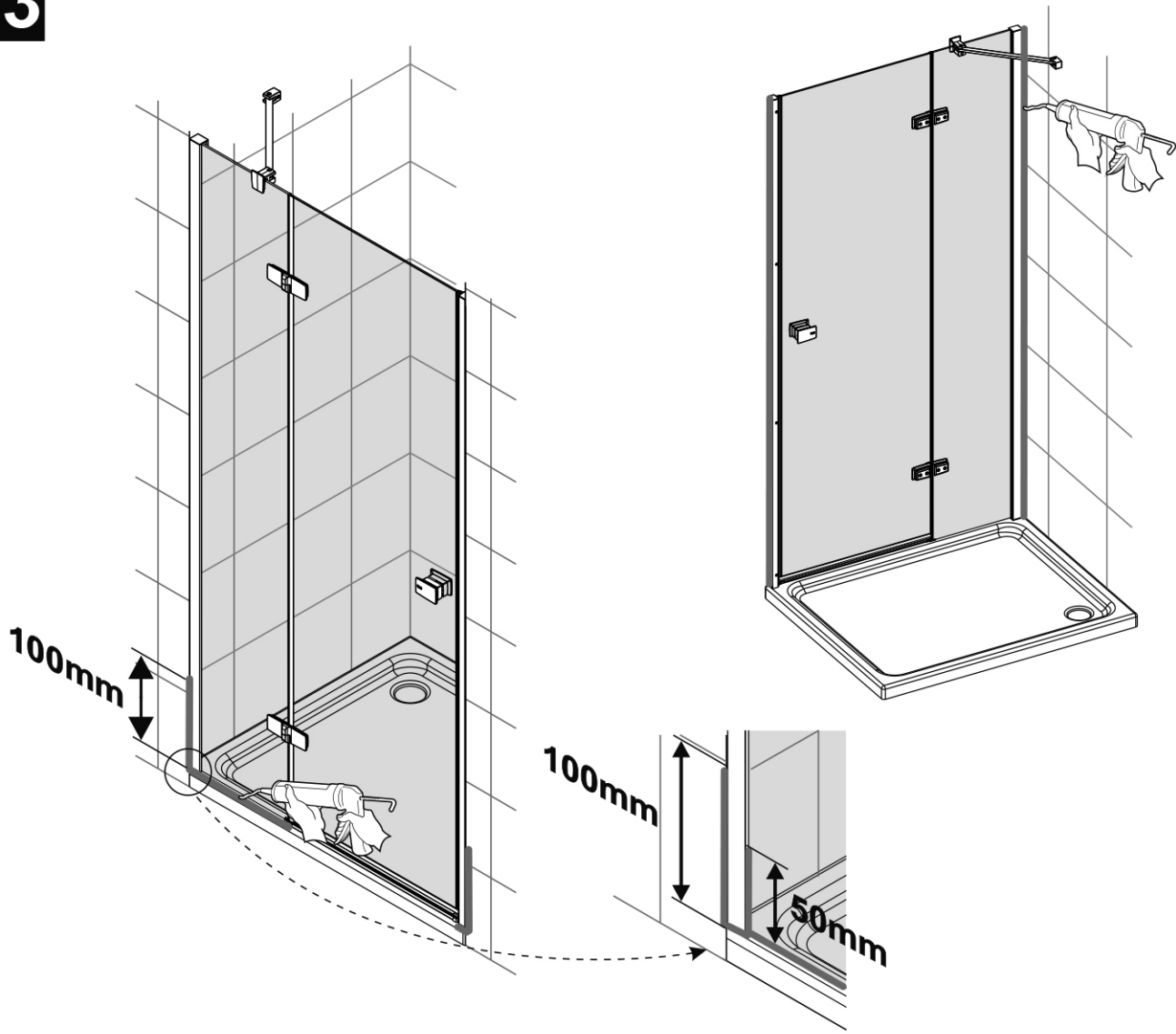
T5100170

22



T4S0483





Roca Sanitario, S.A.
 Avda. Diagonal, 513
 08029 Barcelona - SPAIN
 Teléfono 93 366 1200
 Fax 93 419 4501
 www.roca.es

Roca

**933
661
266** LÍNEA DE ATENCIÓN AL CONSUMIDOR ESPAÑA