

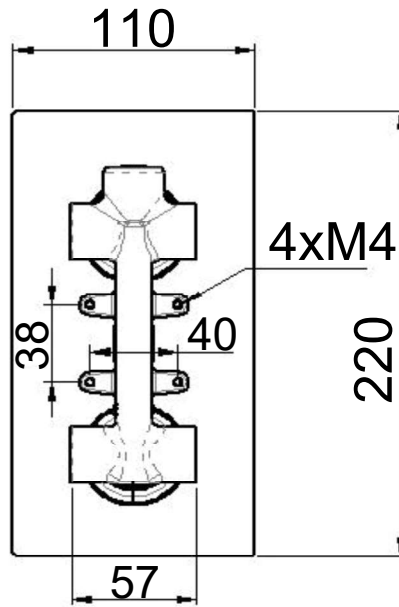
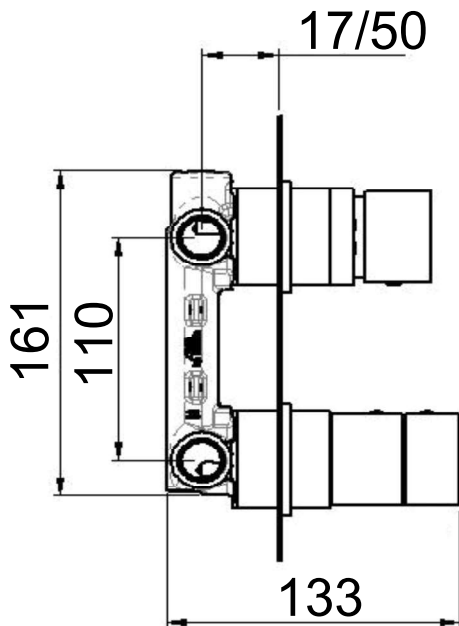
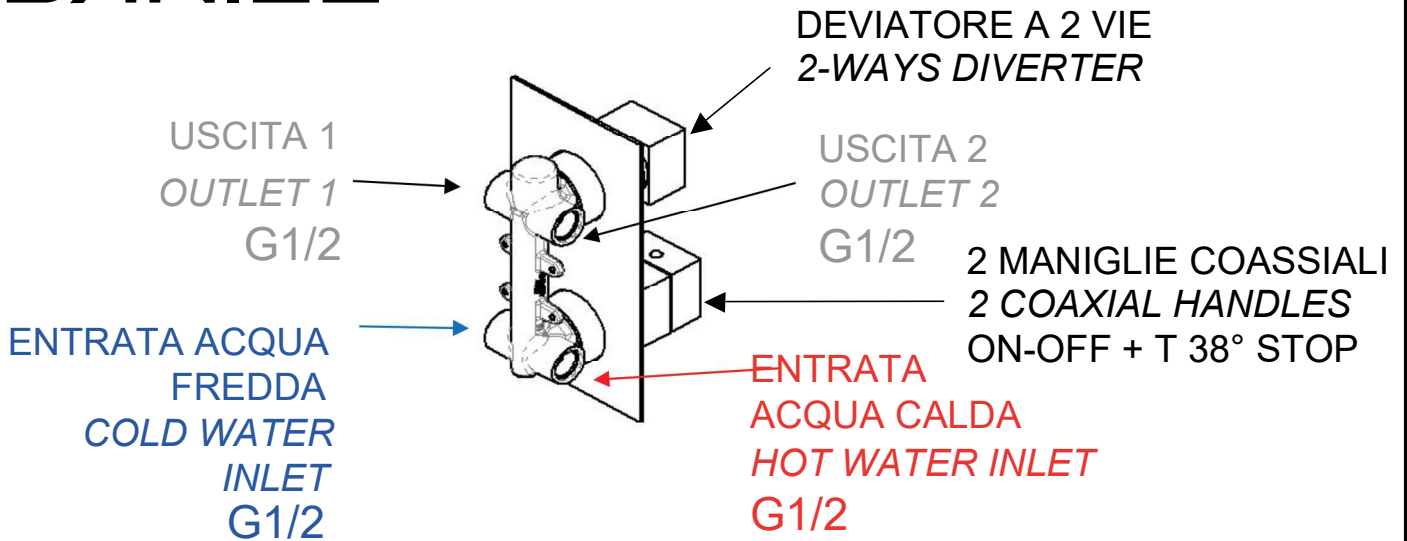


DANIEL

SCHEDA TECNICA TECHNICAL FEATURES

ART. COD.

SKT612D2



TERMOSTATICO
THERMOSTATIC

MATERIALI / MATERIALS

OTTONE CROMATO / CHROME PLATED BRASS

CROMATURA / CHROME PLATING

UNI EN 248