

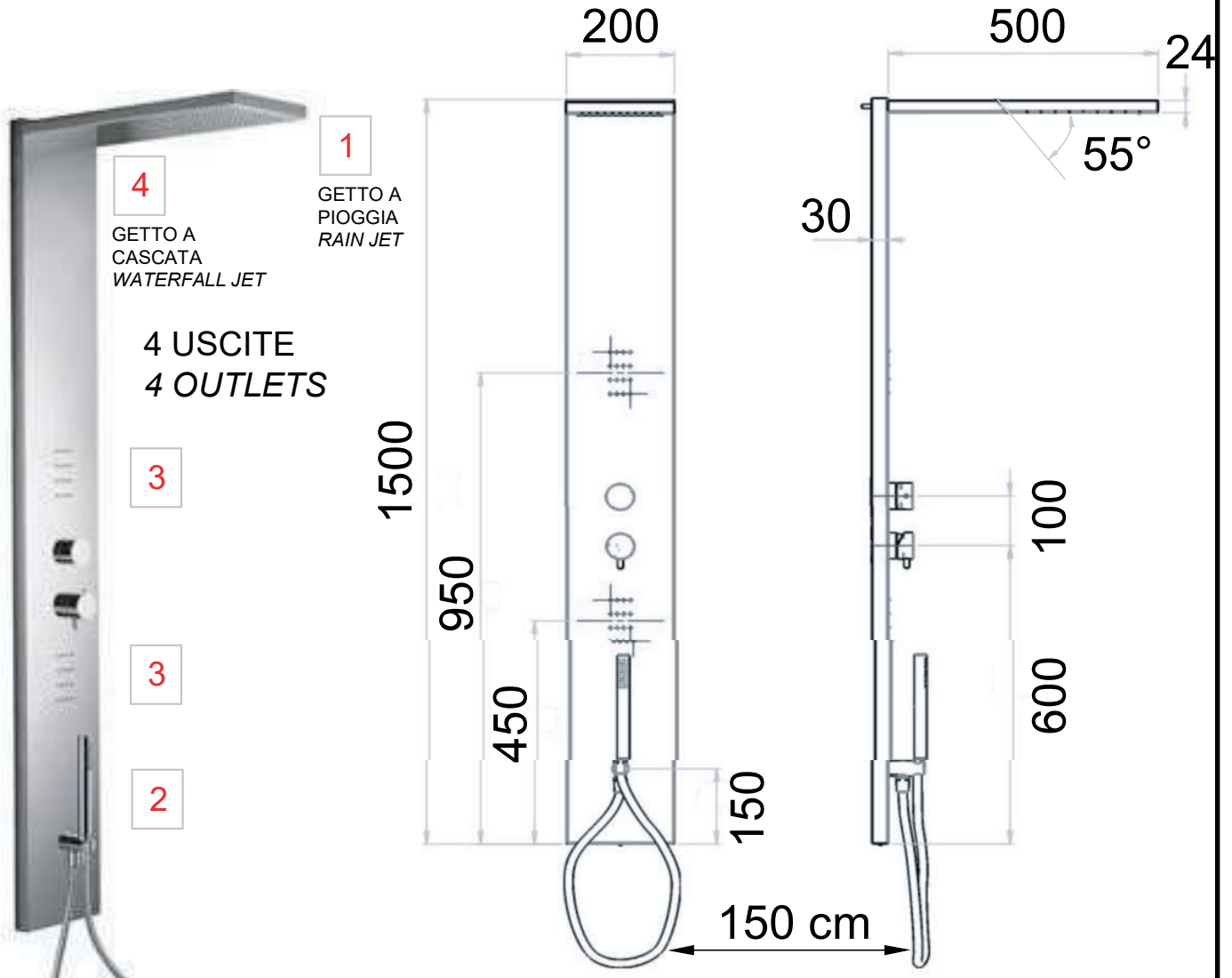


DANIEL

SCHEDA TECNICA TECHNICAL FEATURES

ART. COD.

A242CM20JC



MATERIALI / MATERIALS

AISI 304 / ABS / PVC