

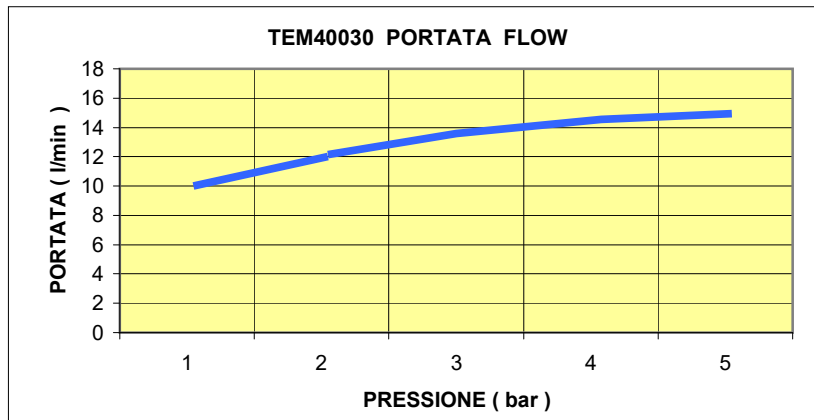
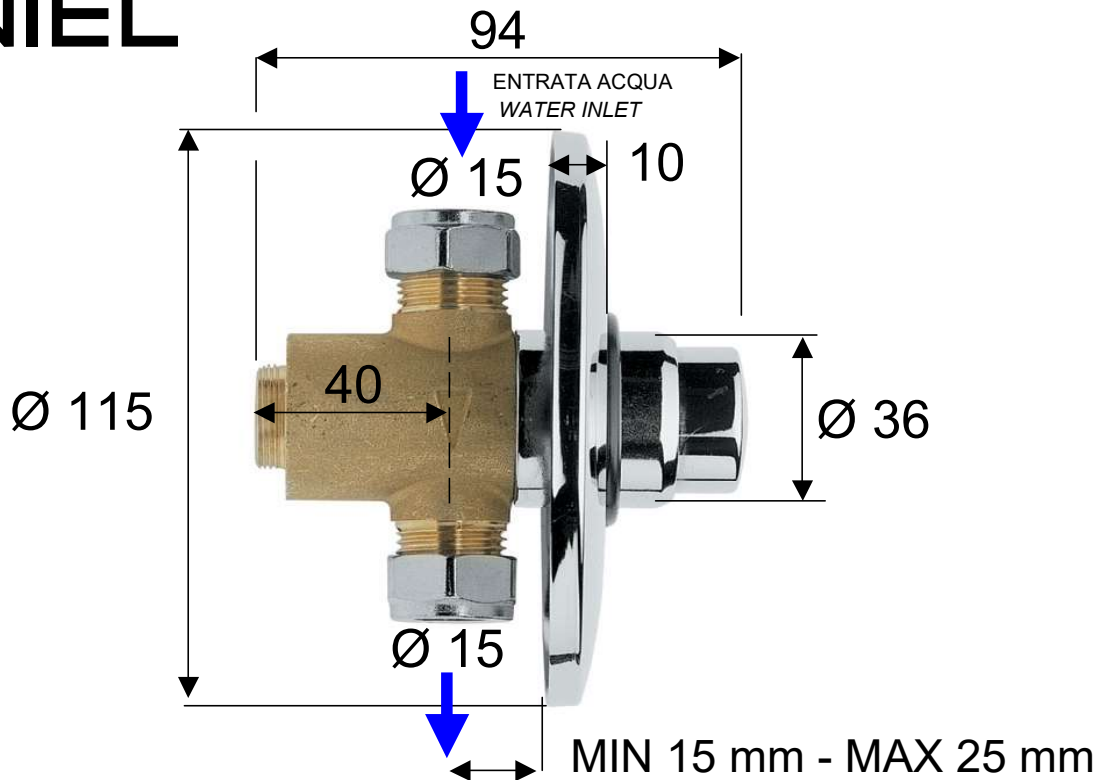


DANIEL

SCHEDA TECNICA TECHNICAL FEATURES

ART. COD.

TEM40030



APERTURA / OPENING 15/20 s

MATERIALI / MATERIALS

OTTONE CROMATO / CHROME PLATED BRASS
OTTONE / BRASS

CROMATURA / CHROME PLATING

UNI EN 248