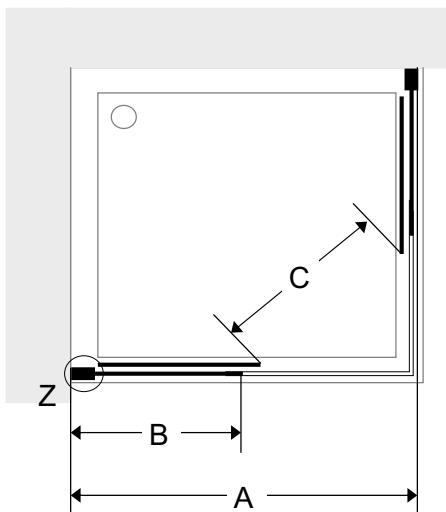
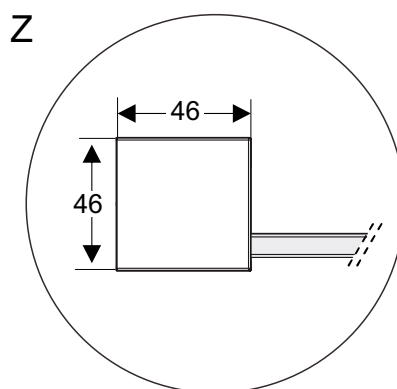
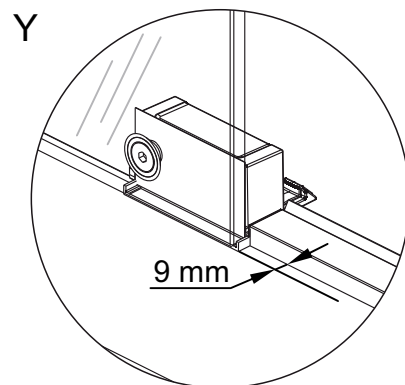
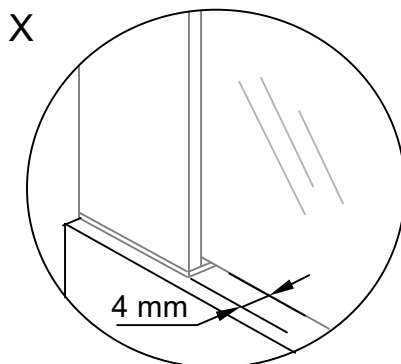
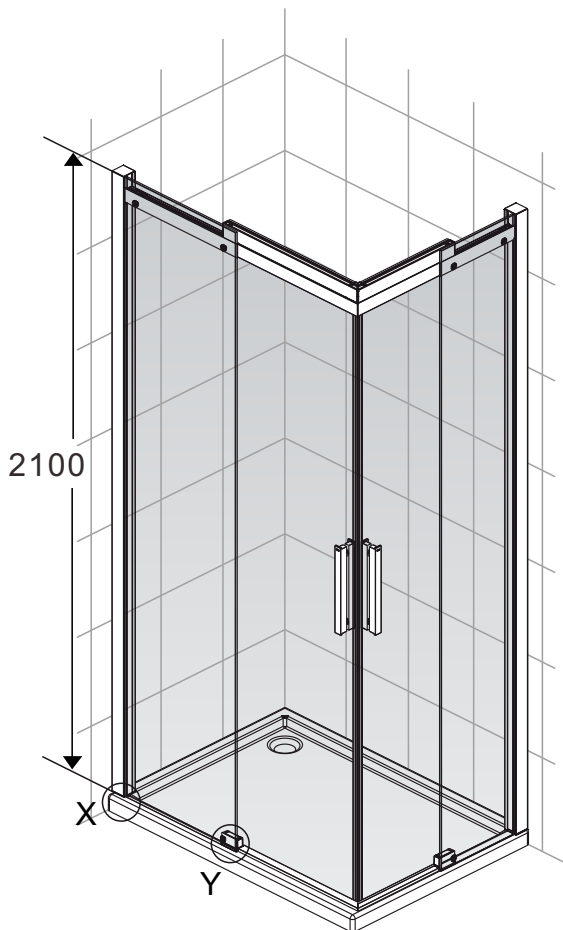


Aerea 2L2



A x A	C
700 x 900	380
700 x 1000	425
700 x 1100	470
700 x 1200	514
750 x 900	395
750 x 1000	440
750 x 1100	480
750 x 1200	525
800 x 900	415
800 x 1000	450
800 x 1100	495
800 x 1200	535
900 x 900	445

2L2		A	B Approx
A=670,671.....1400	Min.	A-7	A÷2
	Max.	A+8	

Ejemplo/Example

AxA=700x1200

C=514

A Min=700-7=693

B=700÷2=350

A Max=700+8=708

A Min=1200-7=1193

B=1200÷2=600

A Max=1200+8=1208