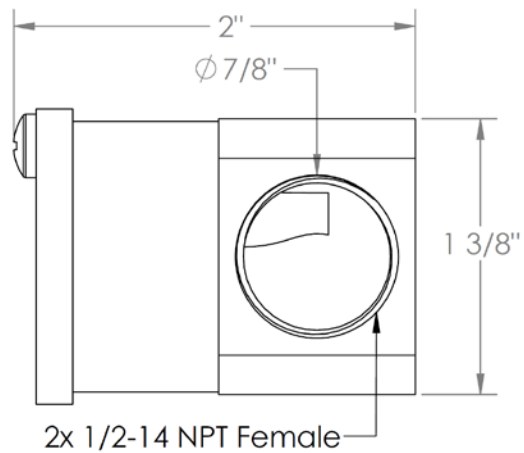
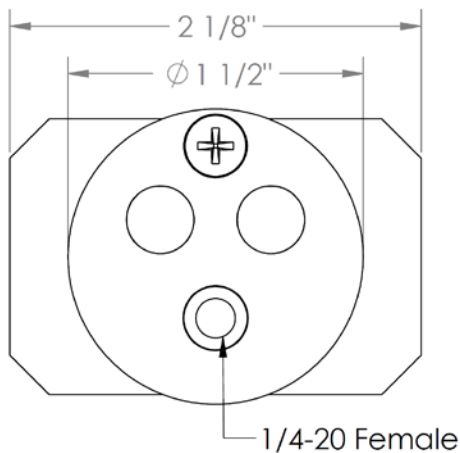
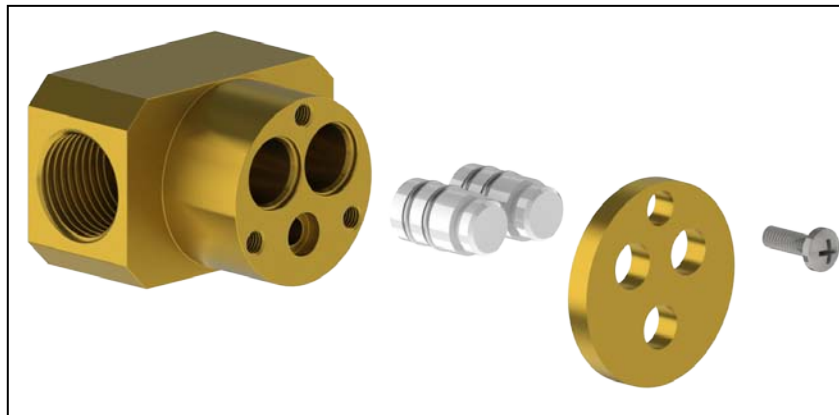
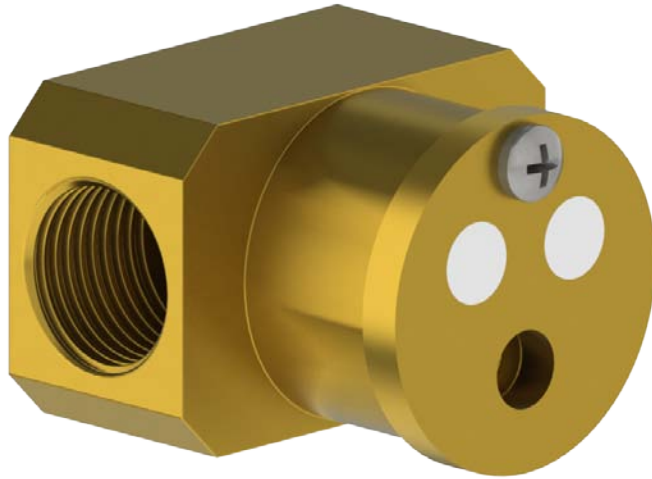


22-1.21VLV

Titanium Single Hole Progressive Wall Rough



Meets the applicable requirements of ASME A112.18.1-2005/CSA B125.1-05, entitled "Plumbing Supply Fittings"

WATERMARK DESIGNS 4/24/2018