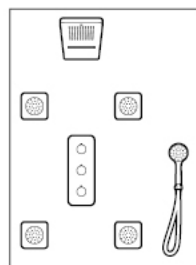




Roca

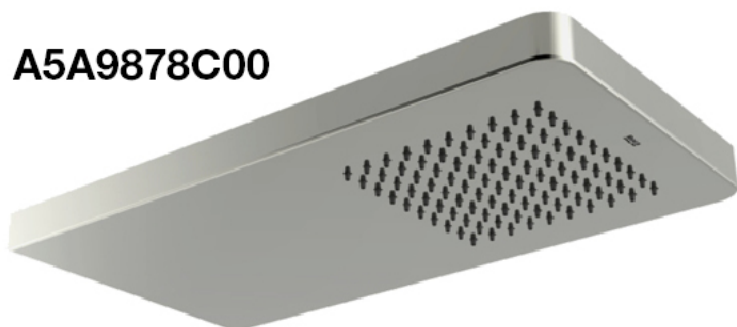
PUZZLE

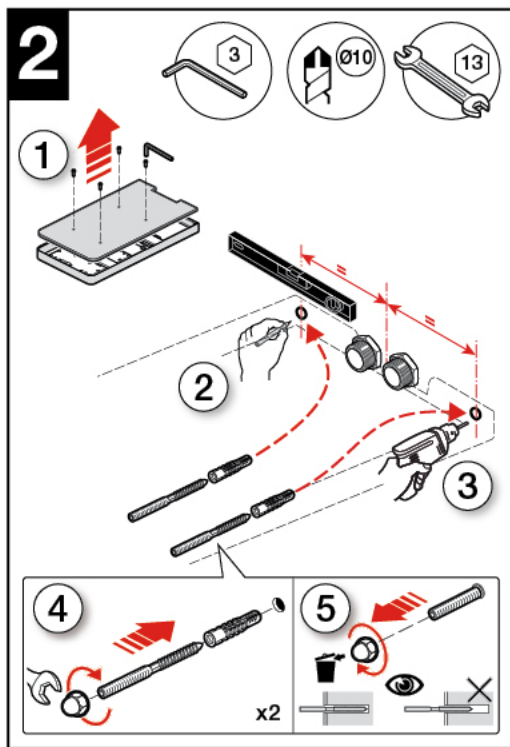
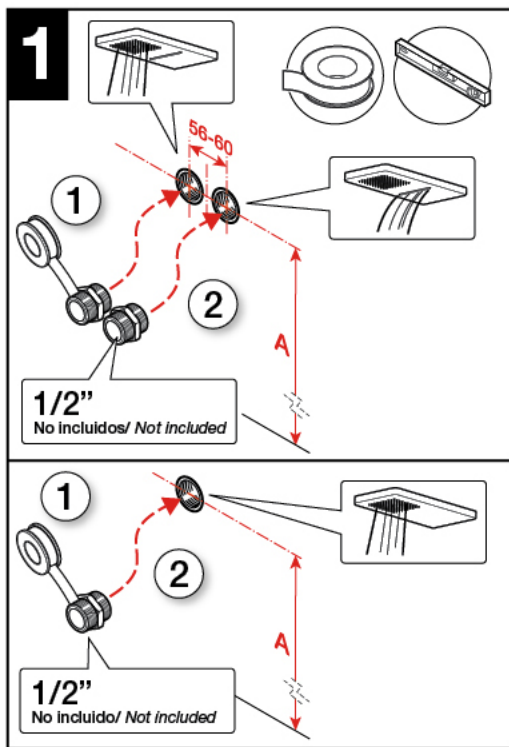
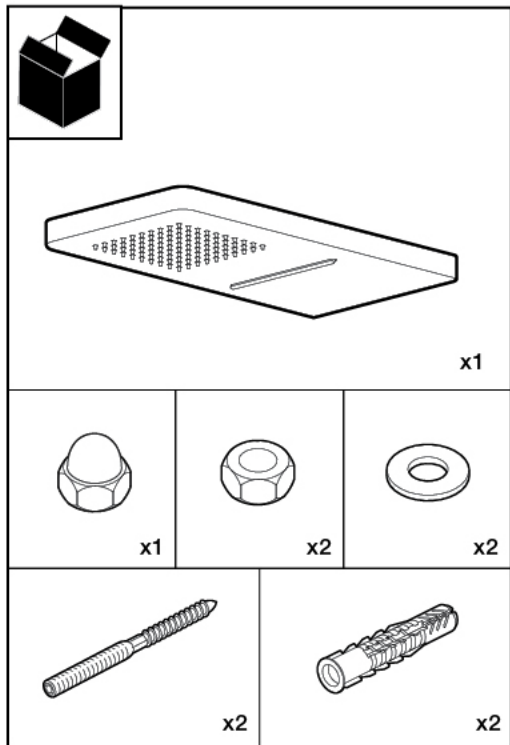
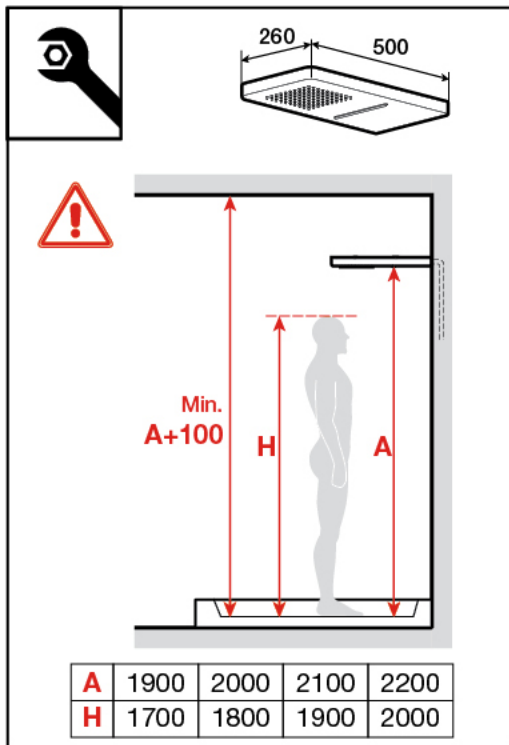


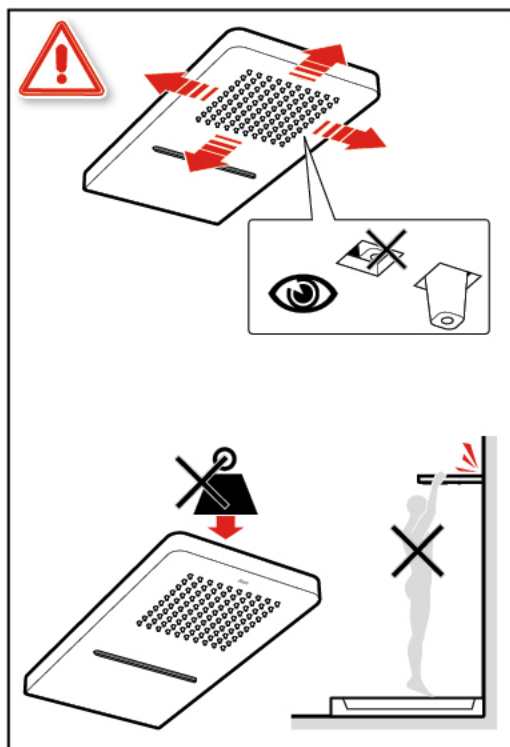
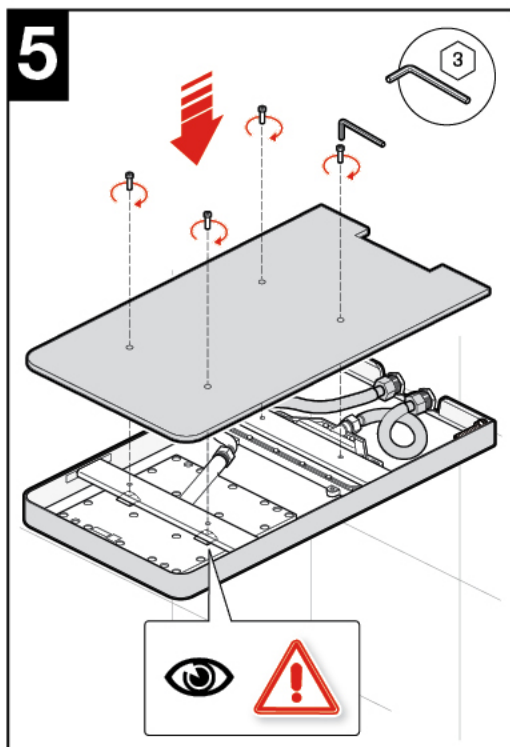
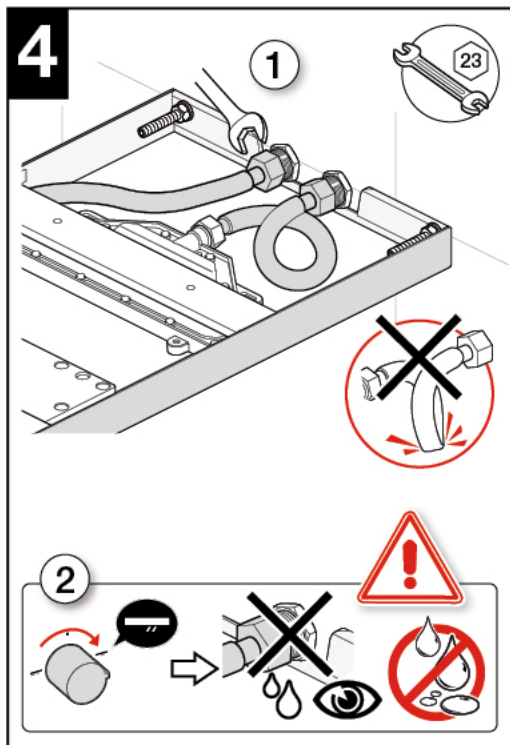
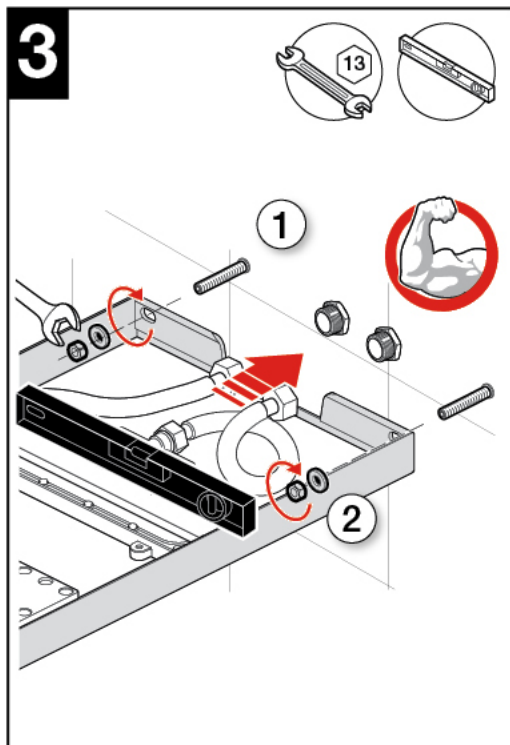
A5A9978C00

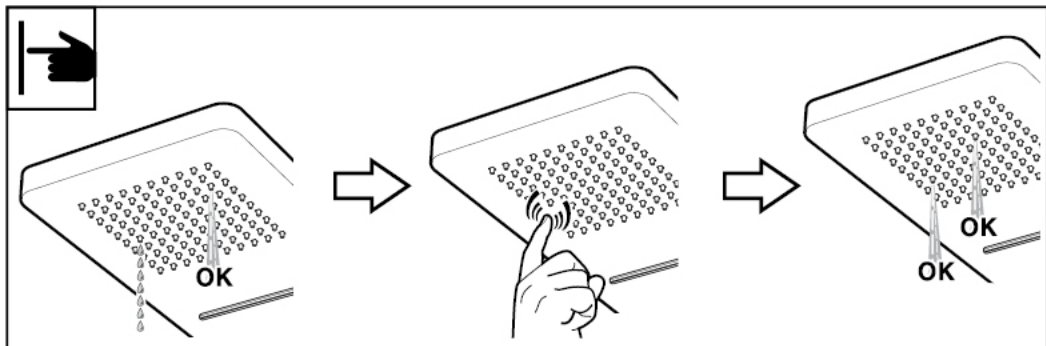


A5A9878C00

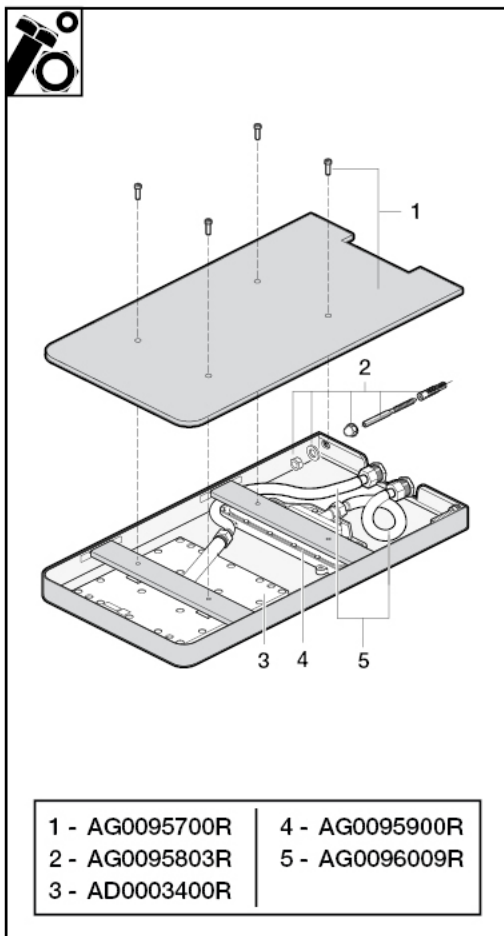
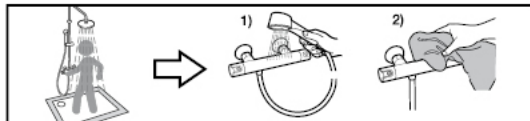
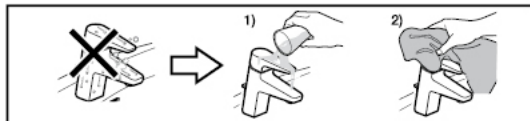
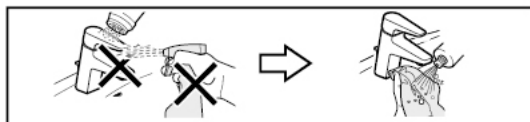
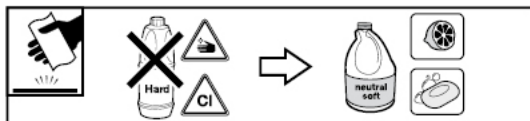








	P	P bar		3	
	T	°C			
Q (3 bar)	l/min	16		15	



- | | |
|----------------|----------------|
| 1 - AG0095700R | 4 - AG0095900R |
| 2 - AG0095803R | 5 - AG0096009R |
| 3 - AD0003400R | |