



DANIEL

SCHEDA TECNICA TECHNICAL FEATURES

ART. COD.

VE13612

Ø 155

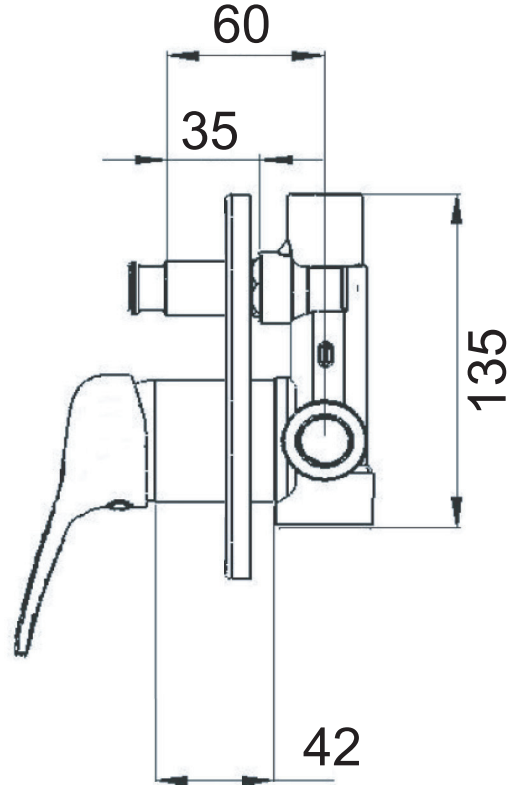


ENTRATA
ACQUA FREDDA
COLD WATER
INLET
G1/2

USCITA DOCCIA
SHOWER OUTLET
G1/2

USCITA VASCA
BATH OUTLET
G3/4

ENTRATA
ACQUA CALDA
HOT WATER
INLET
G1/2



MATERIALI / MATERIALS

OTTONE CROMATO / CHROME PLATED BRASS

CROMATURA / CHROME PLATING

UNI EN 248