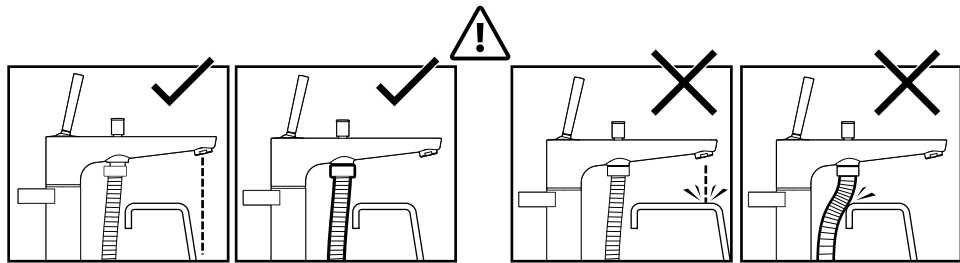
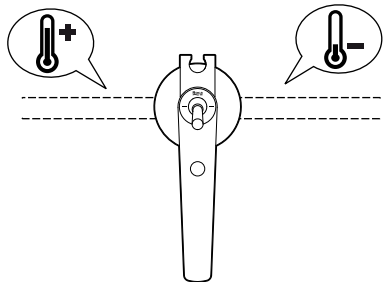
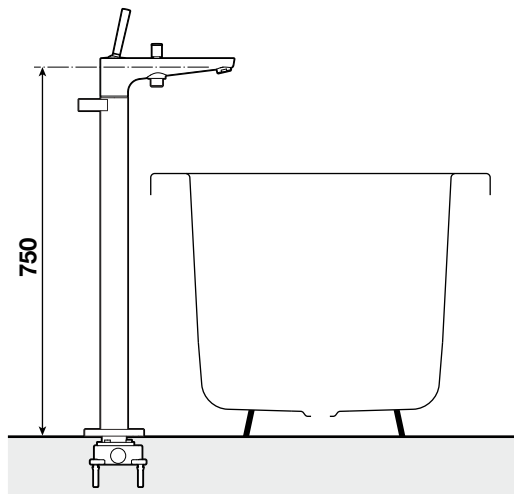
















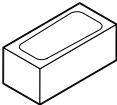



Roca

PALS



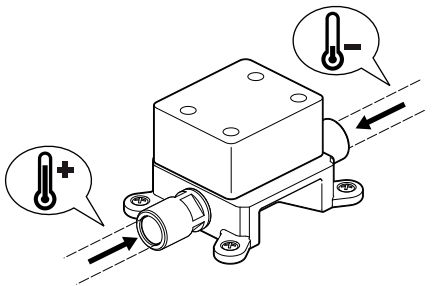
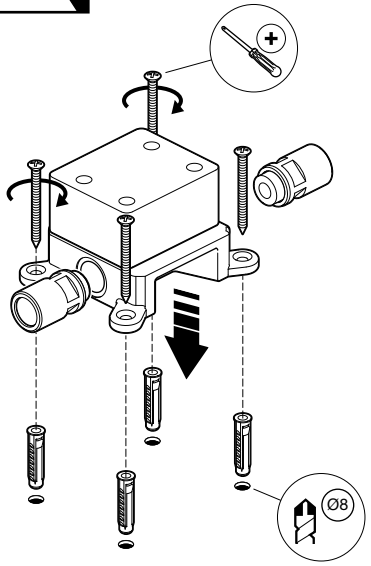


 P 	P bar	 10 MAX.	
 P 	P bar	0,5 MIN.  5 MAX.	3 1  
  T	°C	 -80 MAX. -45 MIN.	 -65 -50 
 Q (3 bar)	l/min	 20	 12

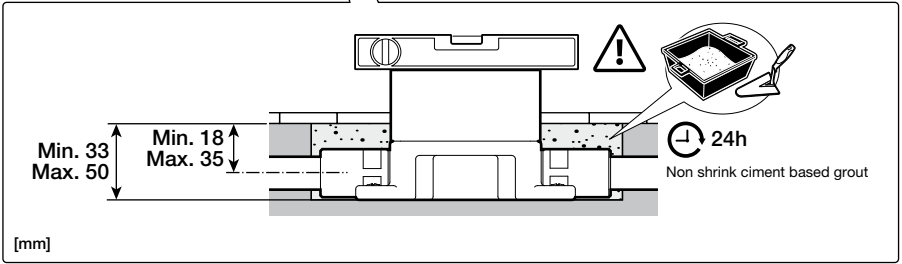
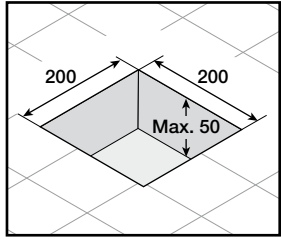
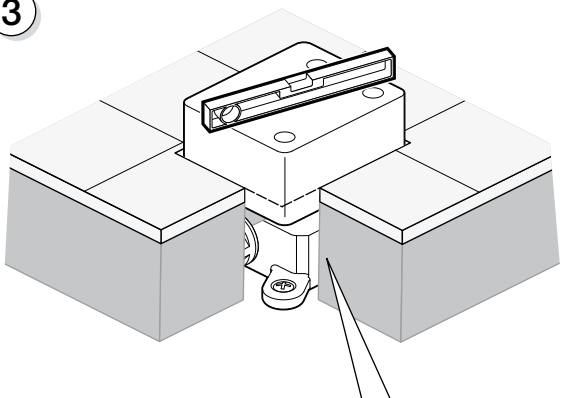


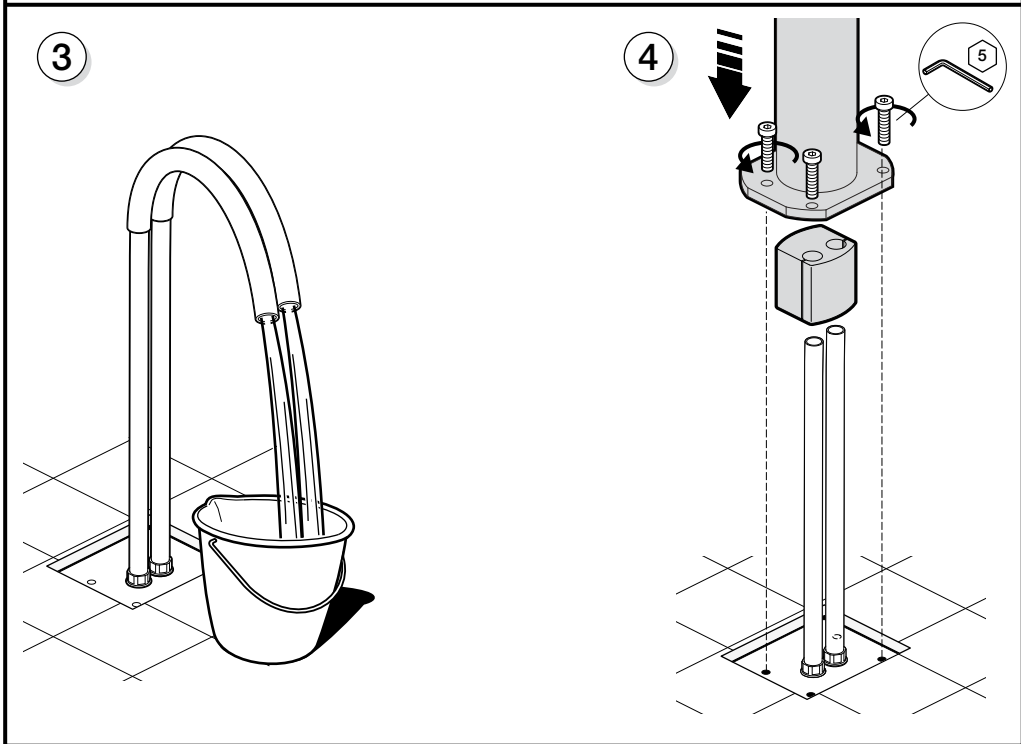
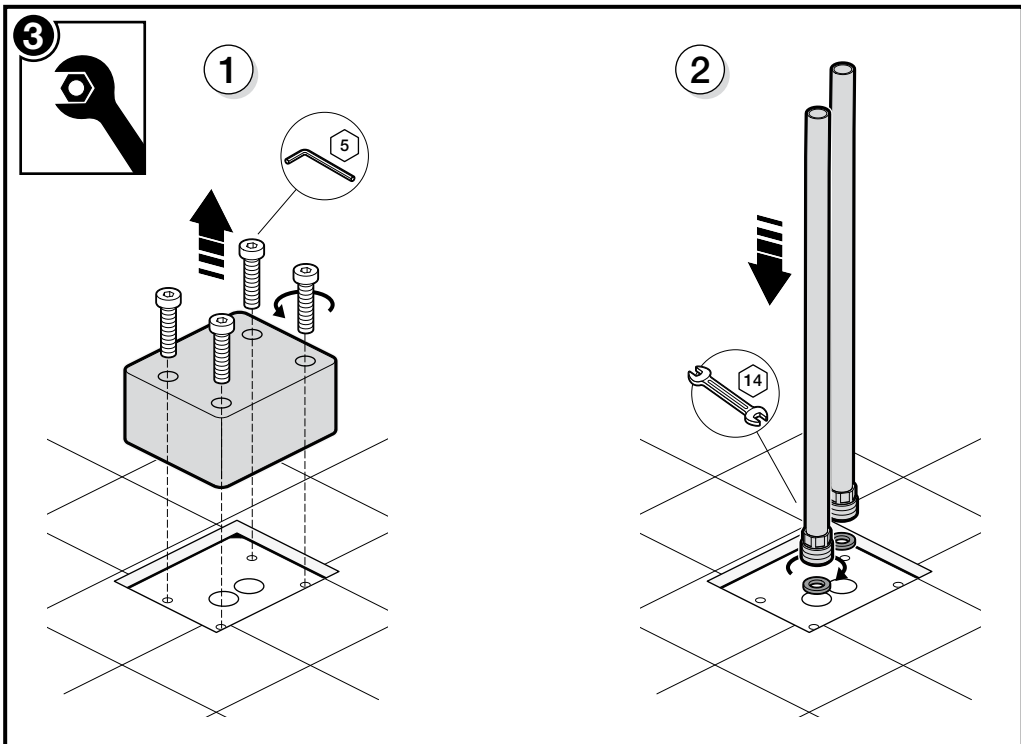
1

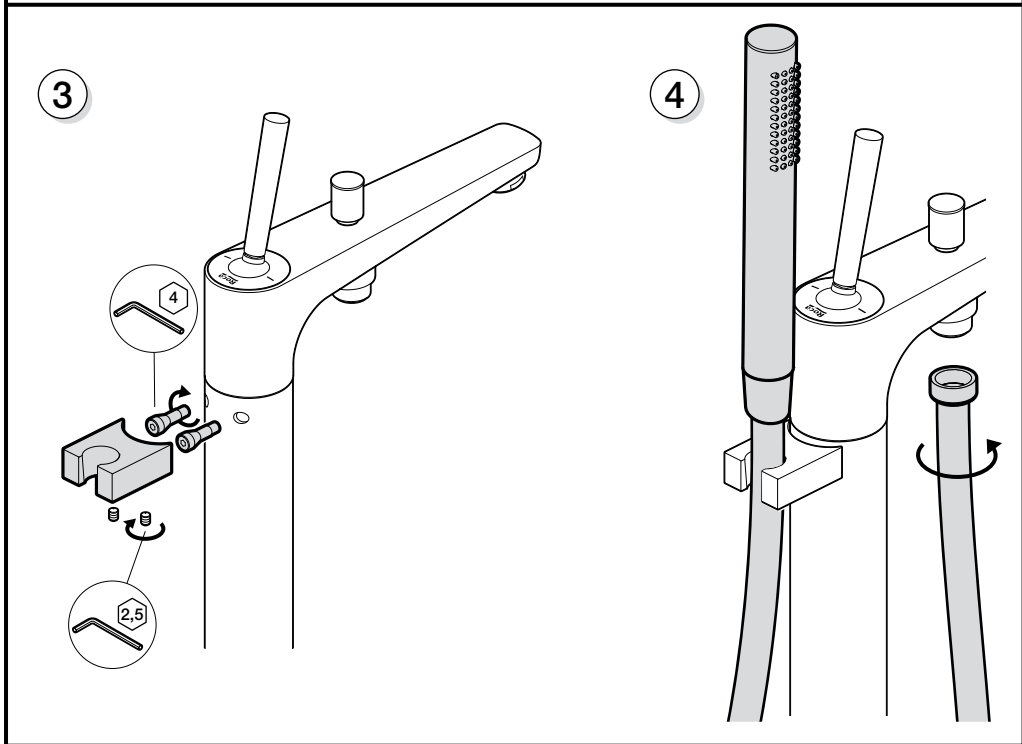
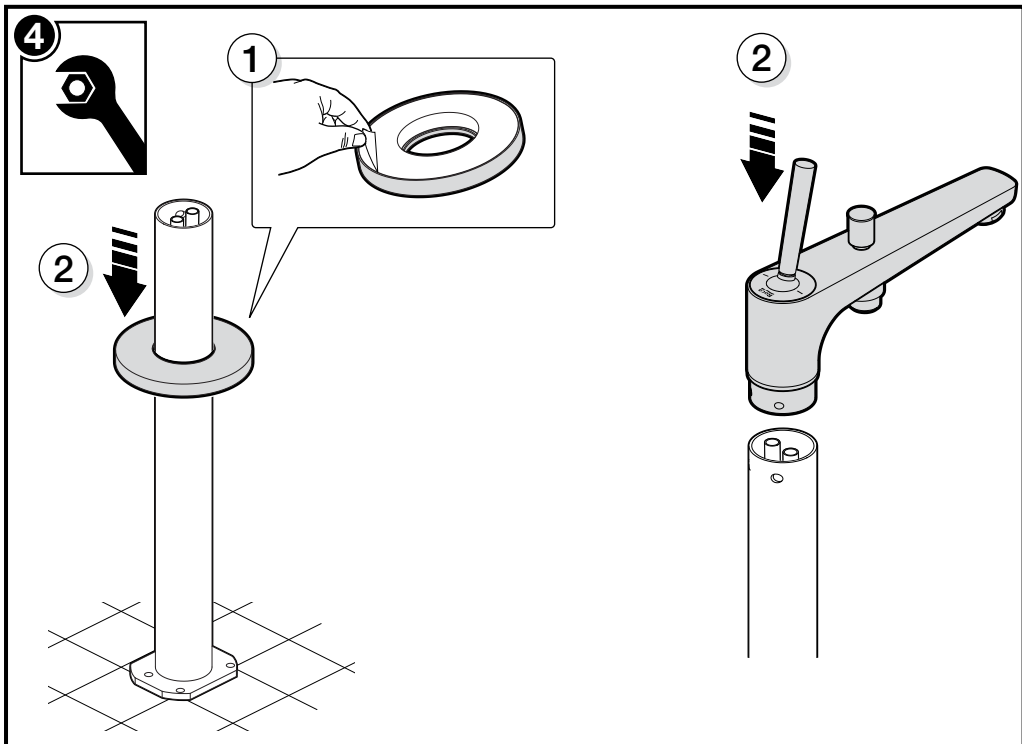
2



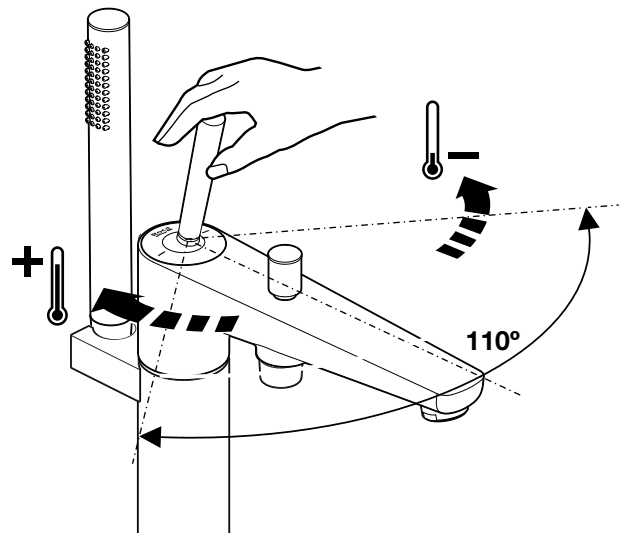
3



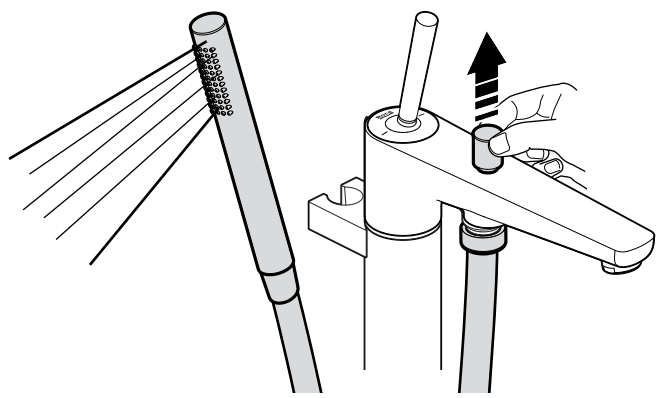




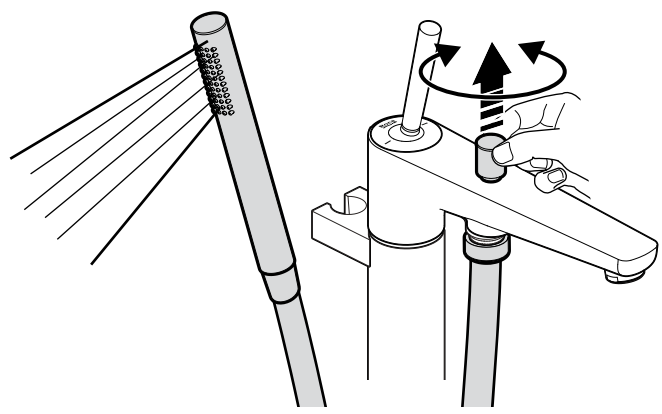
5

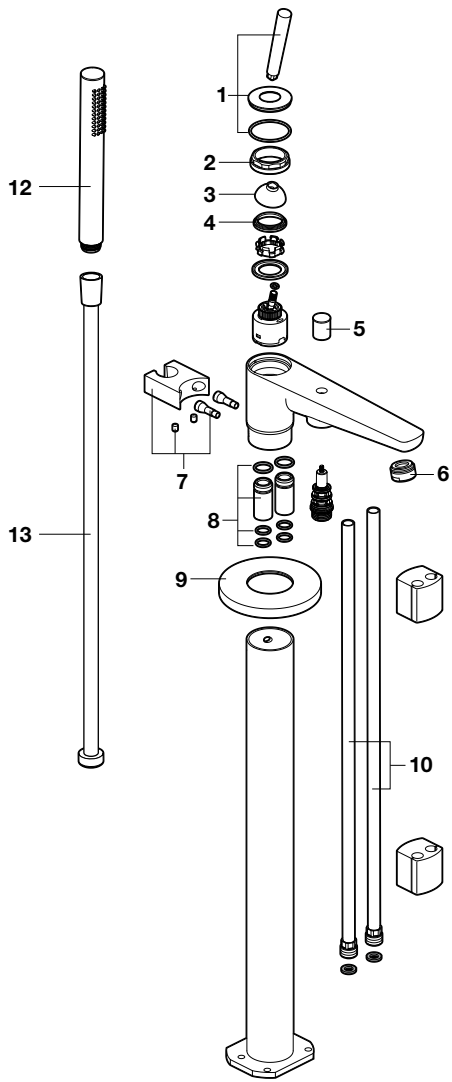


$P \geq 0,5$ bar



$P < 0,5$ bar





- | | |
|----|--------------|
| 1 | - |
| 2 | - |
| 3 | - |
| 4 | - |
| 5 | - |
| 6 | - |
| 7 | - |
| 8 | - AG0128103R |
| 9 | - |
| 10 | - AG0128400R |
| 11 | - AG0128503R |
| 12 | - A5B9047C00 |
| 13 | - A525009800 |

