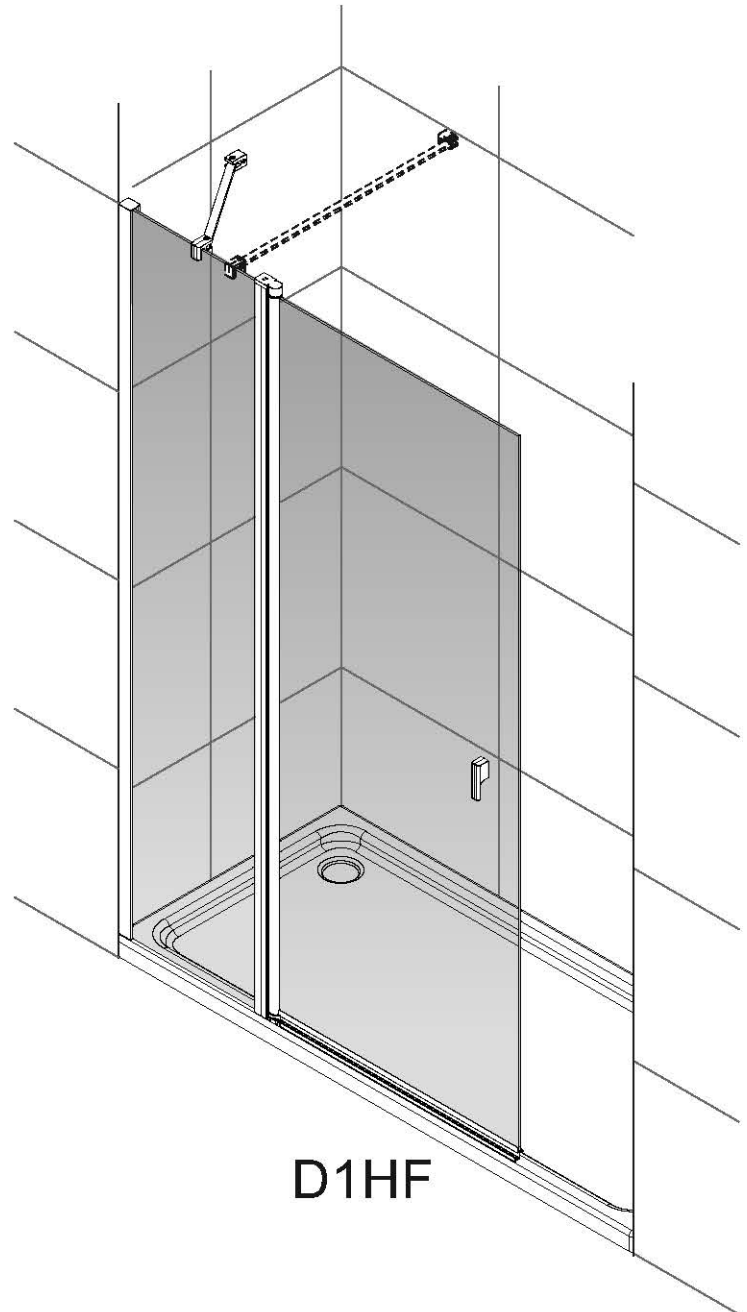
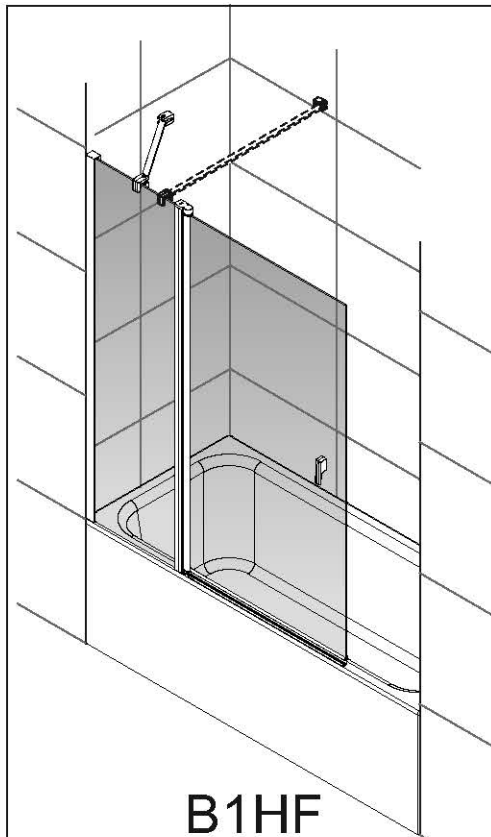
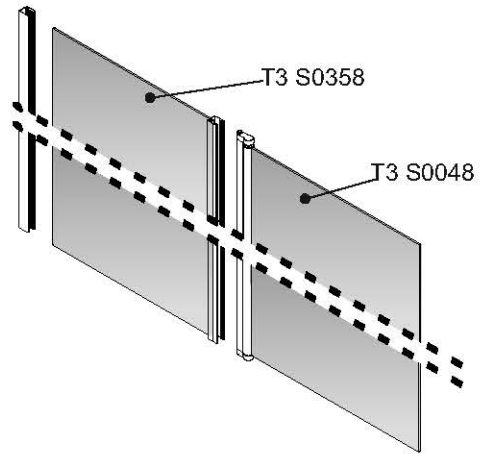
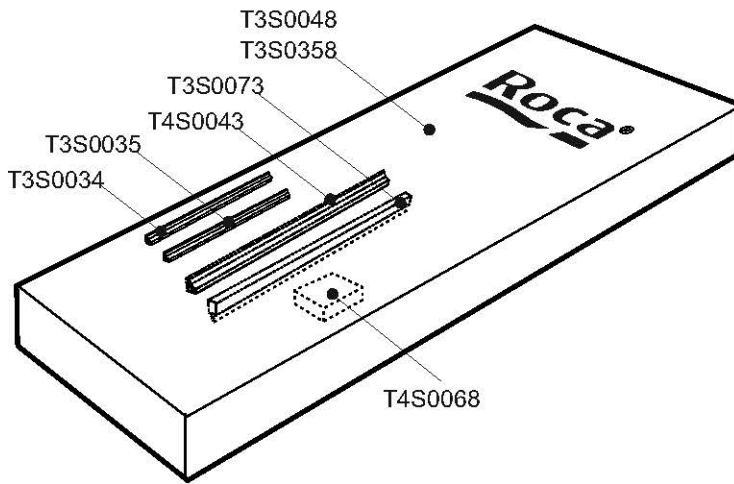


Roca

EASY D1HF/B1HF



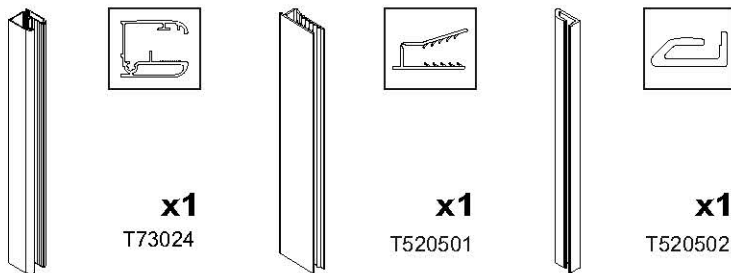
D1HF/B1HF



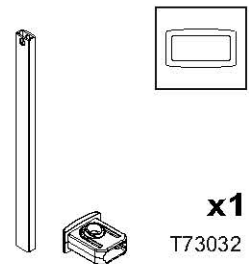
T4S0068

T2 00002	x4	Ø6 x4	Ø9 x4						
T2 00027	x4	x4	Ø3 x1						
T2 00030	x1	x1	x1	x1	x1	x1			
T2 00092	x2	x1	x1	x1	x1	x1	x1	x1	x1
T2 00093	x2	x1	x1	x1	x1	x1	x1	x1	x1
T2 00096	x1	x1							
T2 00097	x2	x2							

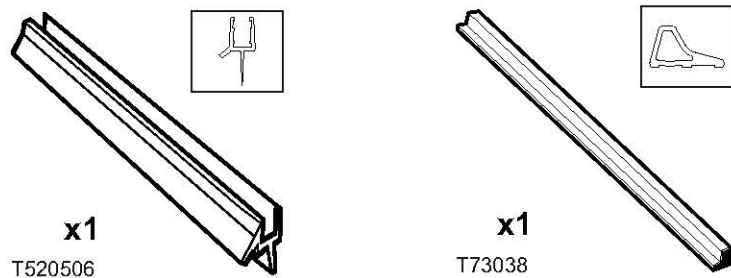
T3S0073



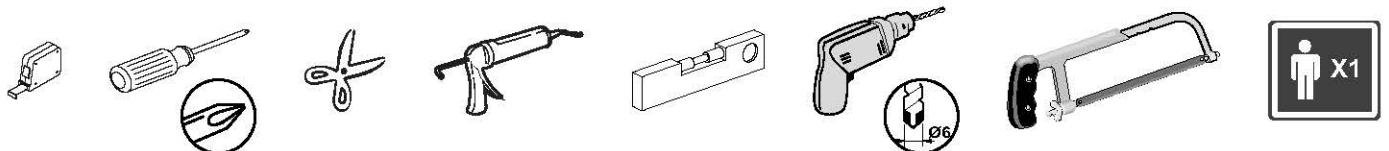
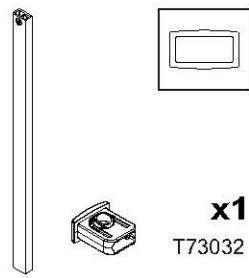
T3S0034

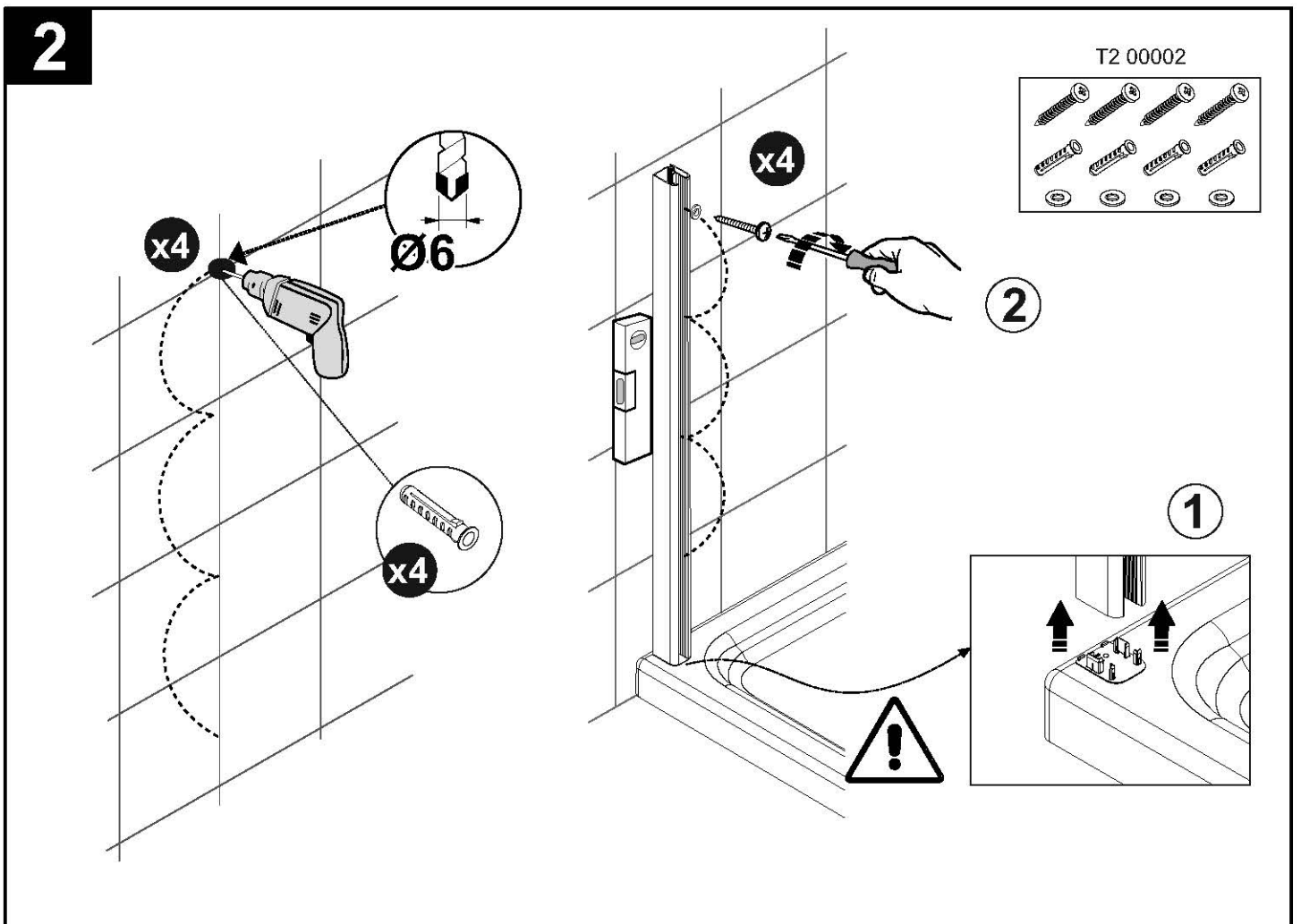
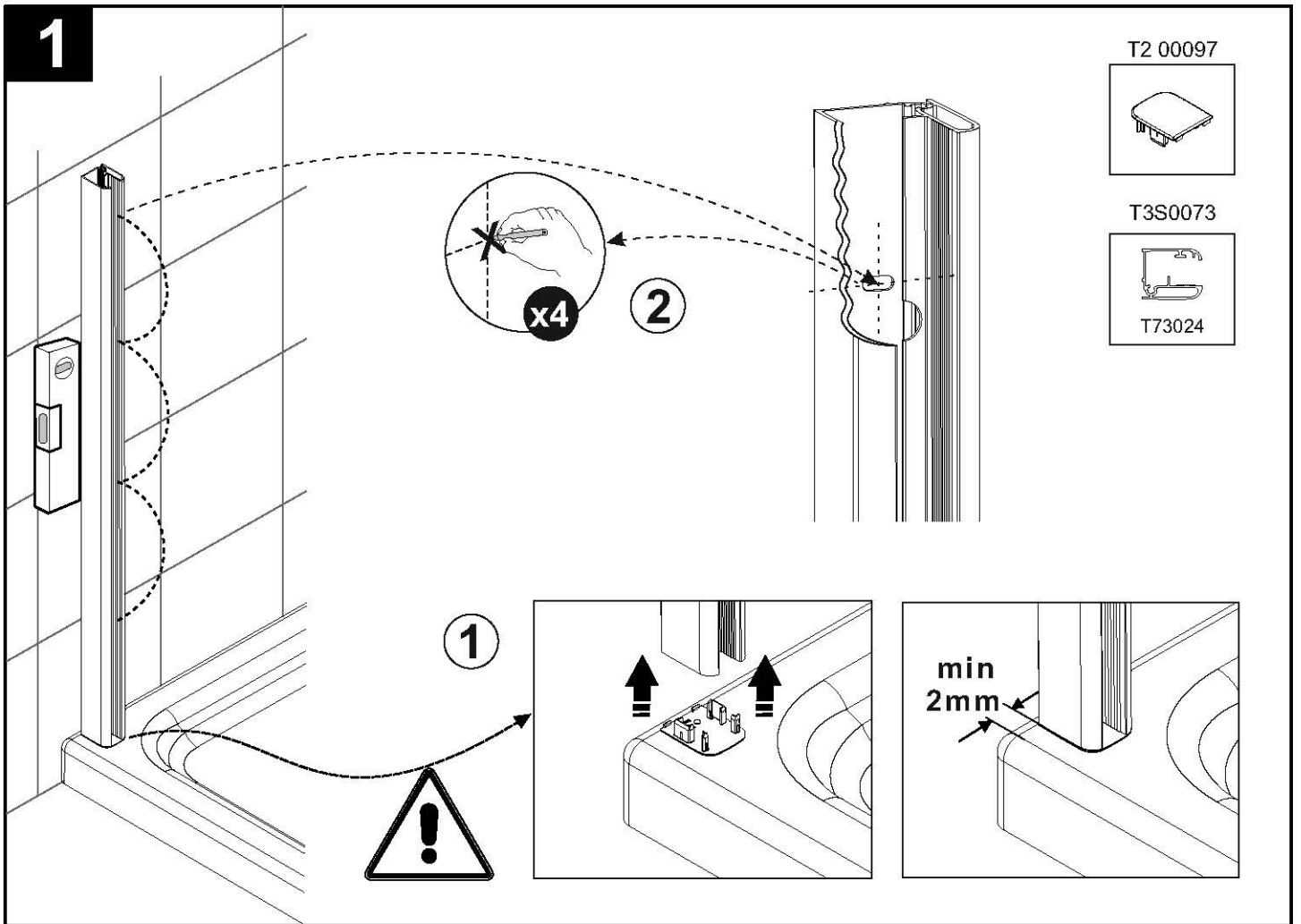


T4S0043



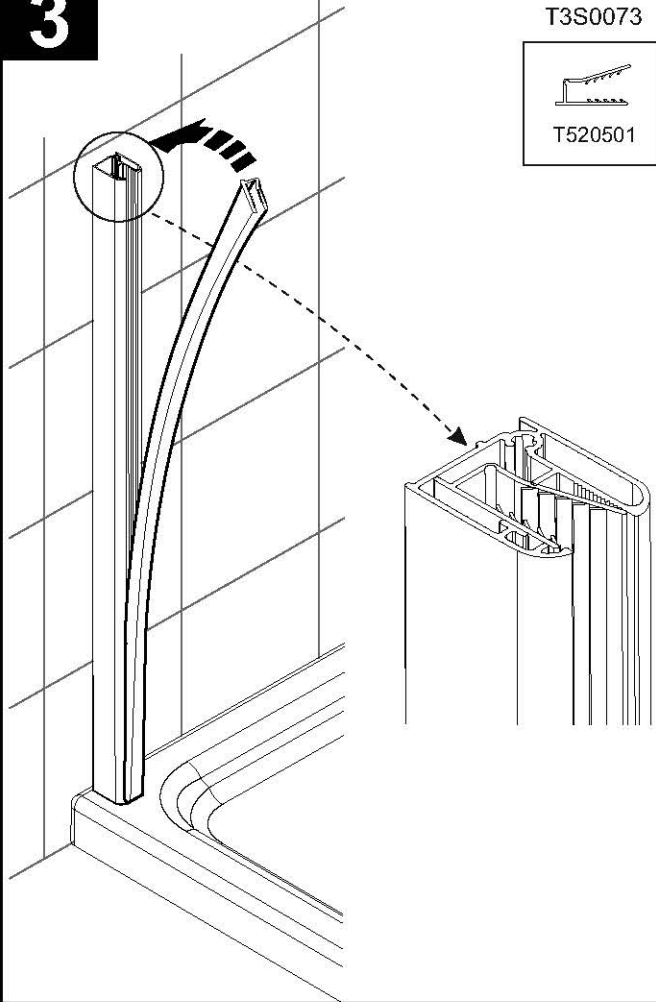
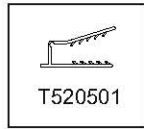
T3S0035





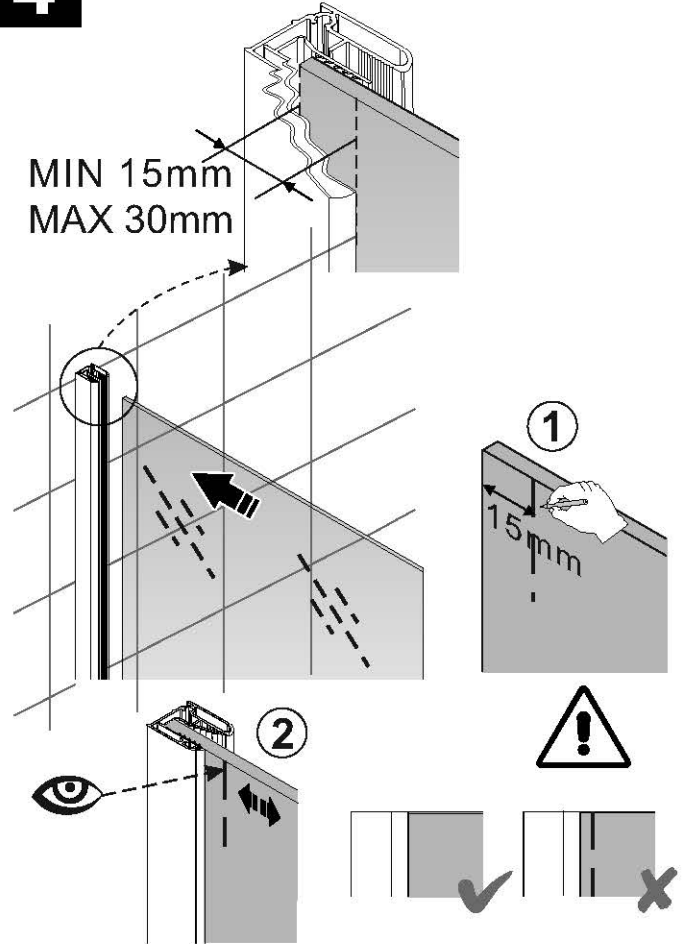
3

T3S0073



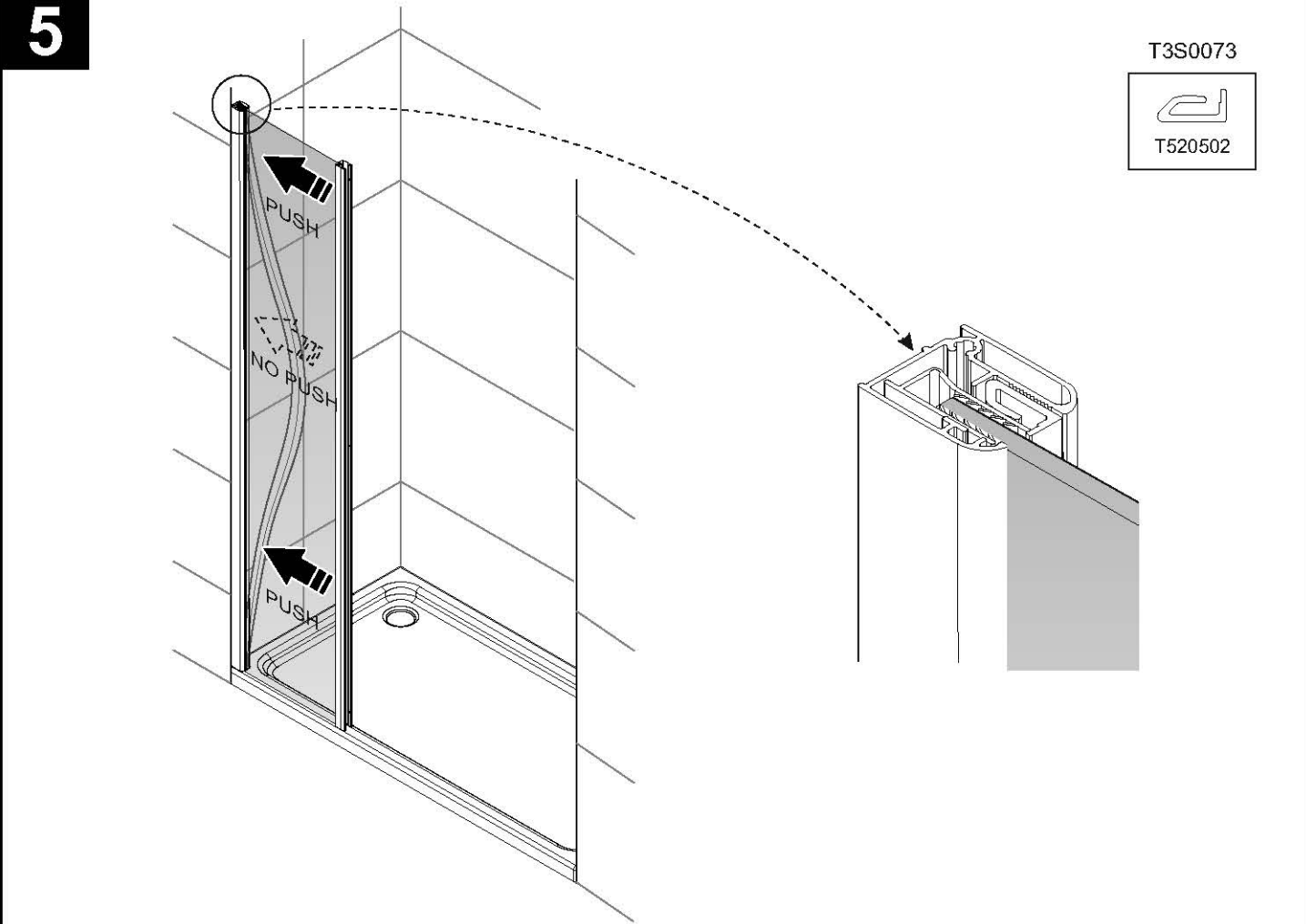
4

MIN 15mm
MAX 30mm



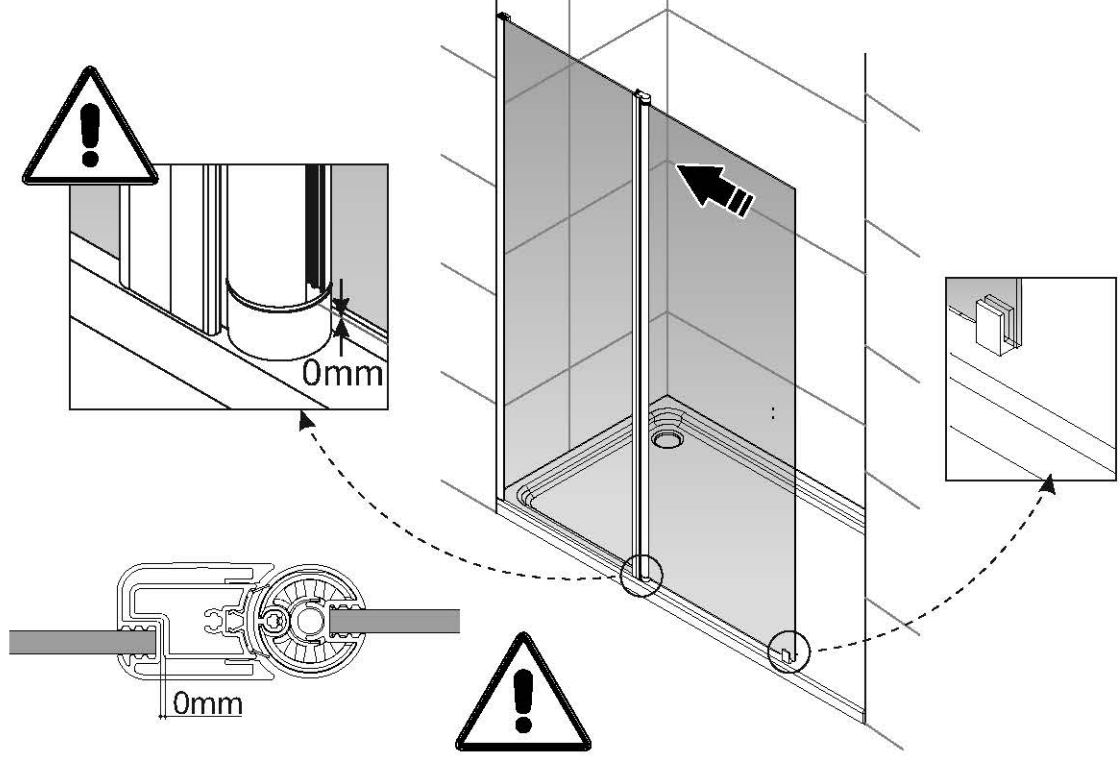
5

T3S0073



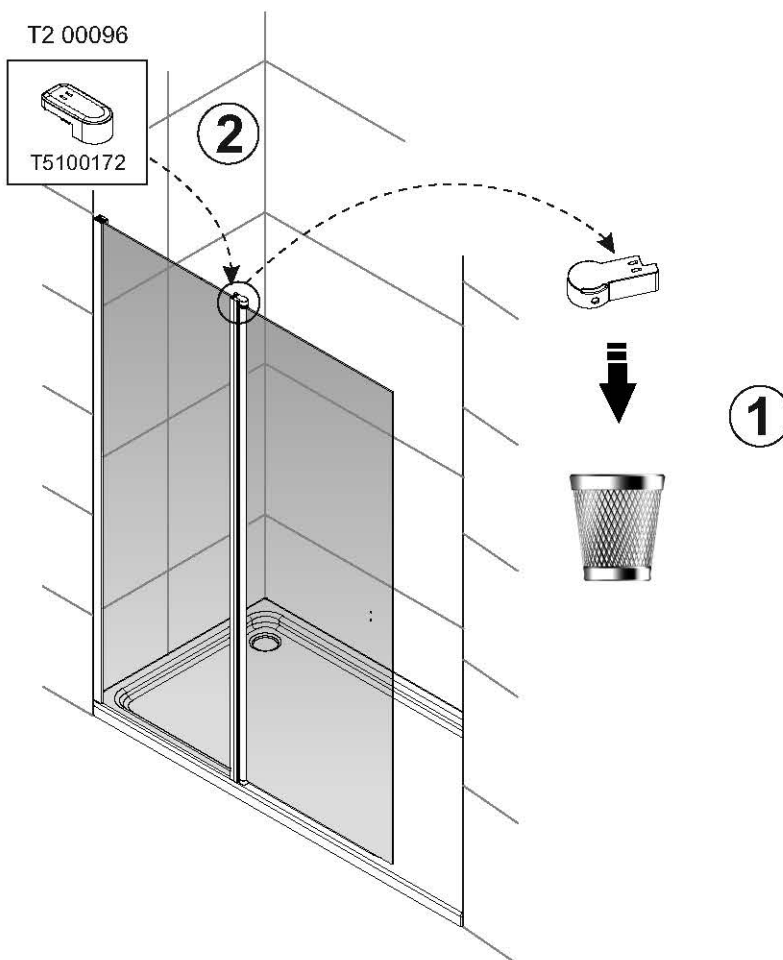
6

T2 00096

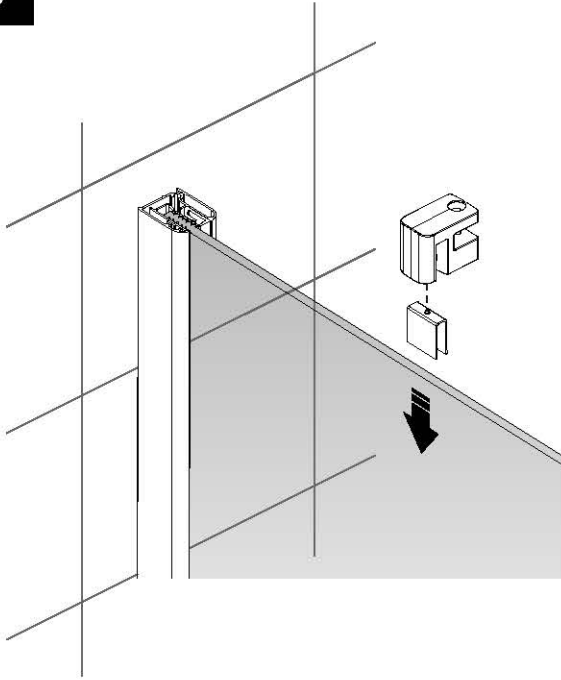


7

T2 00096

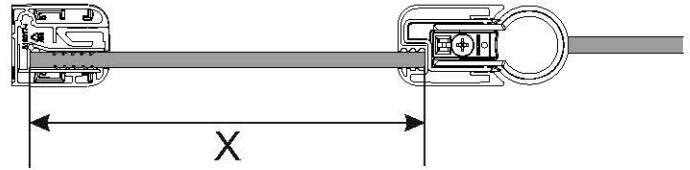
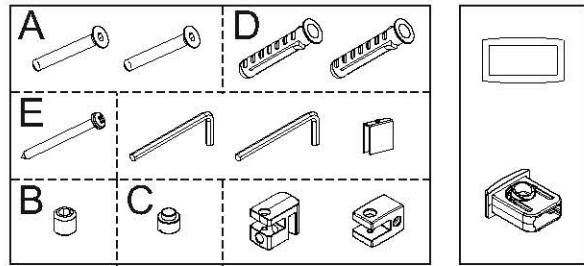


8

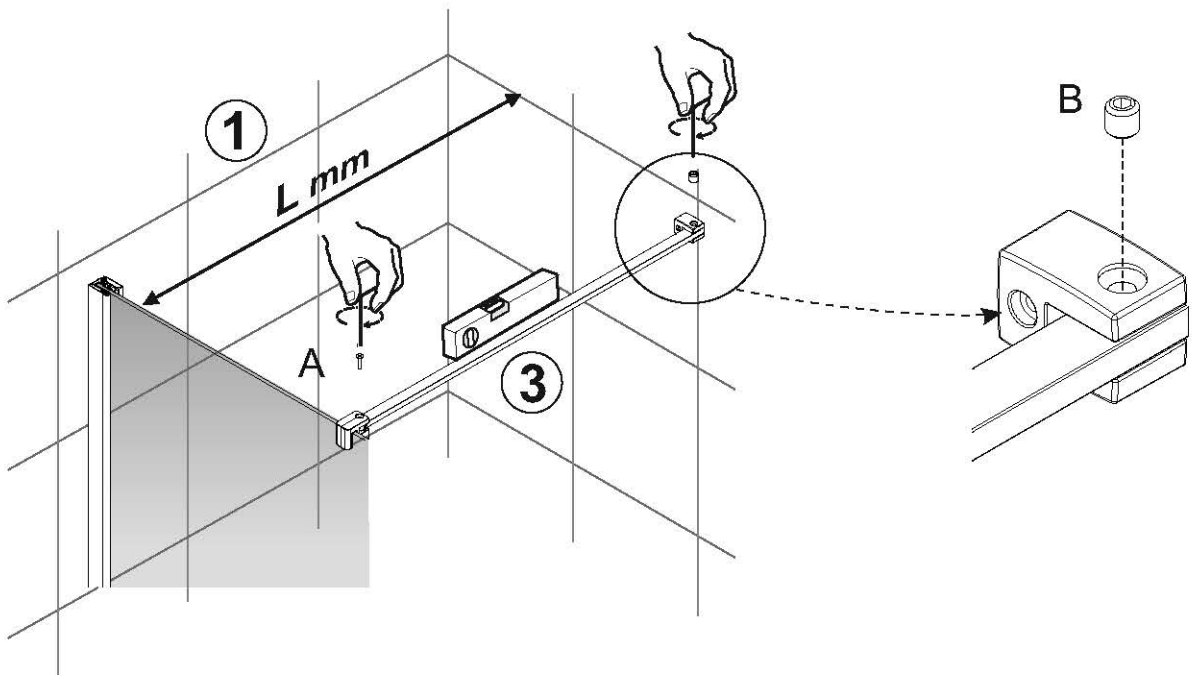
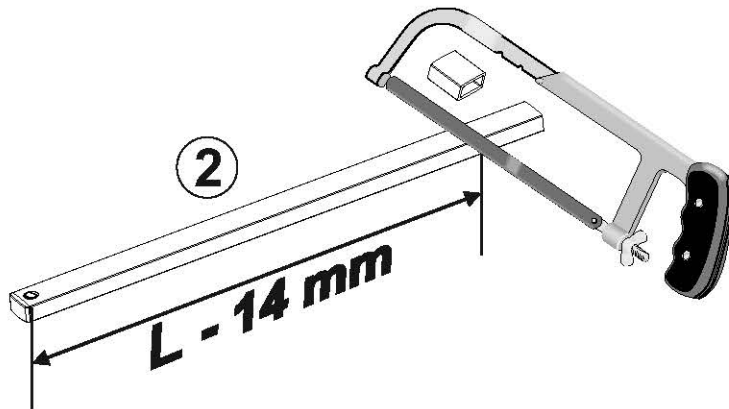


T2 00093

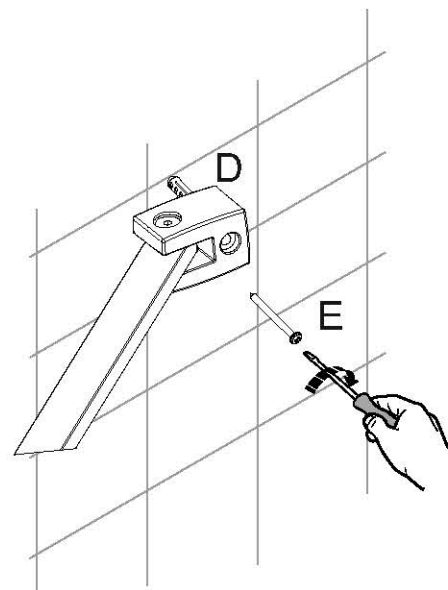
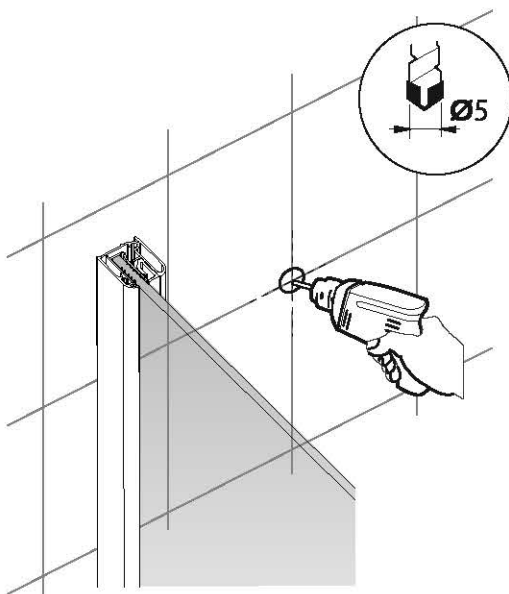
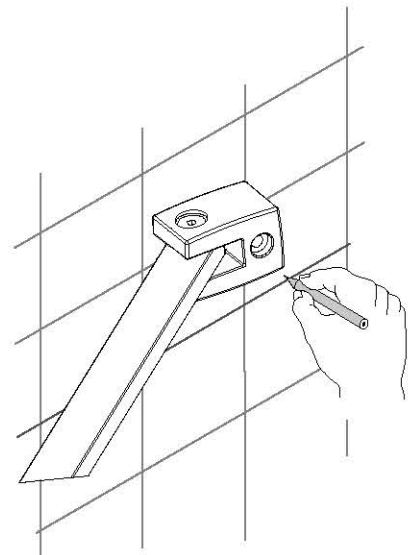
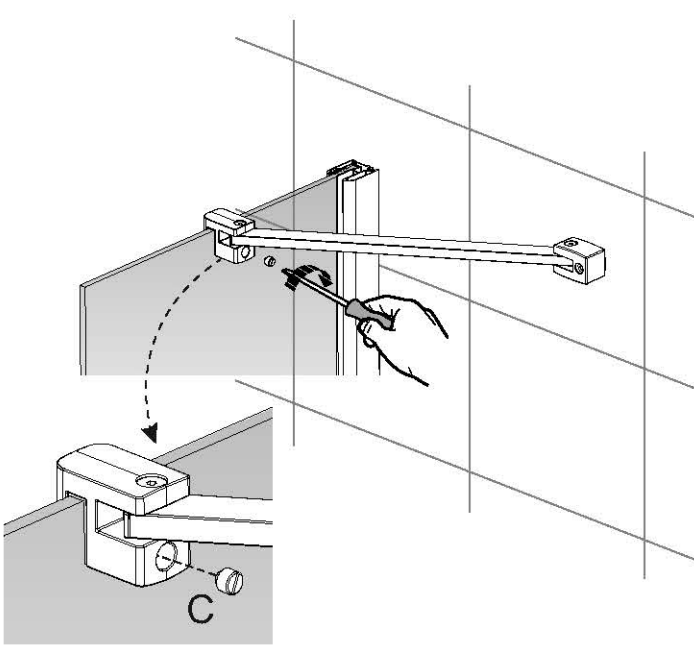
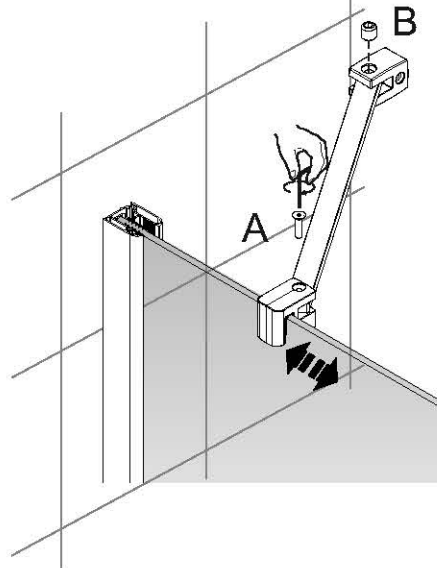
T3S0034



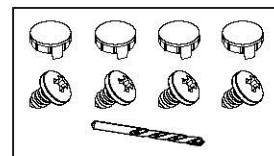
$X > 650 \text{ mm}$



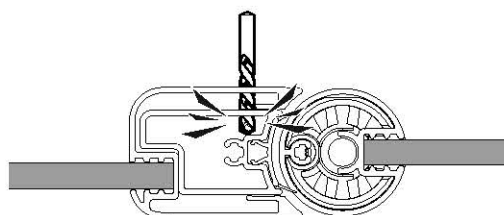
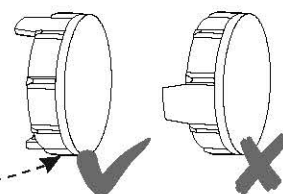
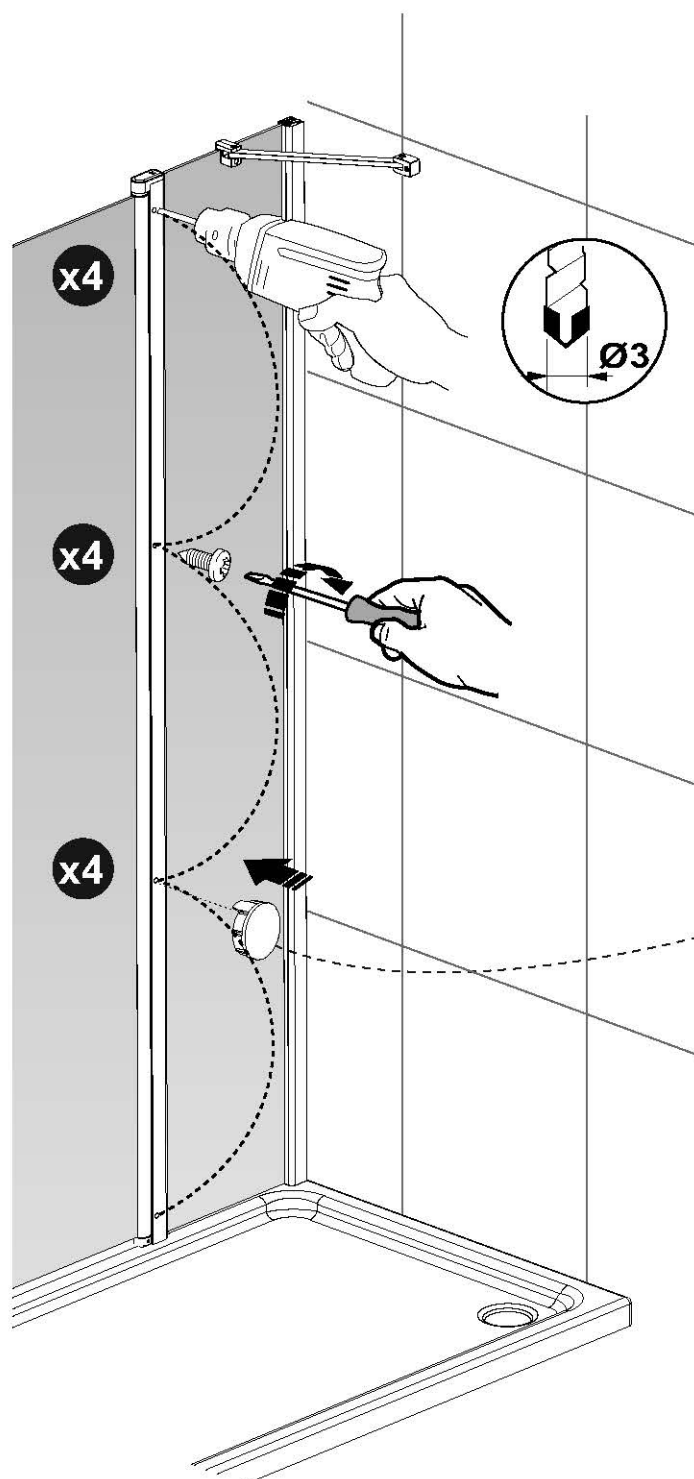
X < 650 mm



T2 00027

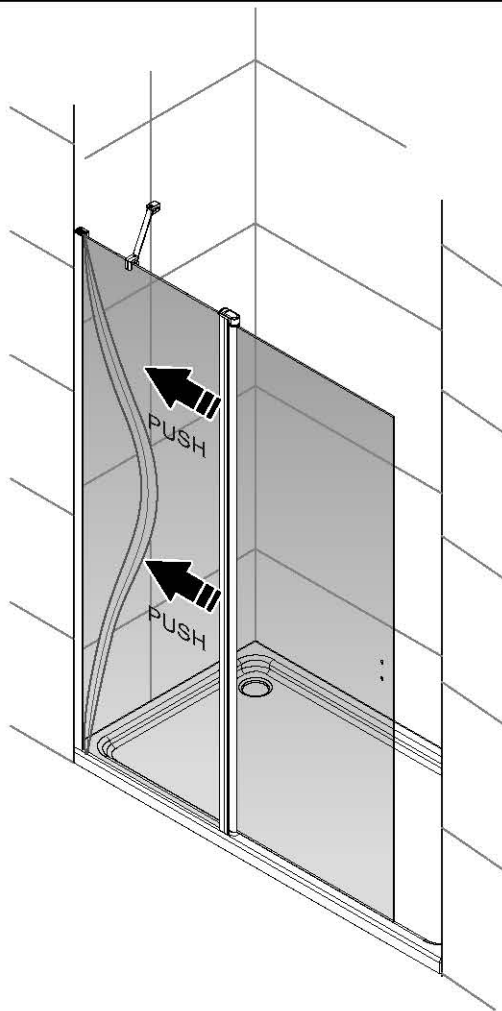


3.5x6.5



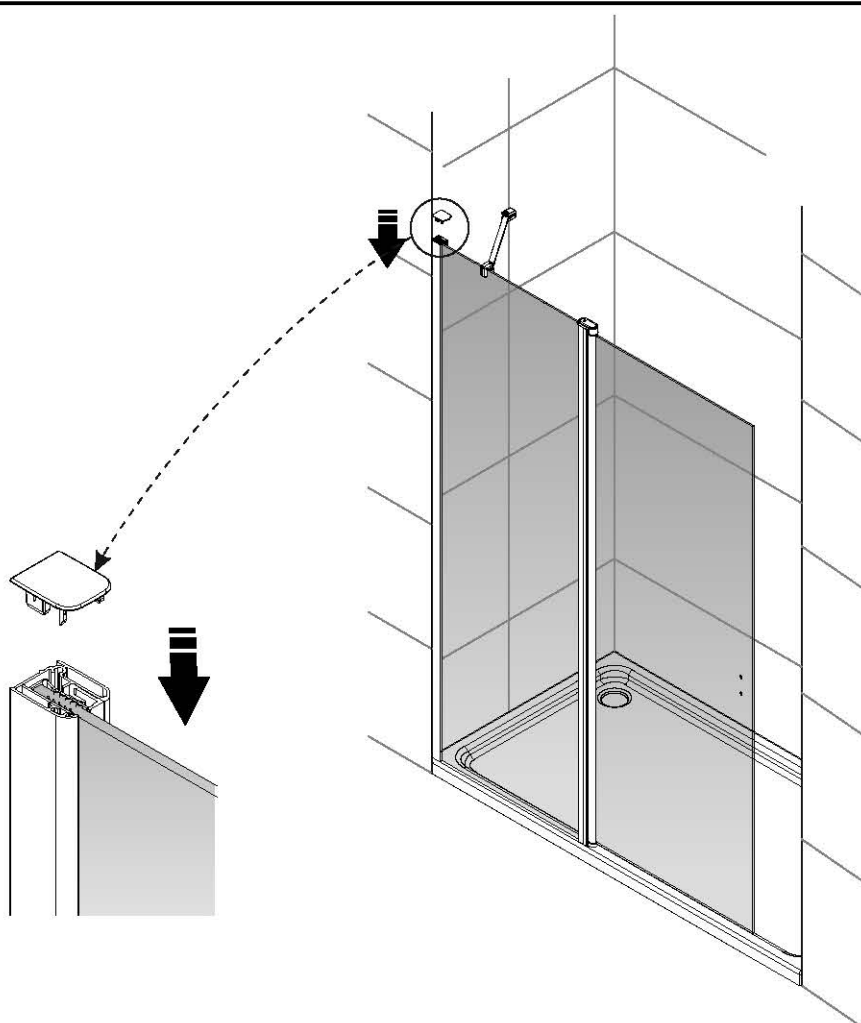
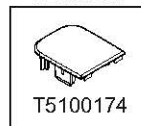
10

T3S0073

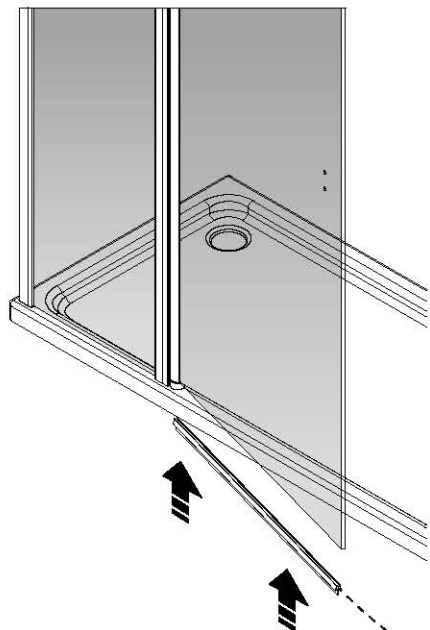


11

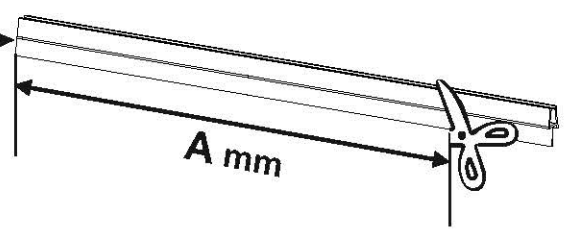
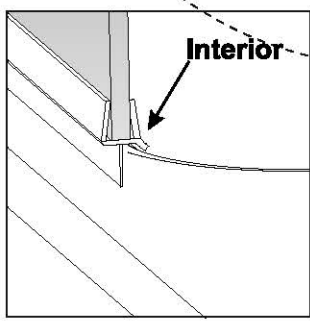
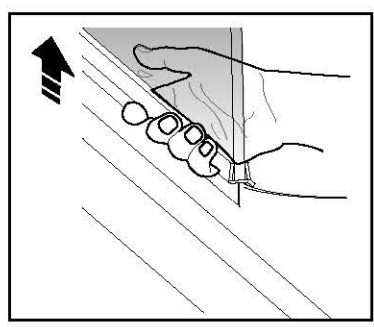
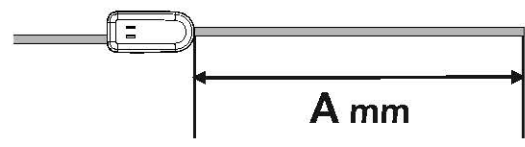
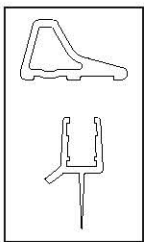
T2 00097



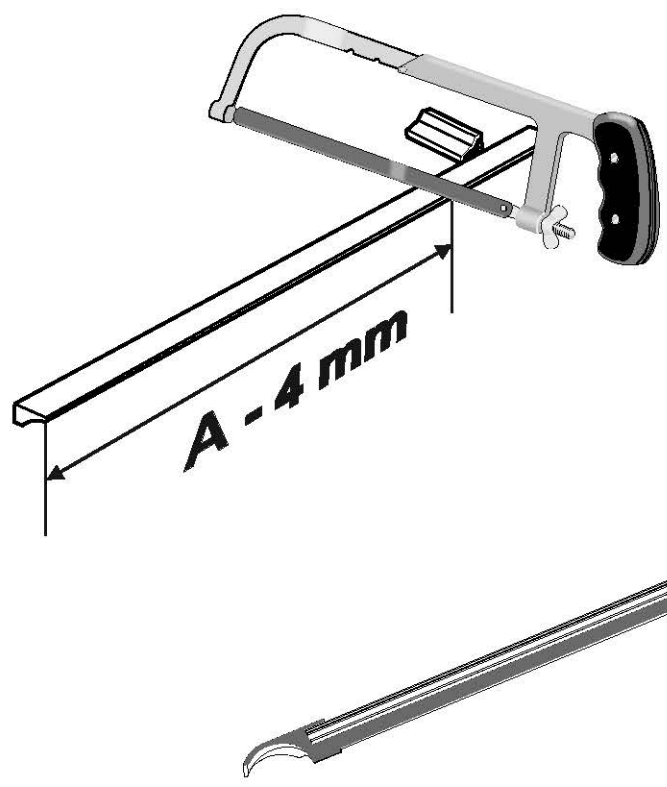
12



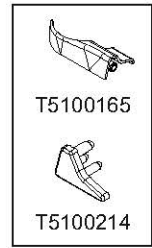
T4S0043



13

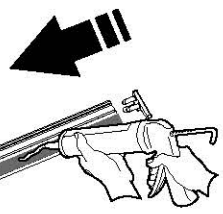


T2 00030

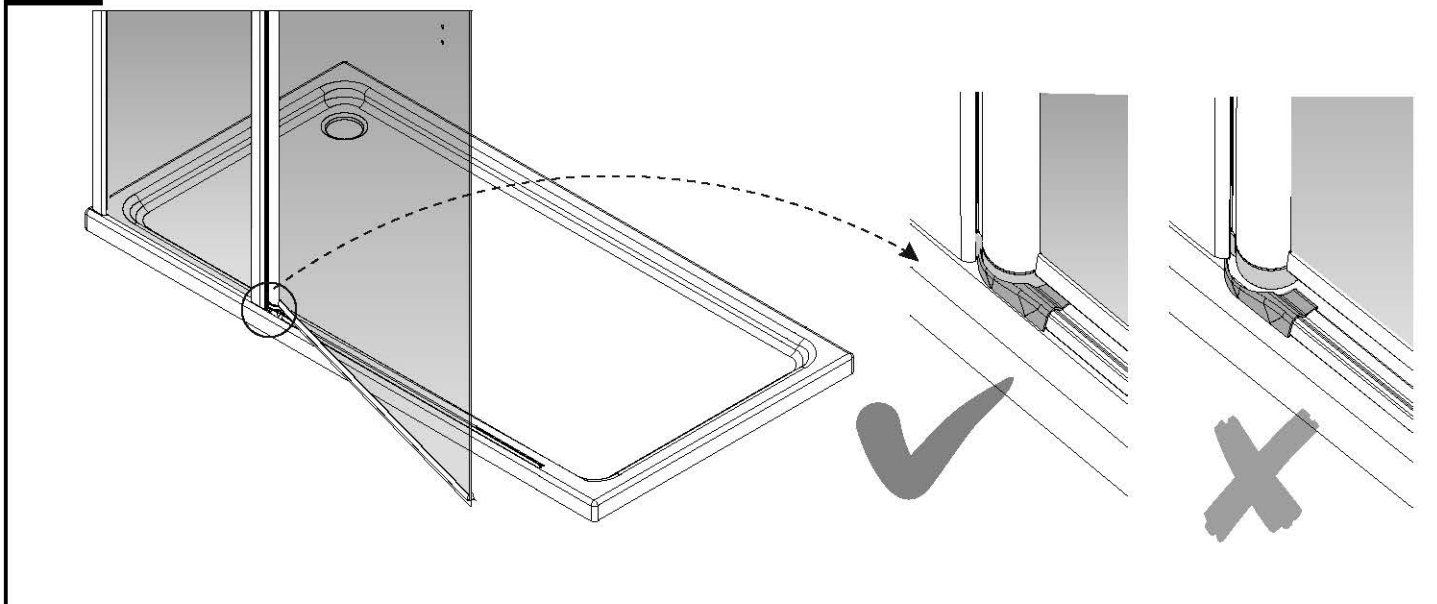


T5100165

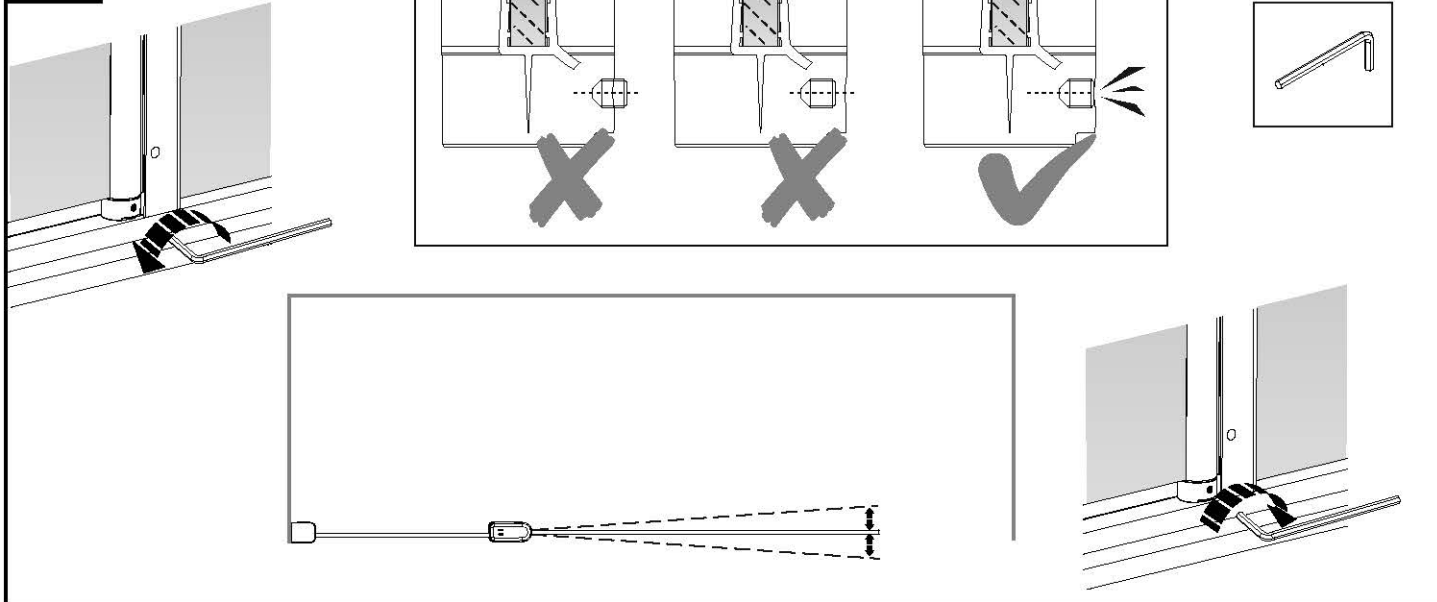
T5100214



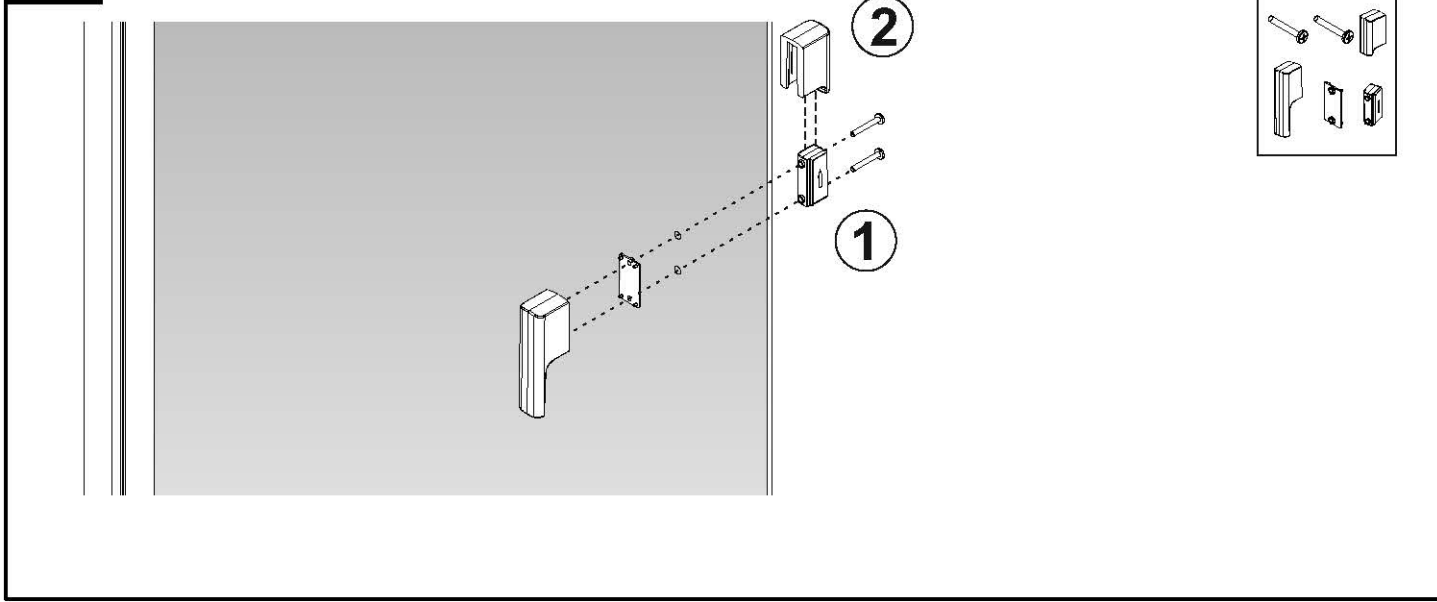
14



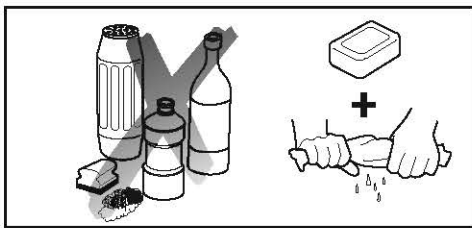
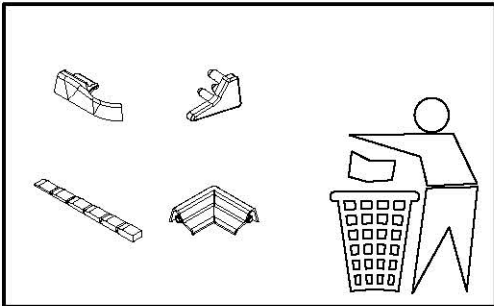
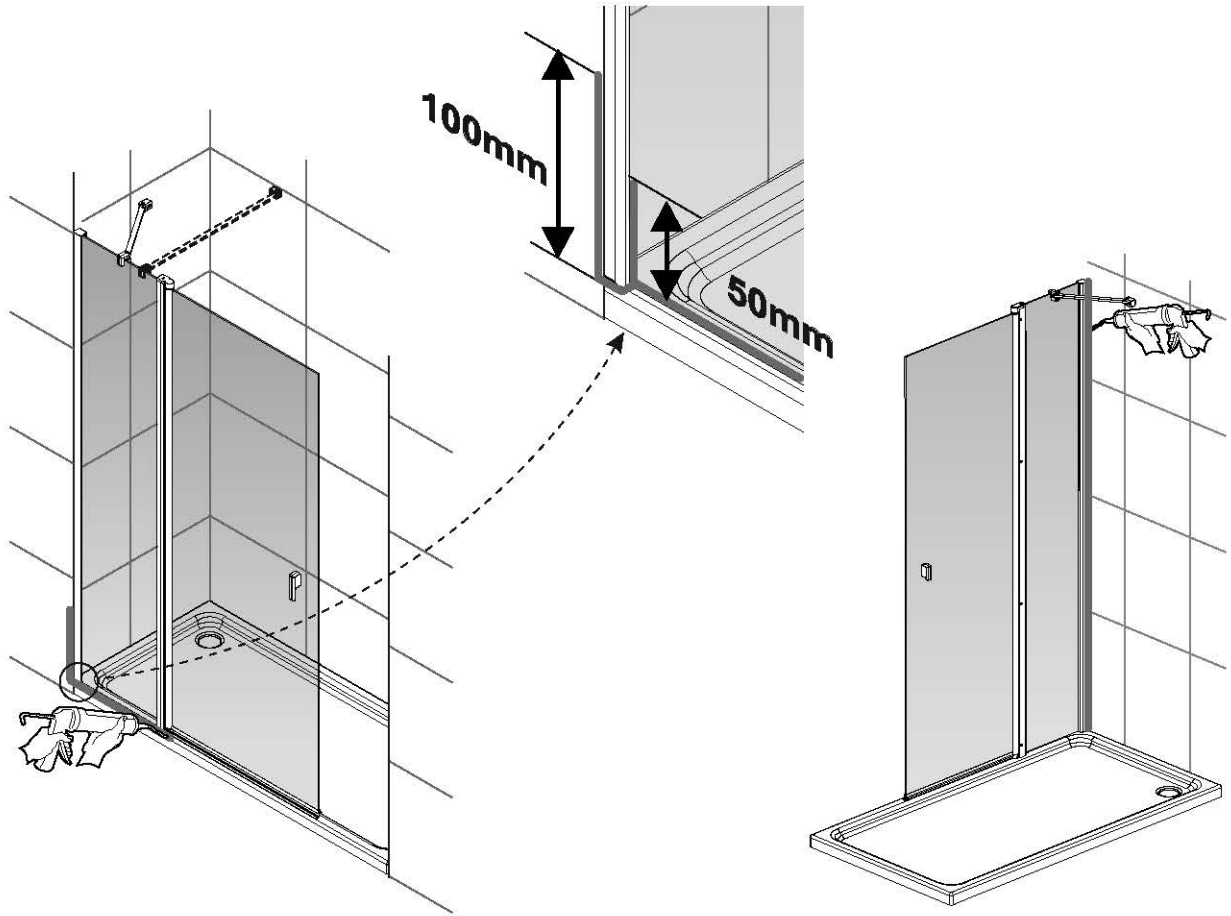
15



16



17



V6



Roca Sanitario, S.A.

Avda. Diagonal, 513
 08029 Barcelona - SPAIN
 Teléfono 93 366 1200
 Fax 93 419 4501
 www.roca.es

Roca

**902
 304
 848**  **LÍNEA DE
 ATENCIÓN AL
 CONSUMIDOR
 ESPAÑA**