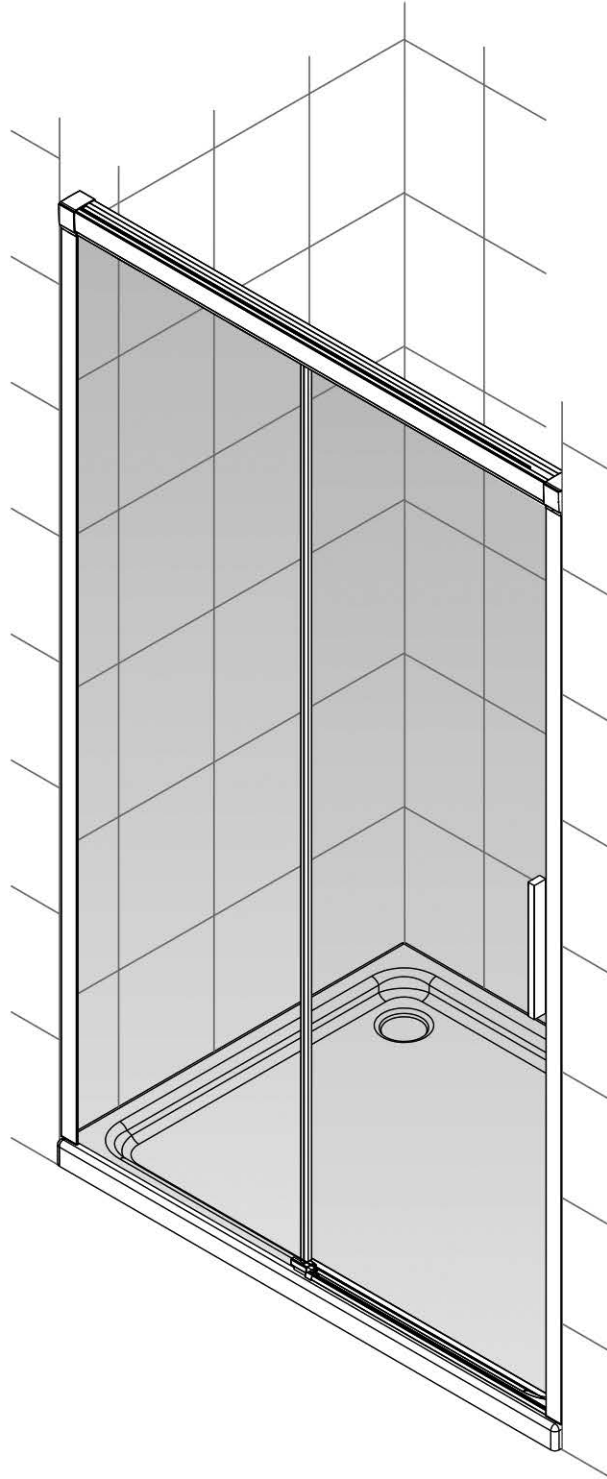
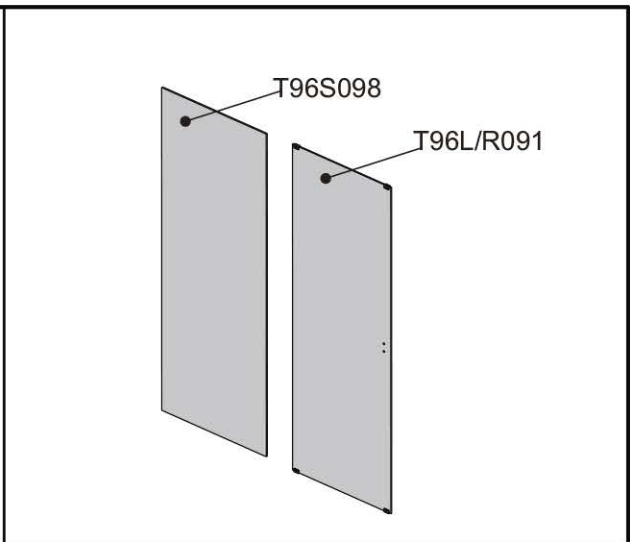
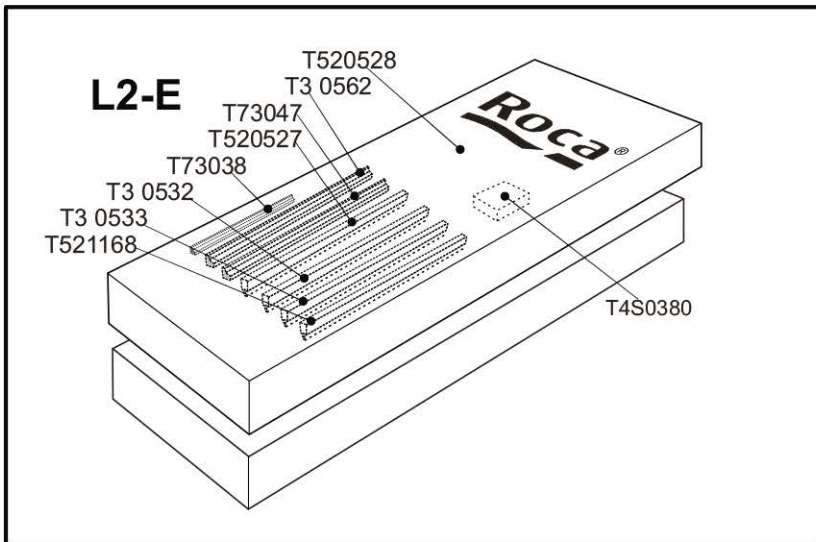











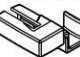





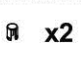




Roca

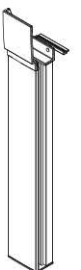
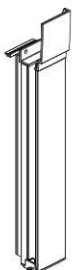


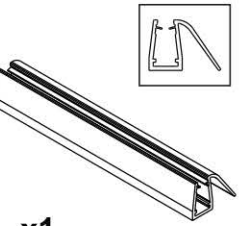
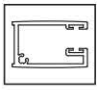
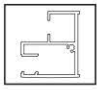

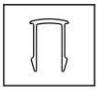

FUSION-N L2-E

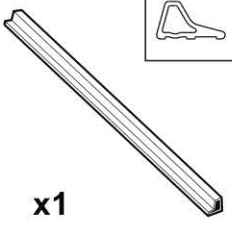

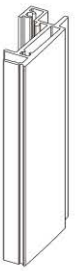
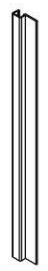

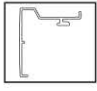
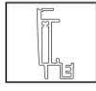
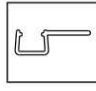


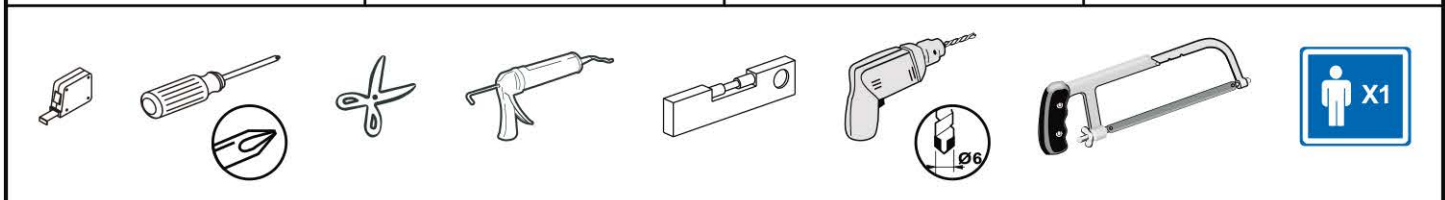


T4S0380

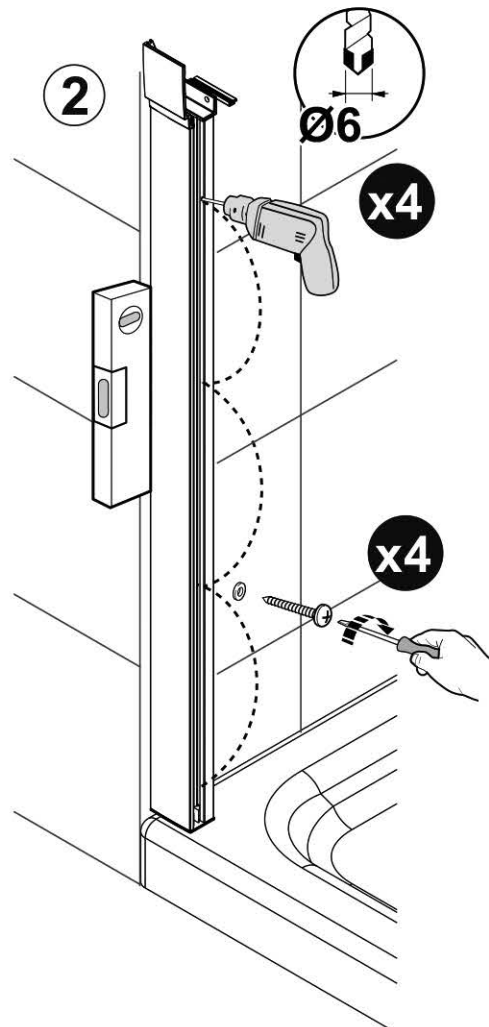
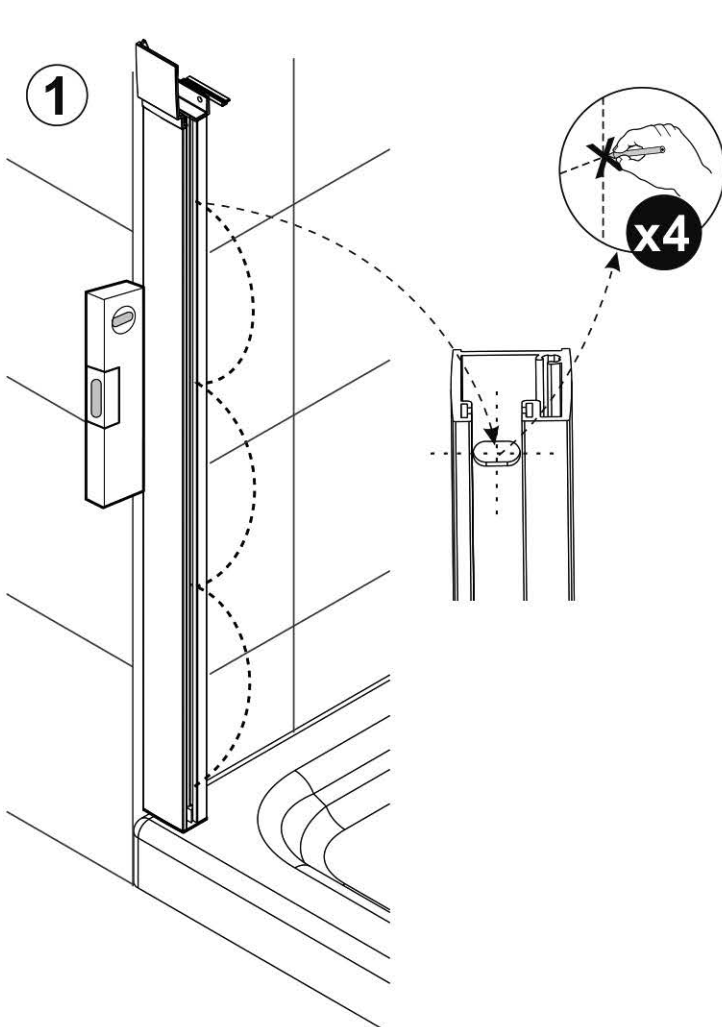
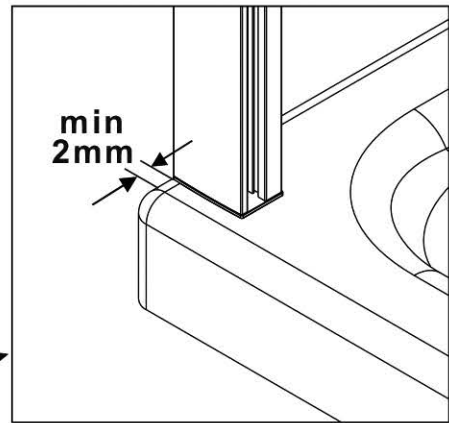
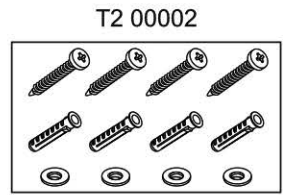
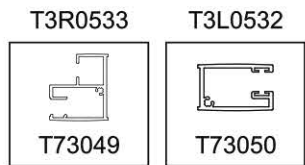
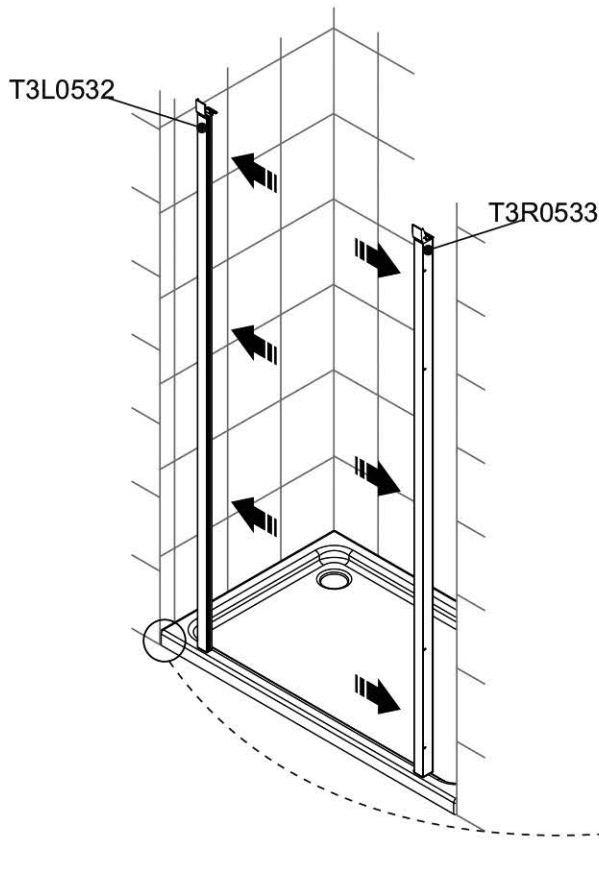
T2 00002	 x8	 Ø6 x8	 Ø9 x8		
T2 00081	 x1 GD6071	 x1 GD6074	 x1 GD6119	 x1 GD6163	
T2 00175	 x2				
T2 00181(L)	 x1 T5100232	 x1 T5100235	 x1 T5100237		
T2 00182(R)	 x1 T5100232	 x1 T5100236	 x1 T5100238		
T2 00184	 x1	 x2			
T2 00185	 x4	 x2	 Ø3 x2		
T520587	 x2				

T3L/R0532	T3L/R0533	T3L/R0533	T3L/R0532	T520528
				
				
x1 T73050	x1 T73049	x1 T520084	x1 T72032	x1

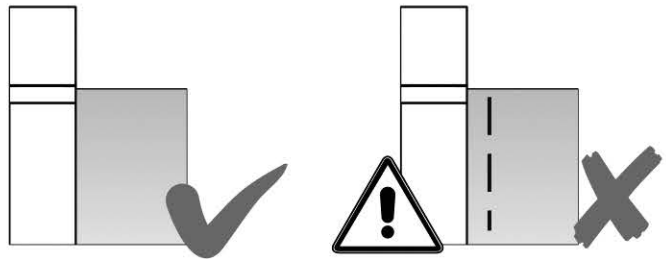
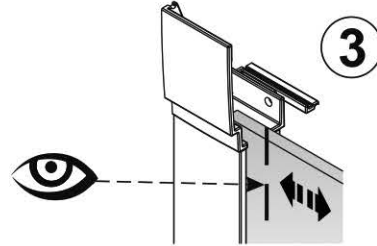
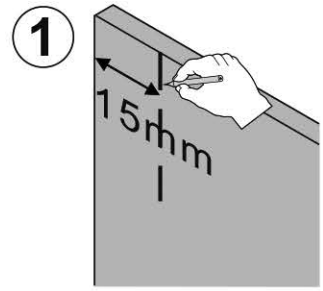
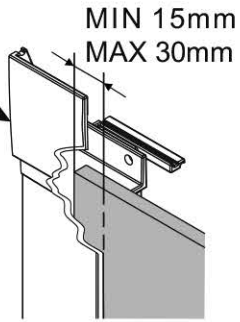
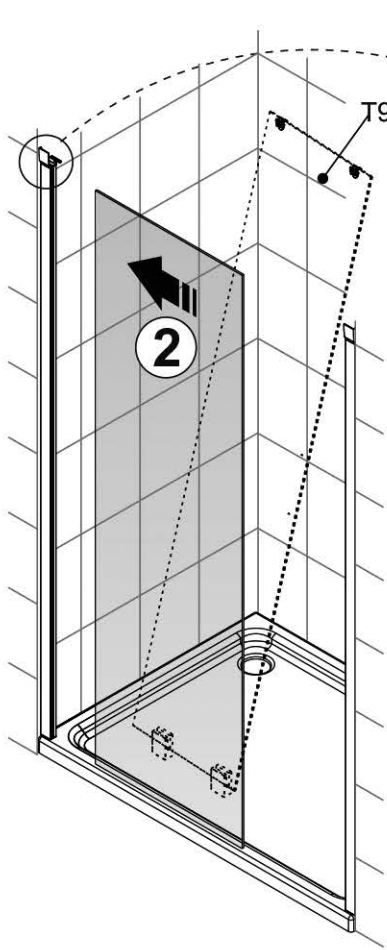
T73038	T73047	T3L/R0562	T520596
			
			
x1	x1	x1 T73046	x2



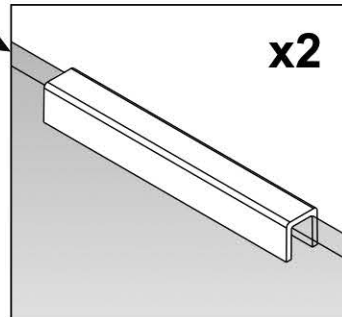
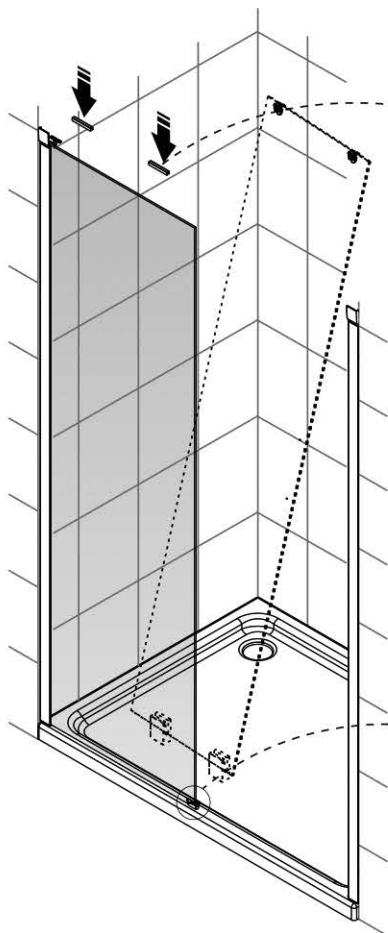
1



2

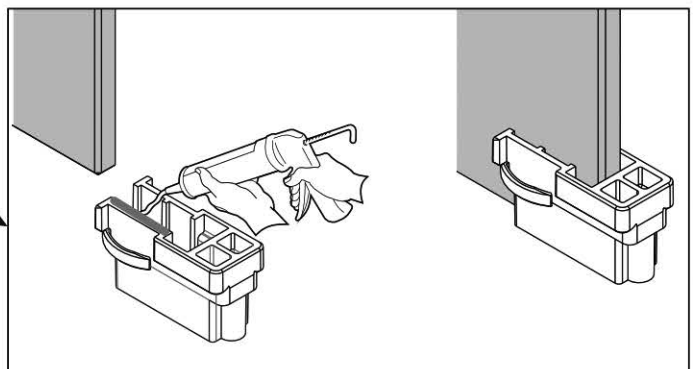
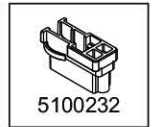
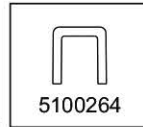


3



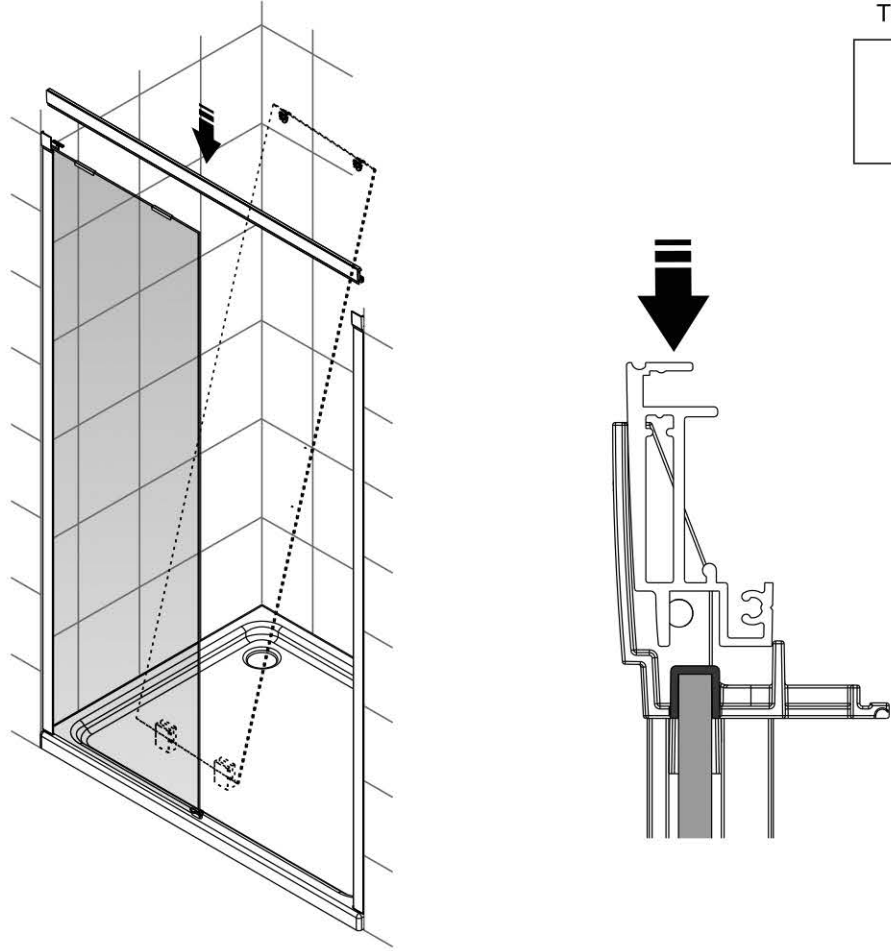
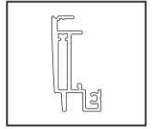
T2 00185

T2 00181

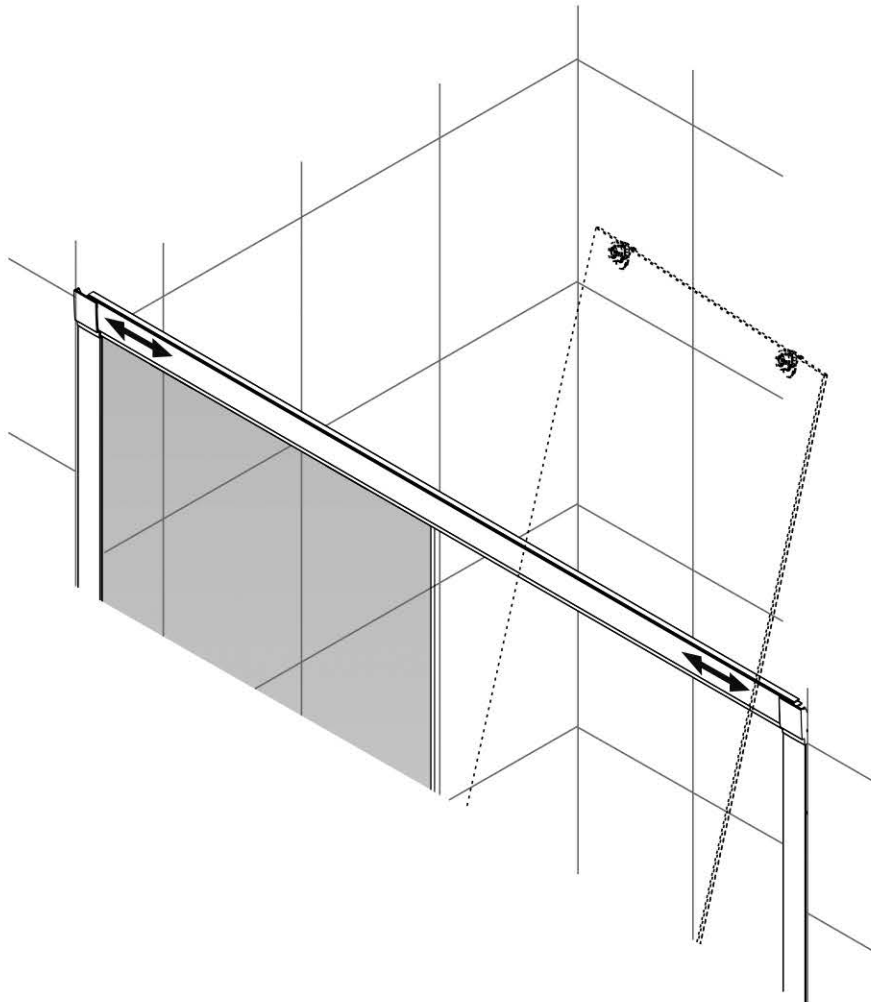


4

T3L0562

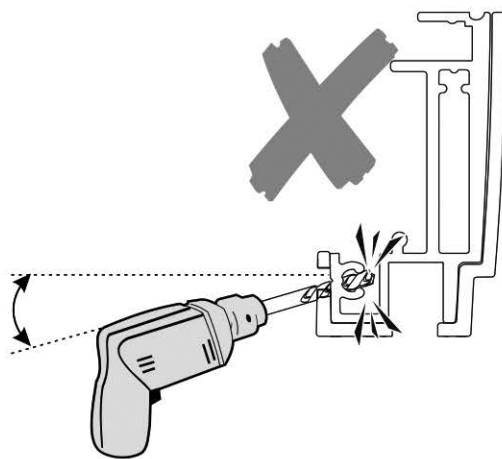
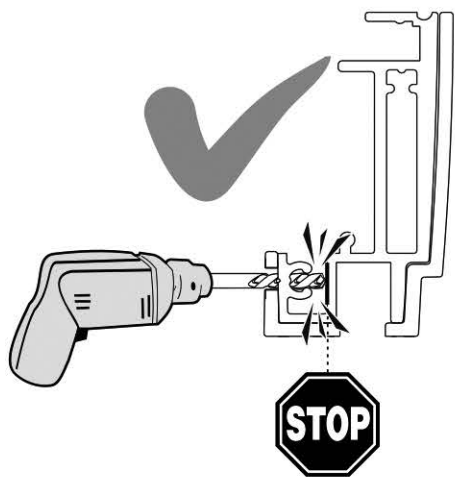
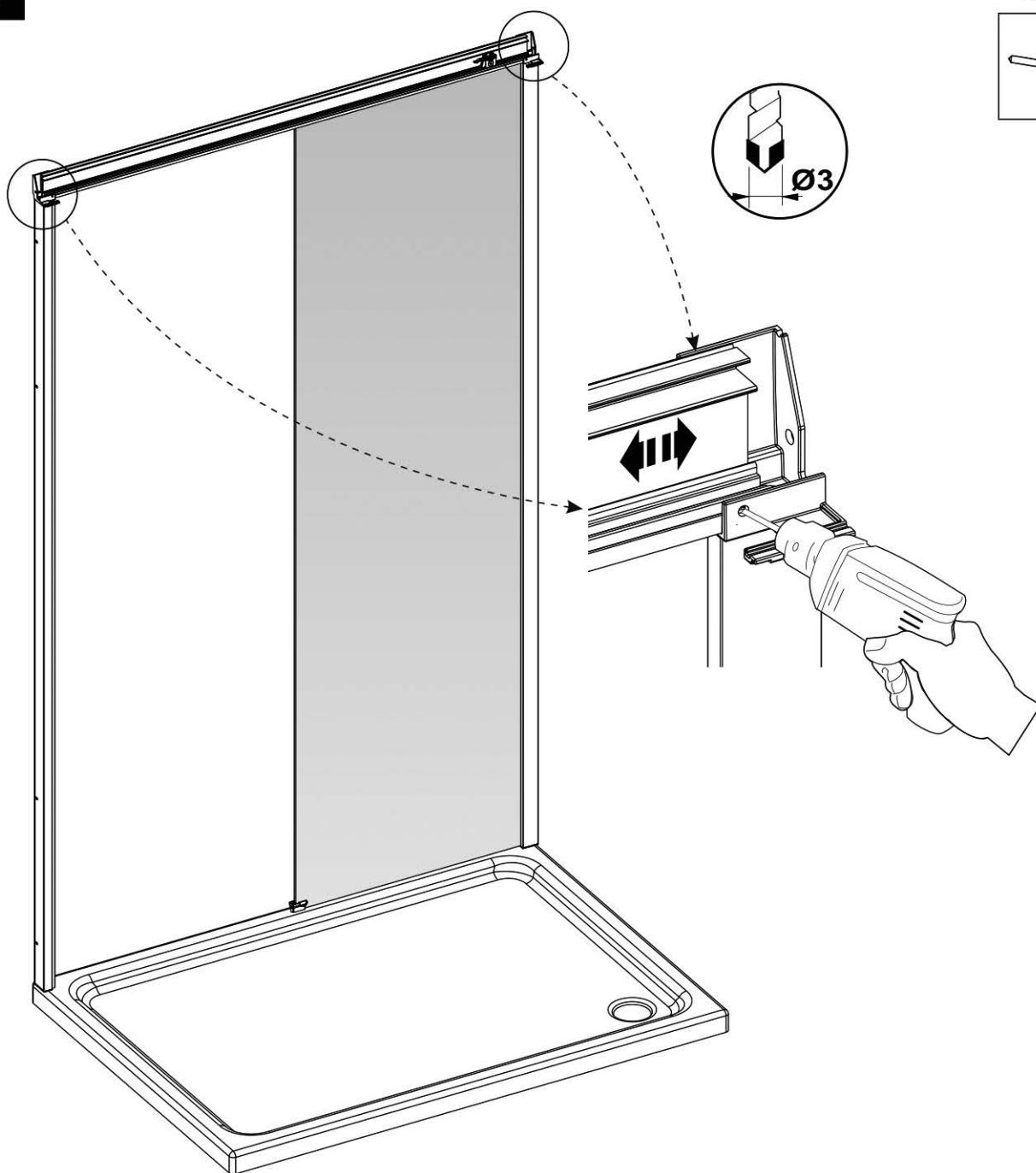
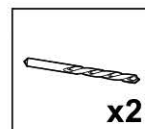


5



6

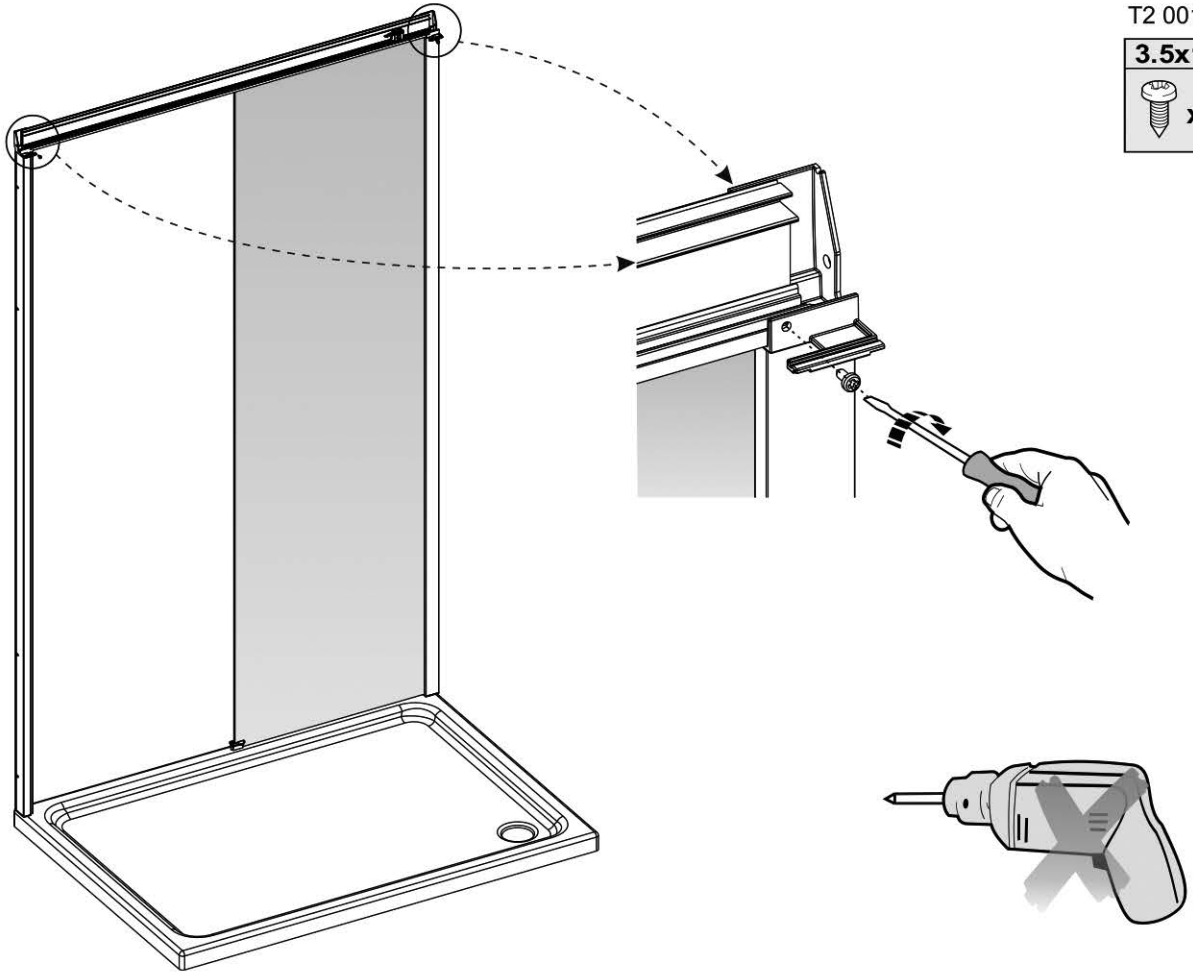
T200185



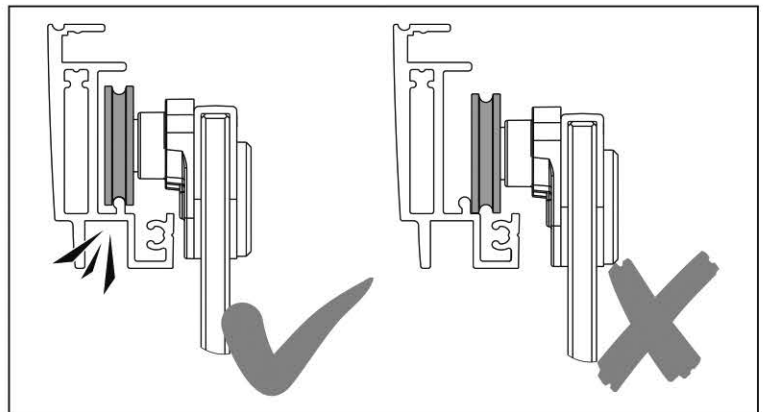
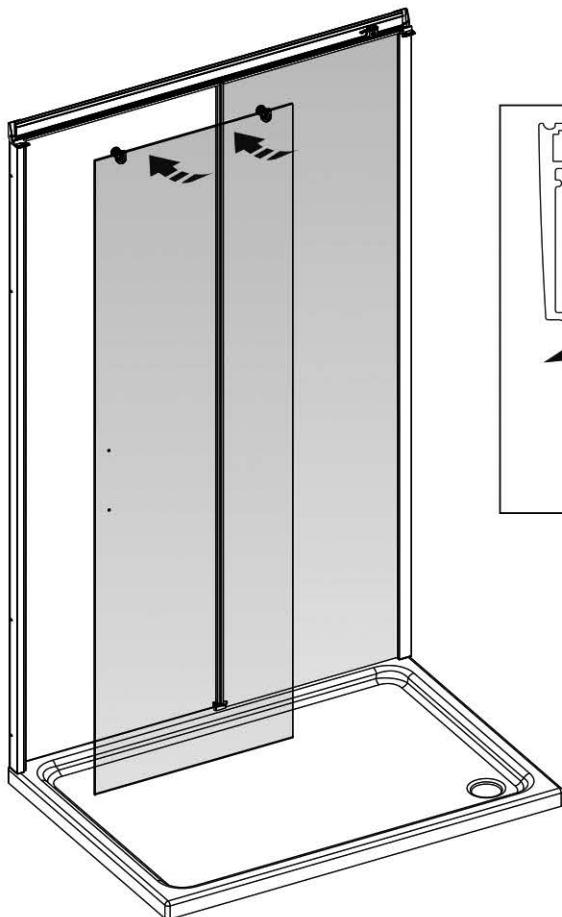
7

T2 00185

3.5x13



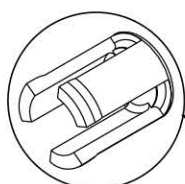
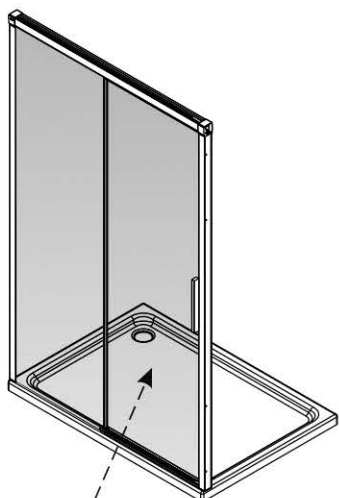
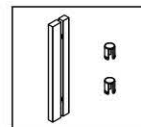
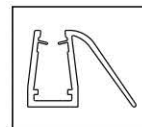
8



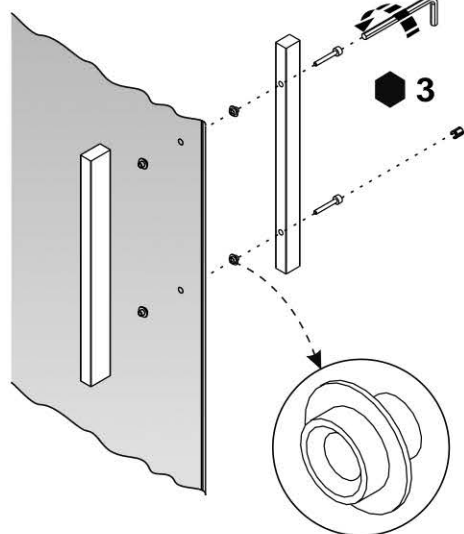
9

T520528

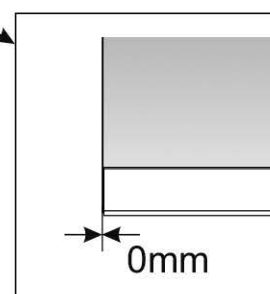
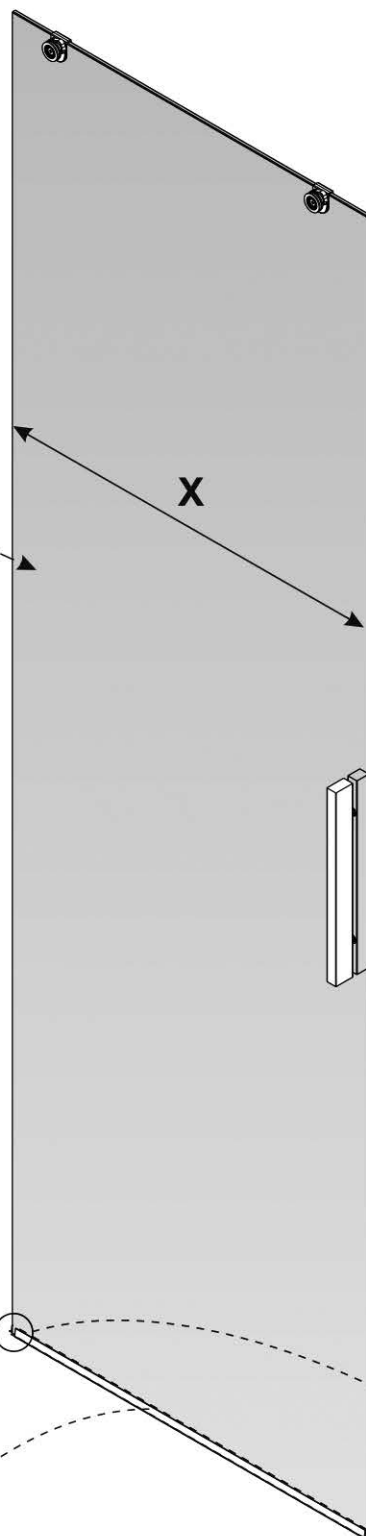
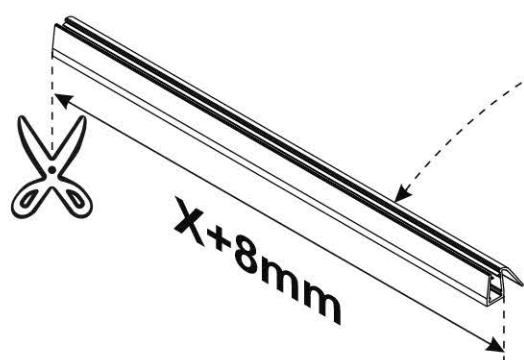
T200184



1

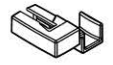


2

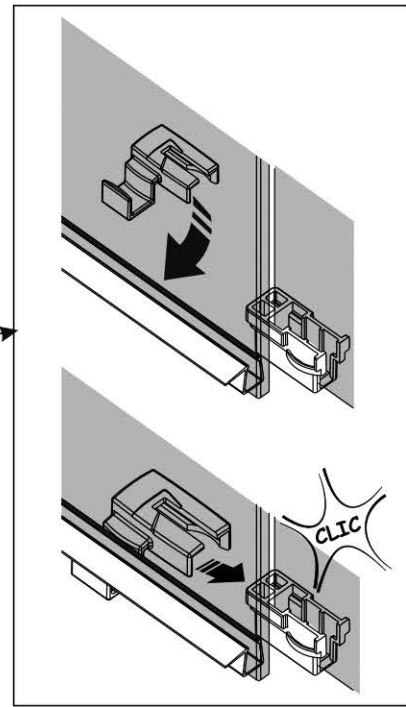
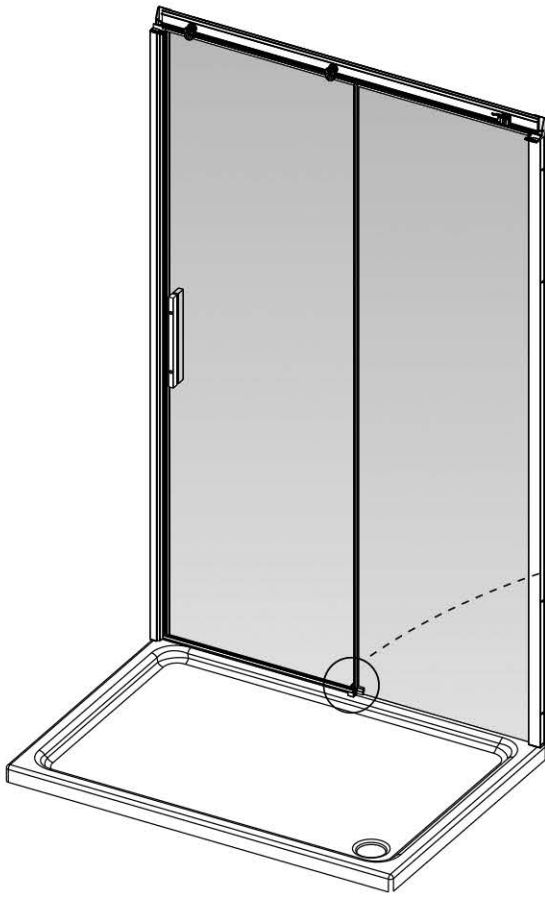


10

T200181

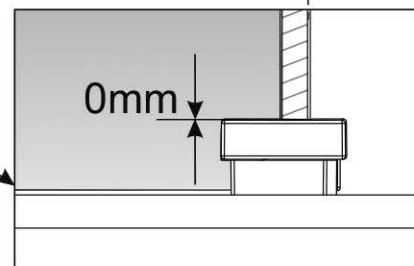
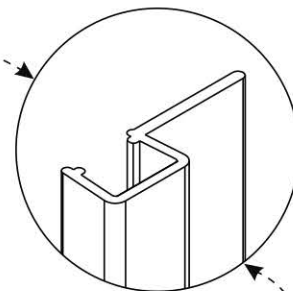
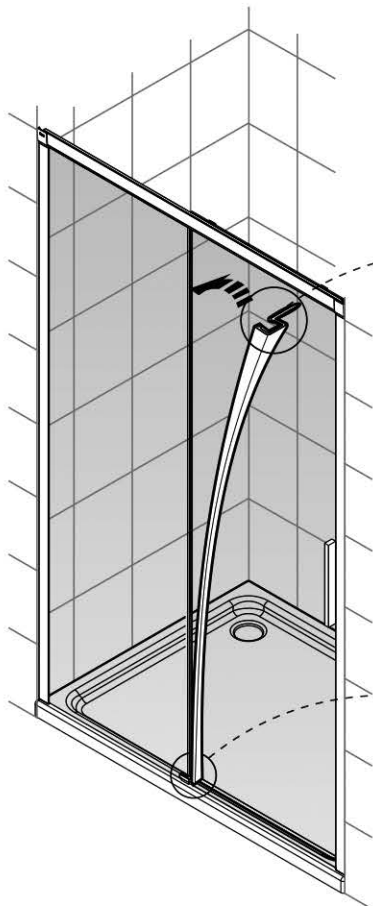
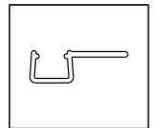


T5100235



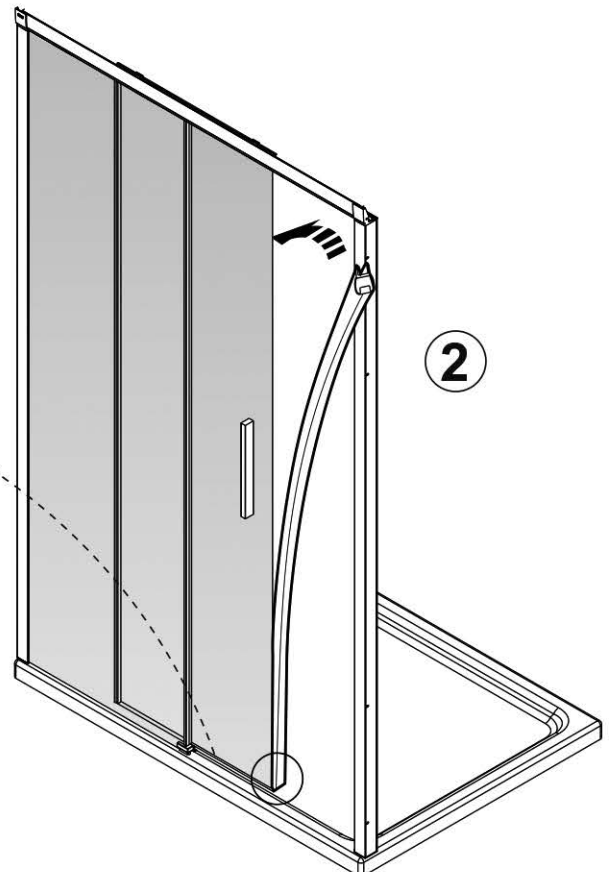
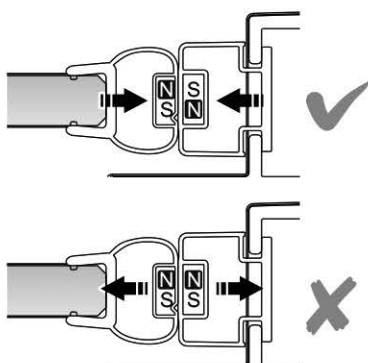
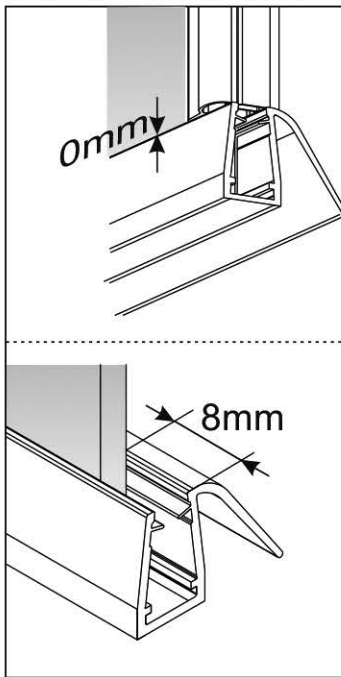
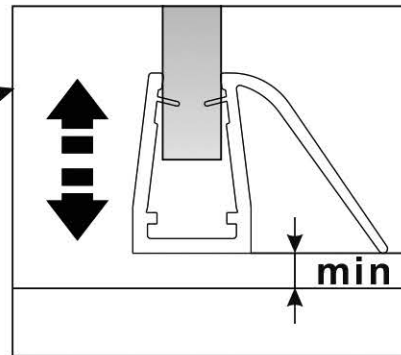
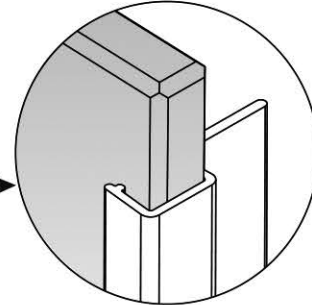
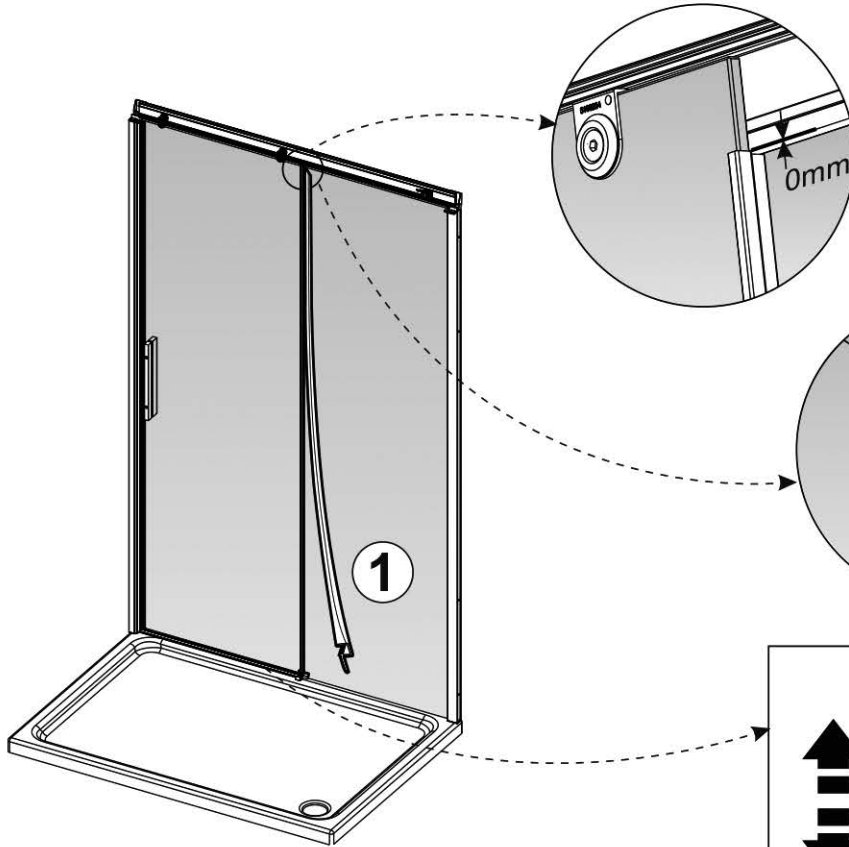
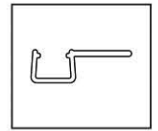
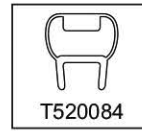
11

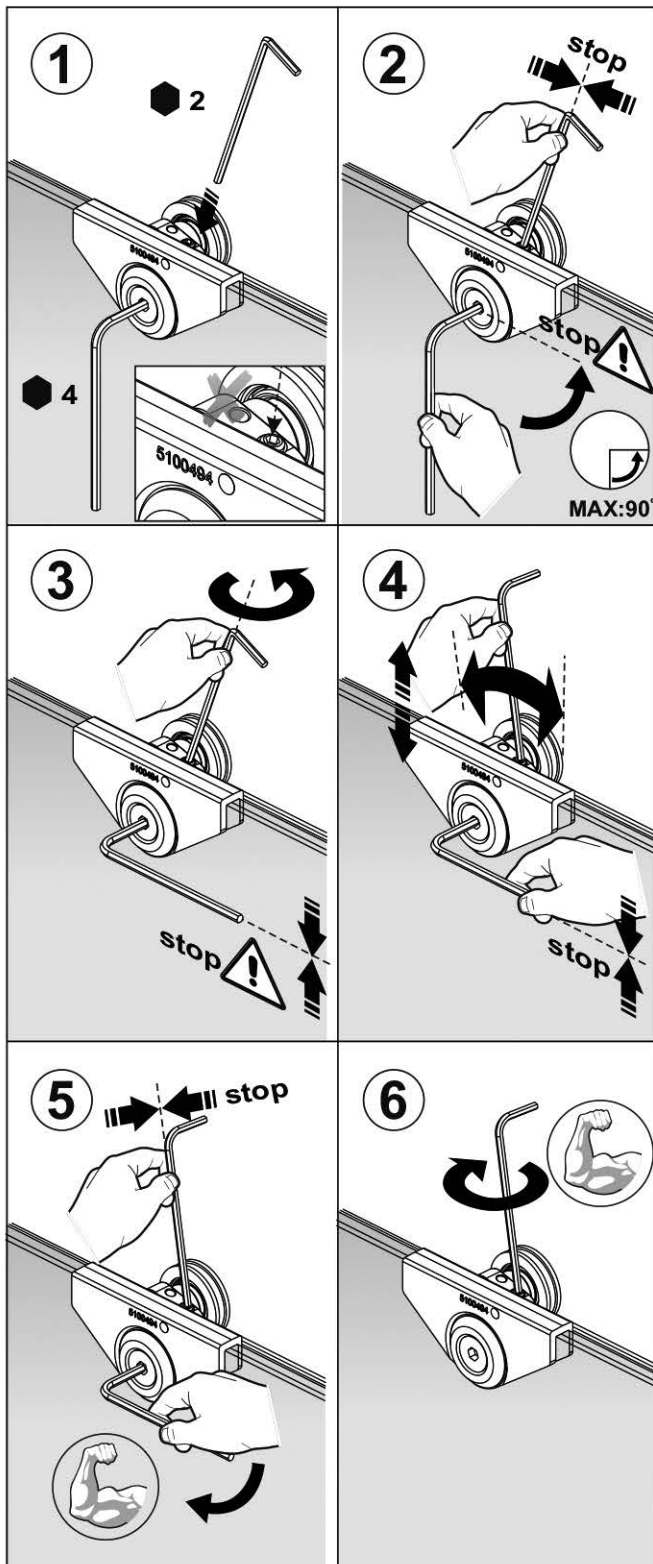
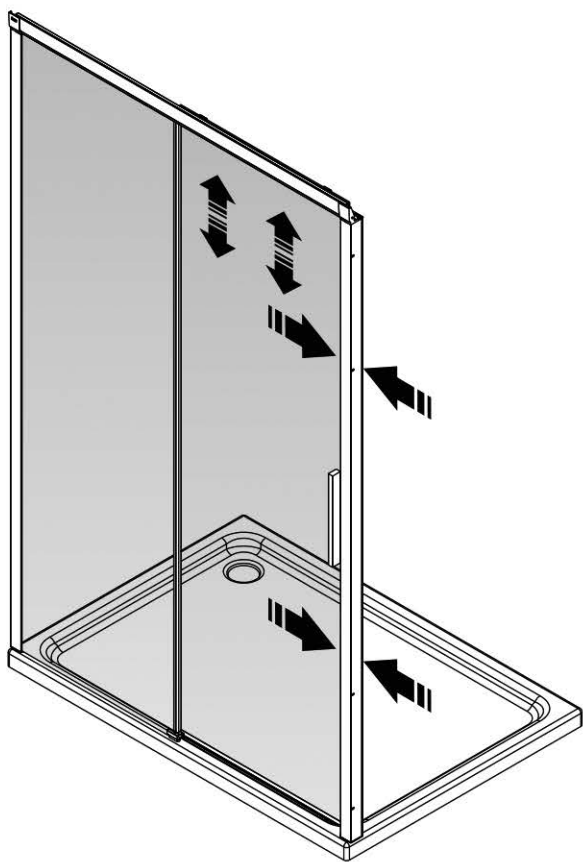
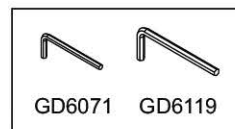
T520596



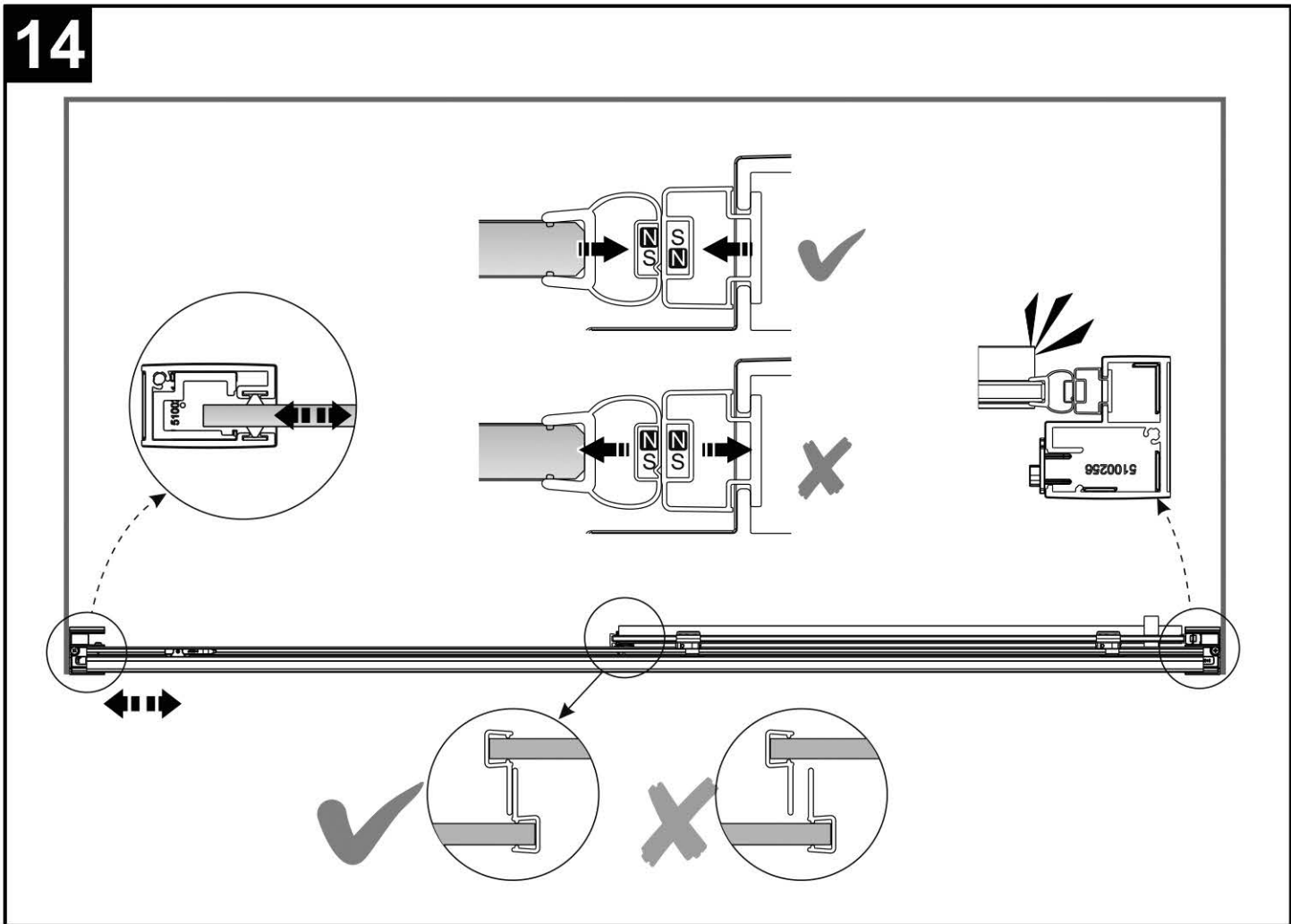
T3R0533

T520596

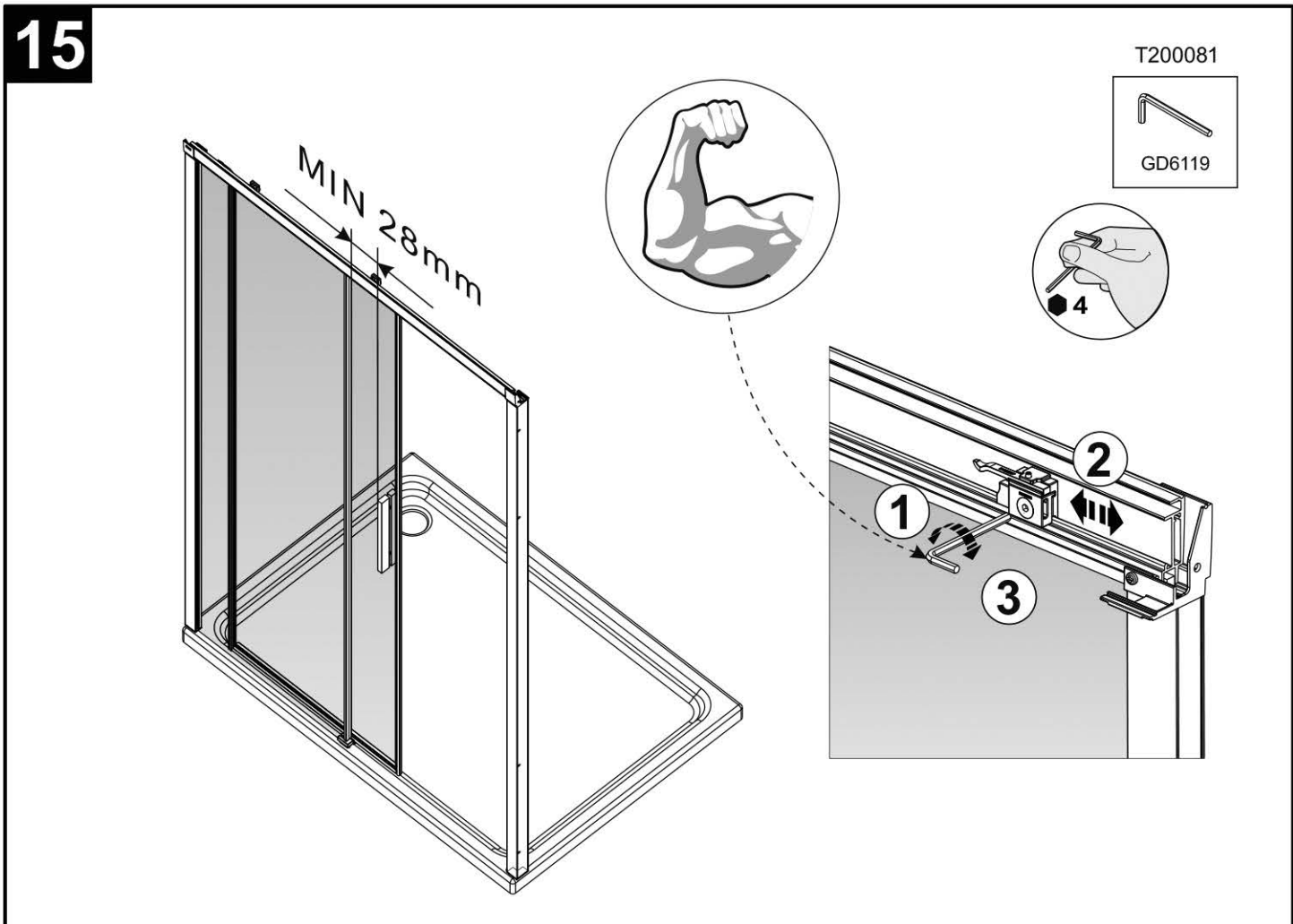




14



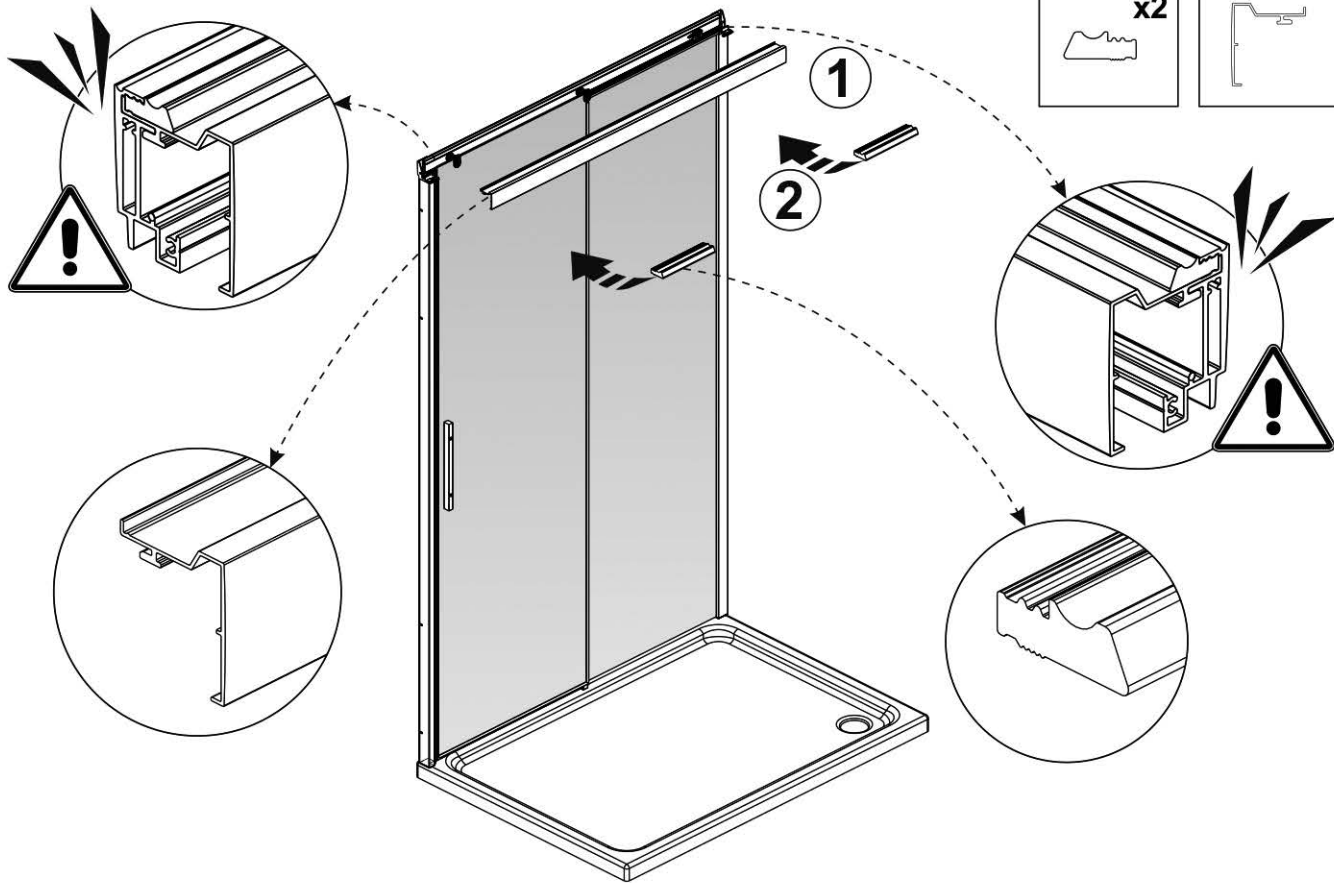
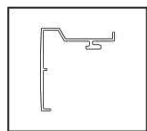
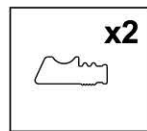
15



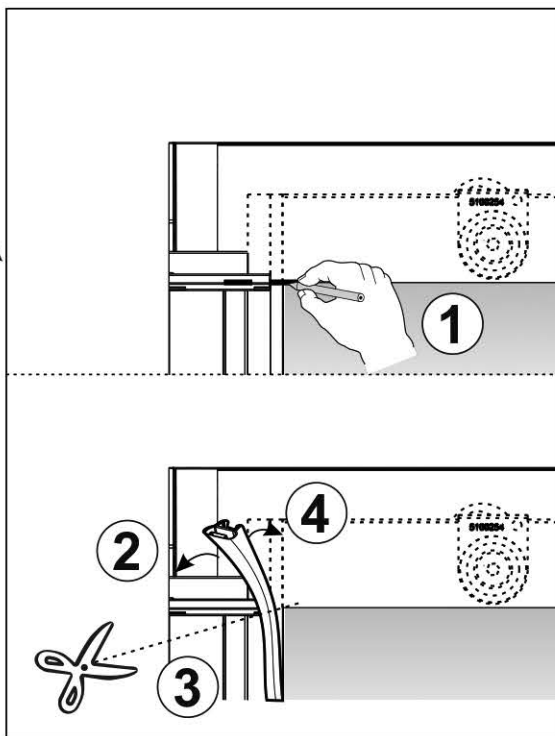
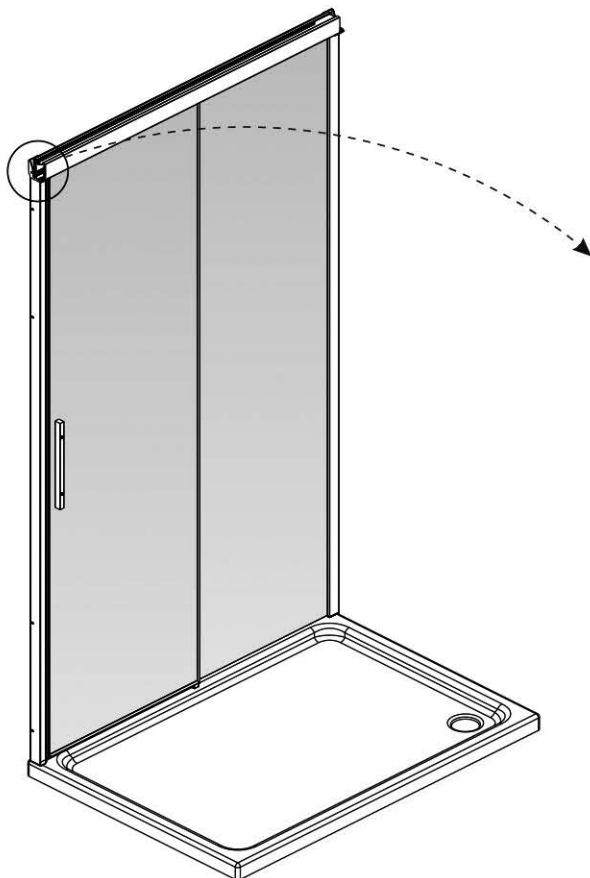
16

T520587

T73047



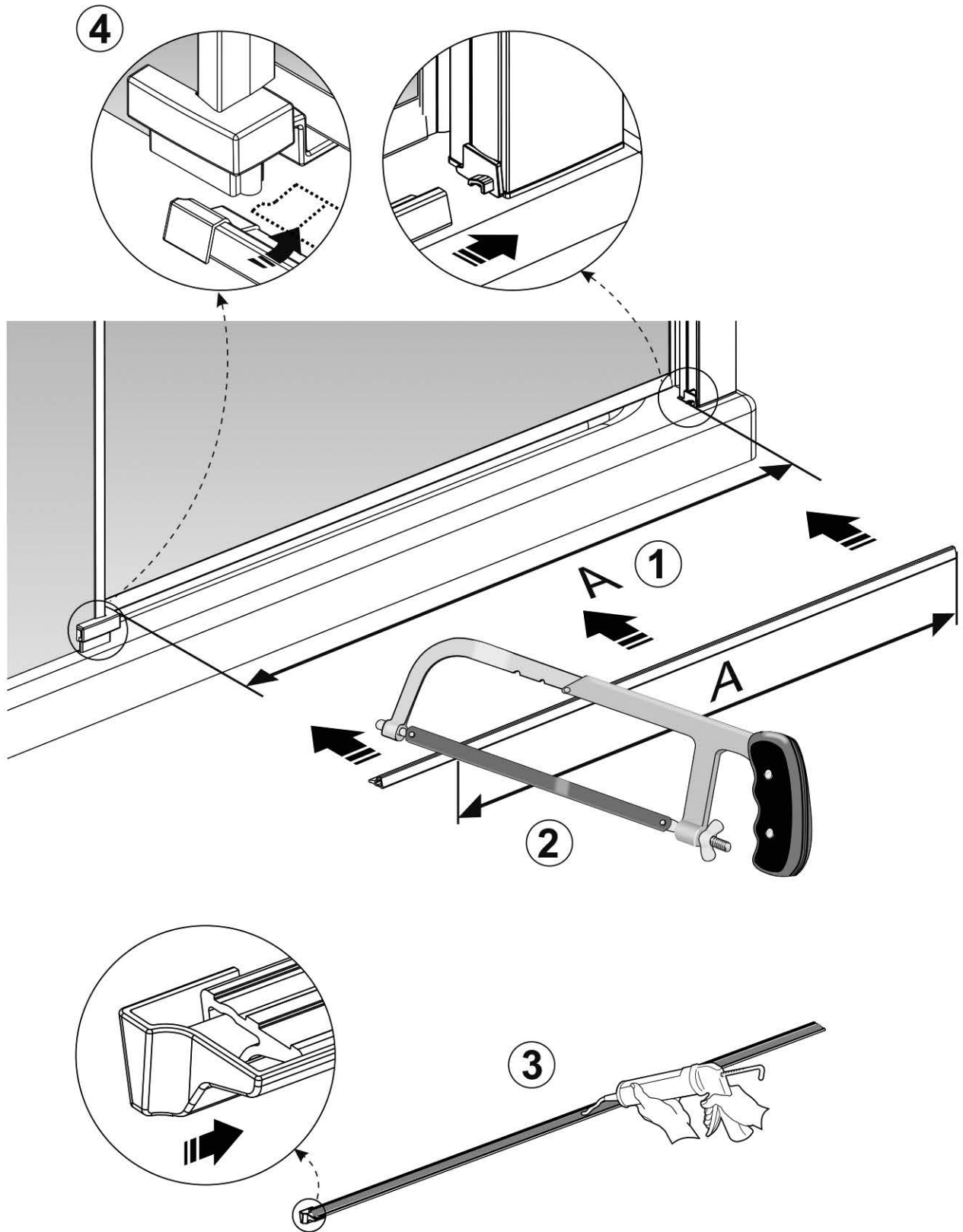
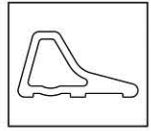
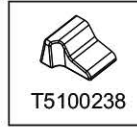
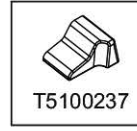
17



T2 00181

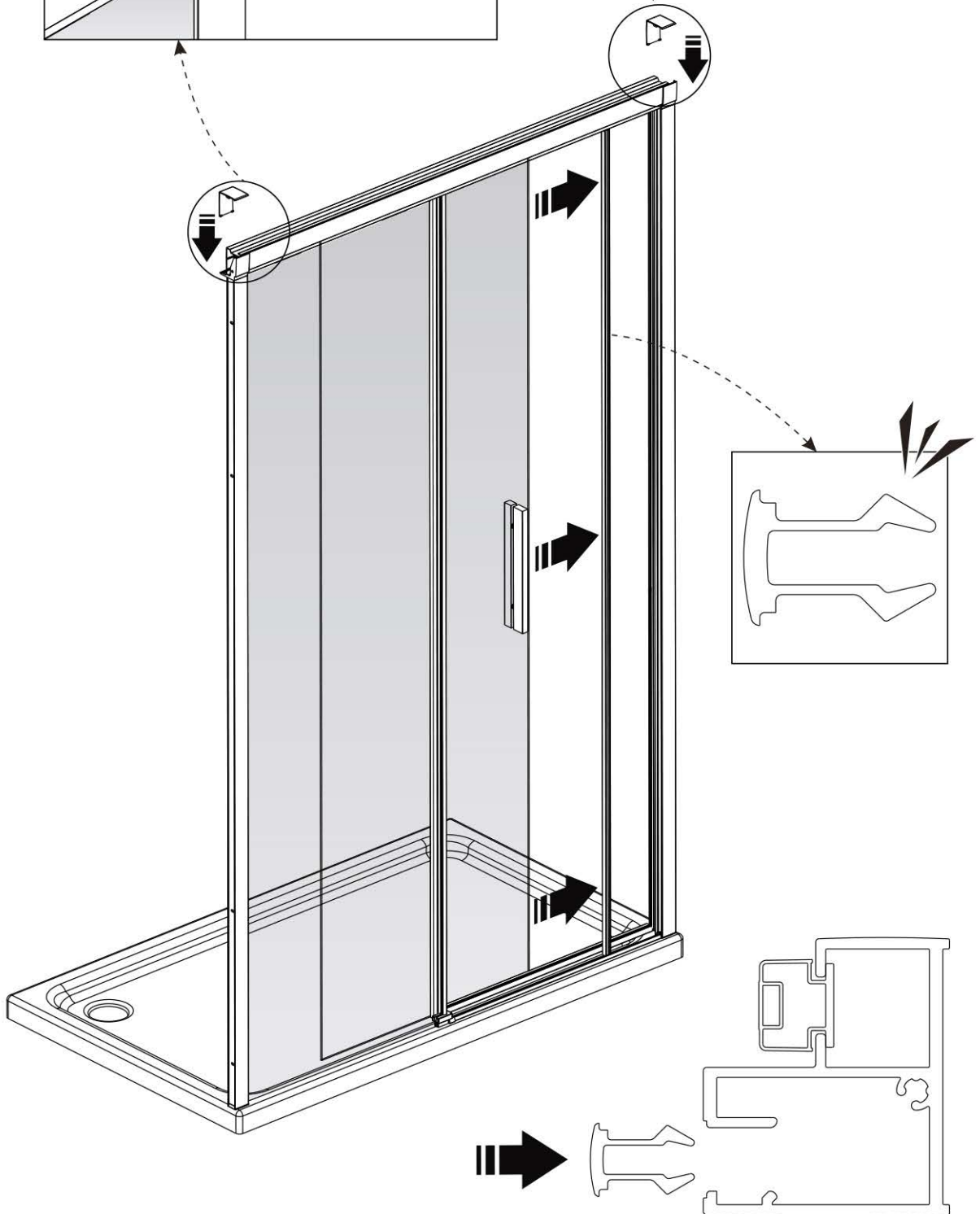
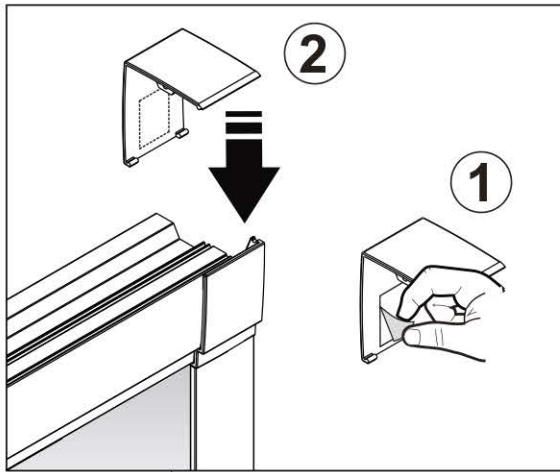
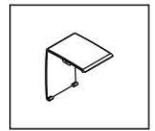
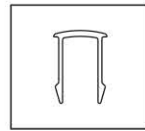
T2 00182

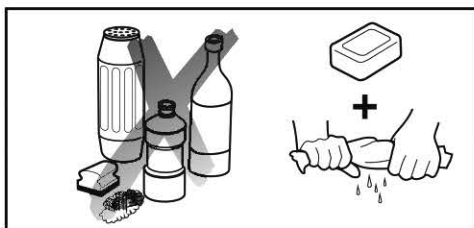
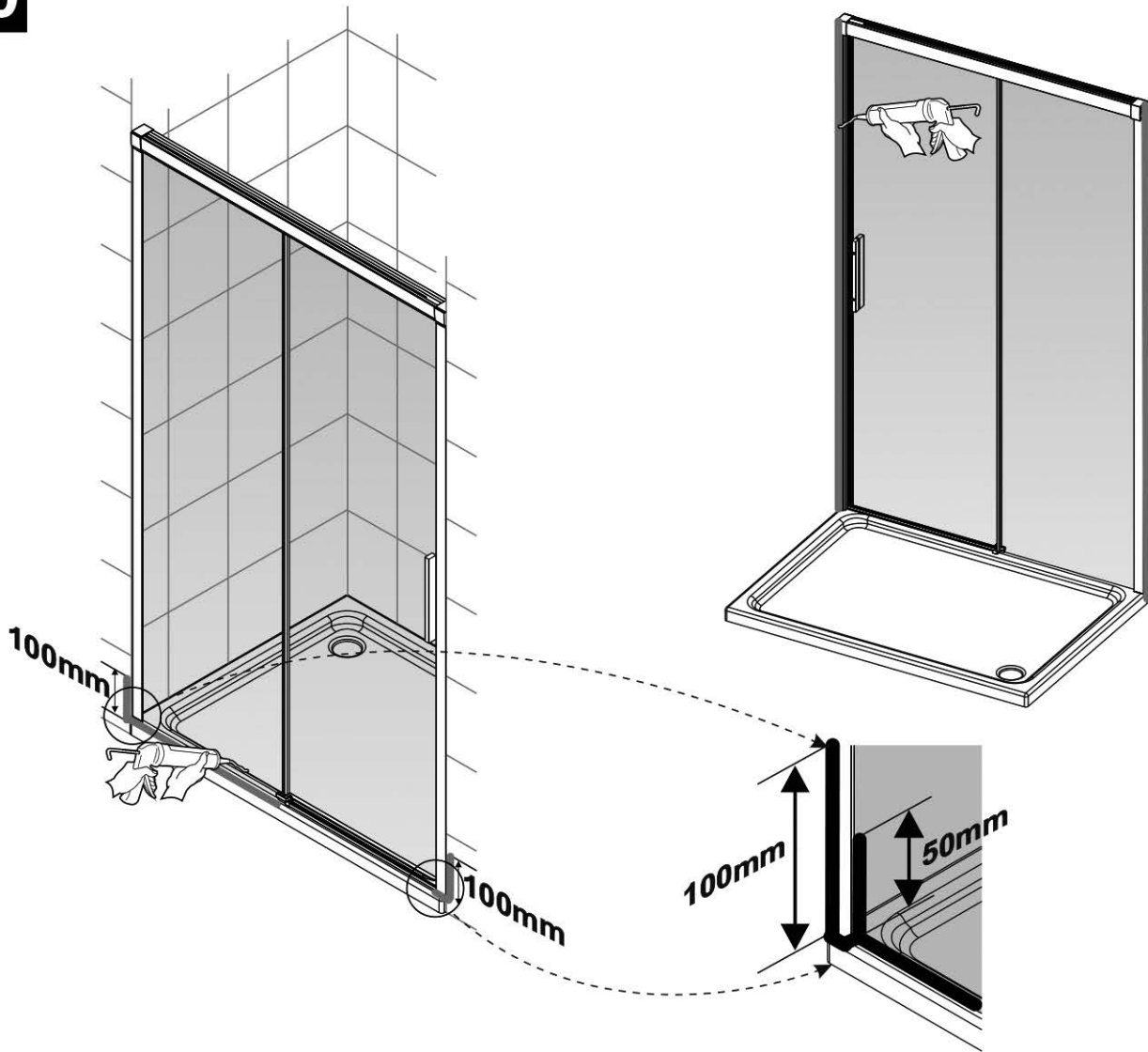
T73038



T3R0533

T2 00175





V5



Roca Sanitario, S.A.
 Avda. Diagonal, 513
 08029 Barcelona - SPAIN
 Teléfono 93 366 1200
 Fax 93 419 4501
 www.roca.es



902
 304
 848

LÍNEA DE ATENCIÓN AL CONSUMIDOR ESPAÑA

