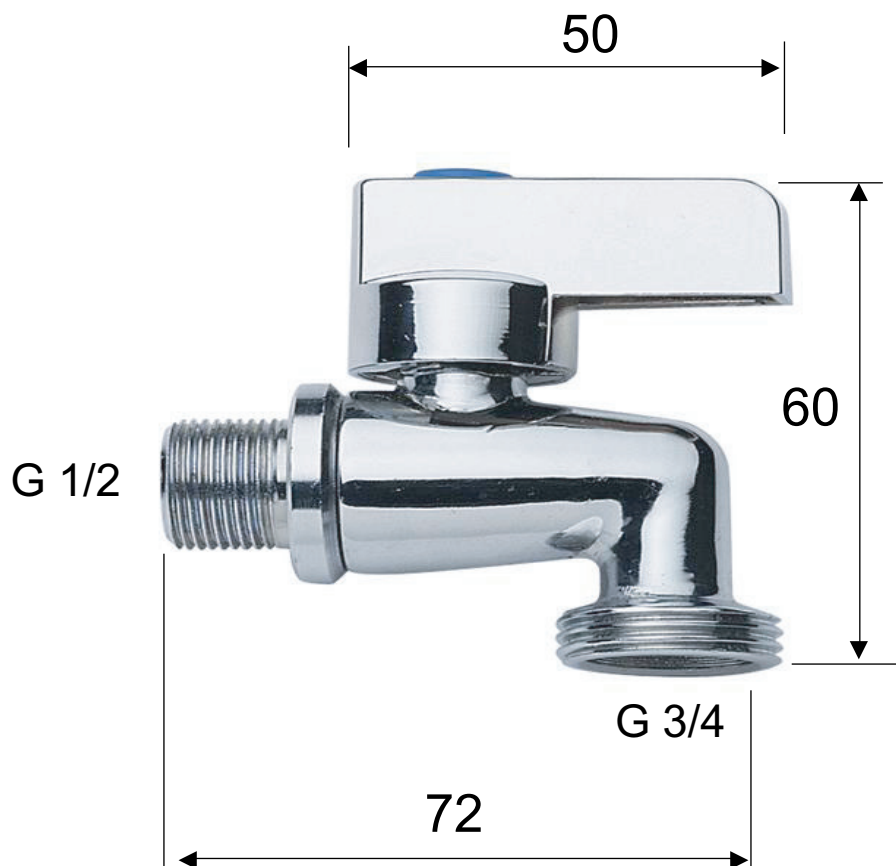


ART. COD. **A690**



<i>PRESSIONE / PRESSURE</i>	1	2	3	4	5	bar
<i>PORTATA / FLOW RATE</i>	24	30	35	41	46	l/min

MATERIALI / MATERIALS

OTTONE CROMATO / CHROME PLATED BRASS

CROMATURA / CHROME PLATING

UNI EN 248