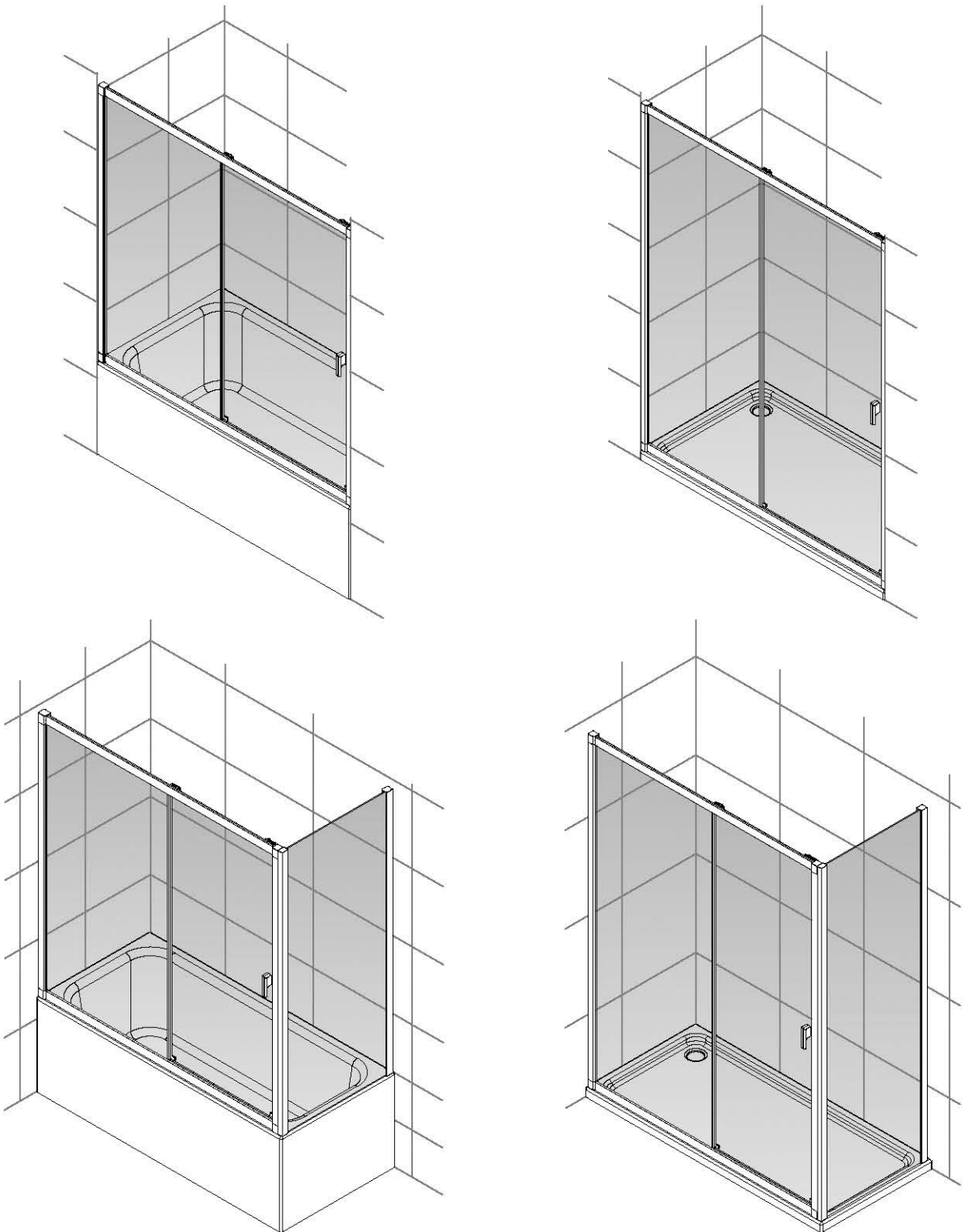
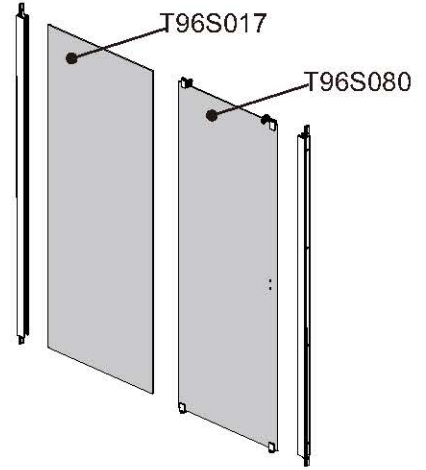
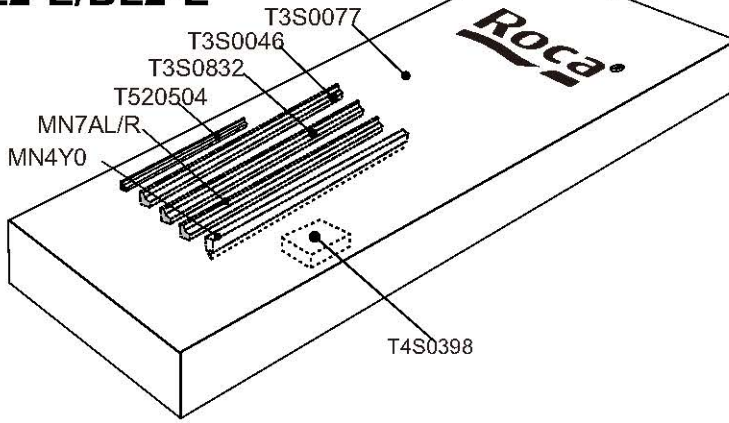


Roca

EASY L2-E/BL2-E



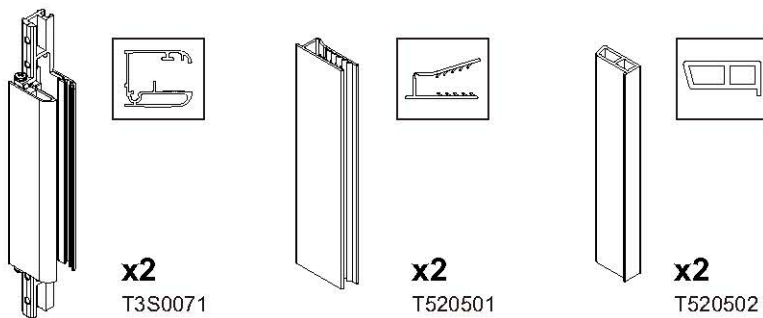
L2-E/BL2-E



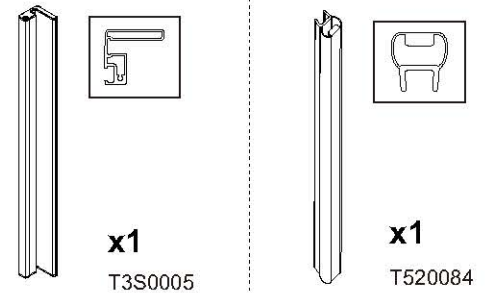
T4S0398

T2 00002	x8	Ø6 x8	Ø9 x8		
T2 00043	x1	x1	x1	x1	
T2 00081	x1 GD6071	x1 GD6074	x1 GD6119	x1 GD6163	
T2 00092	x2	x1	x1	x1	x1
T2 00098	x1	x1			
T2 00099	x4				
T2 00188	x4	x6	x6	Ø3 x1	

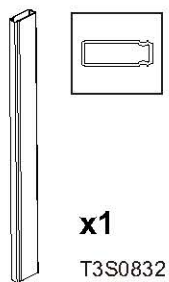
T3S0077



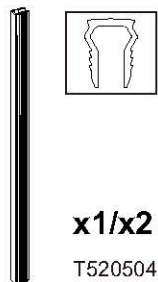
T3S0046



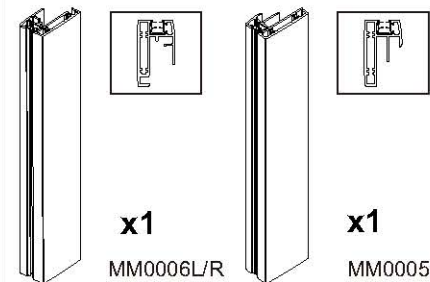
T3S0832



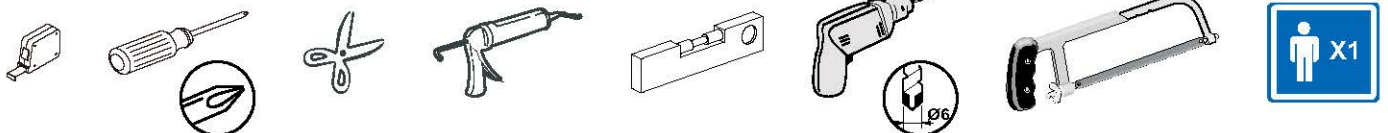
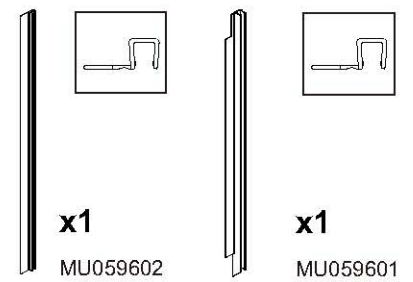
T520504



MN7AL/R

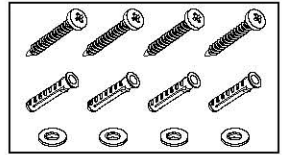


MN4Y0

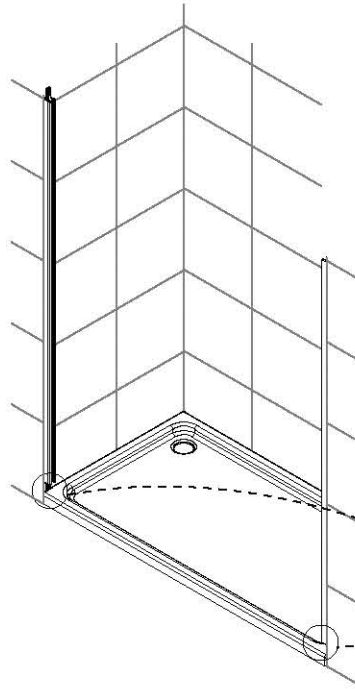
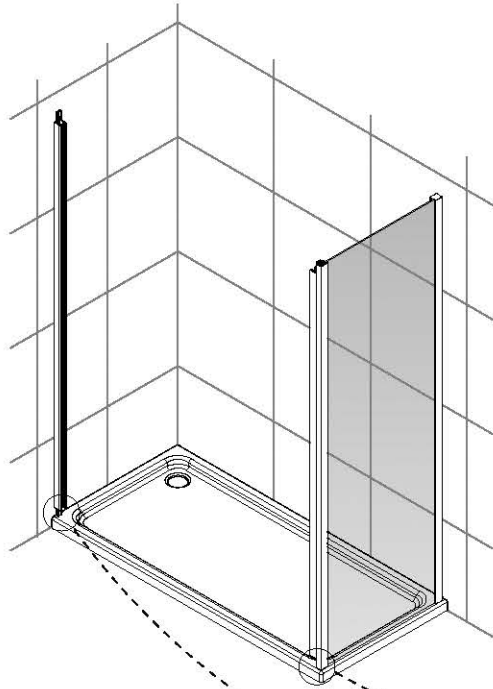
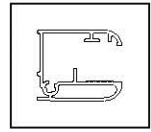


1

T2 00002

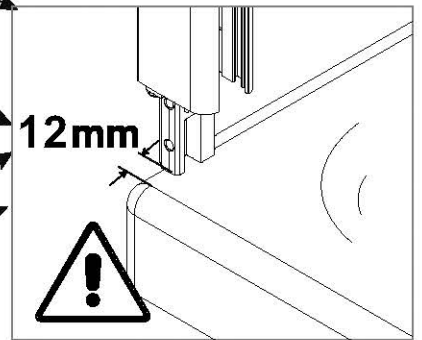


T3S0077

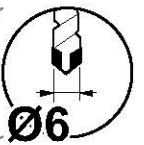
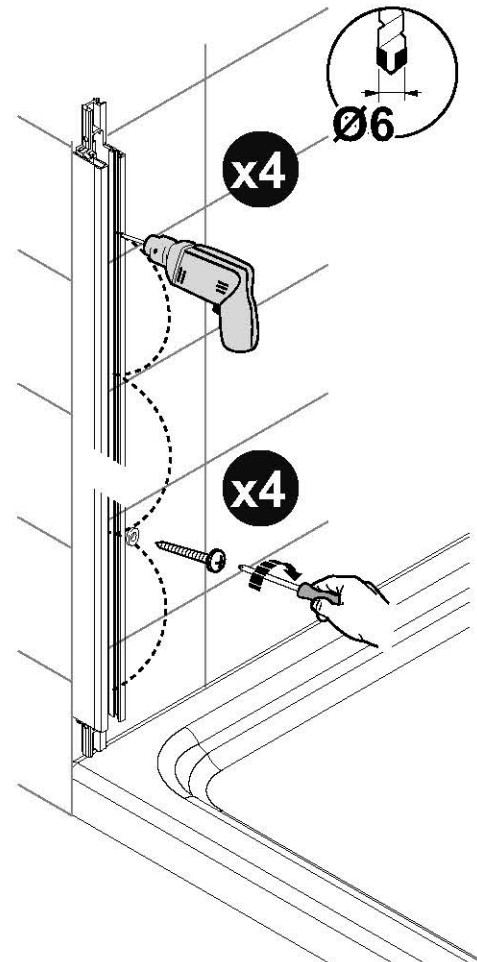
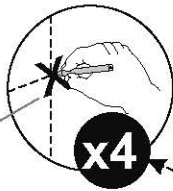
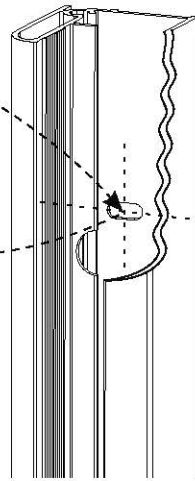
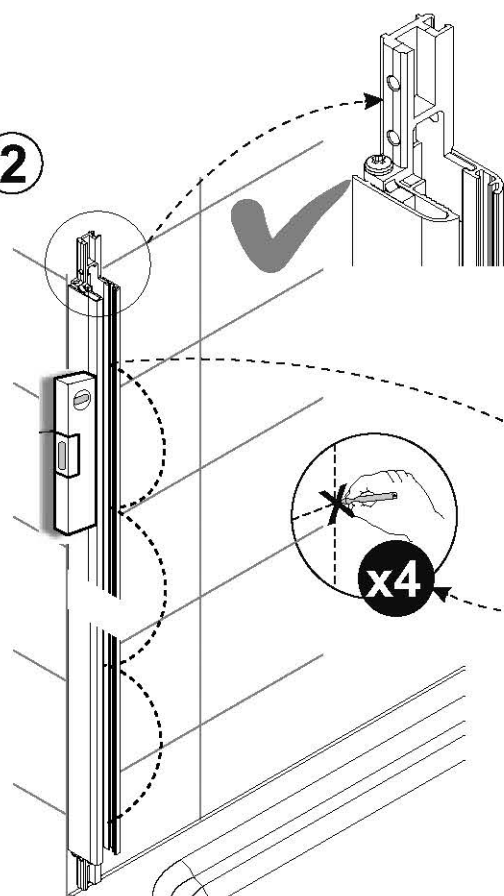


1

12mm



2



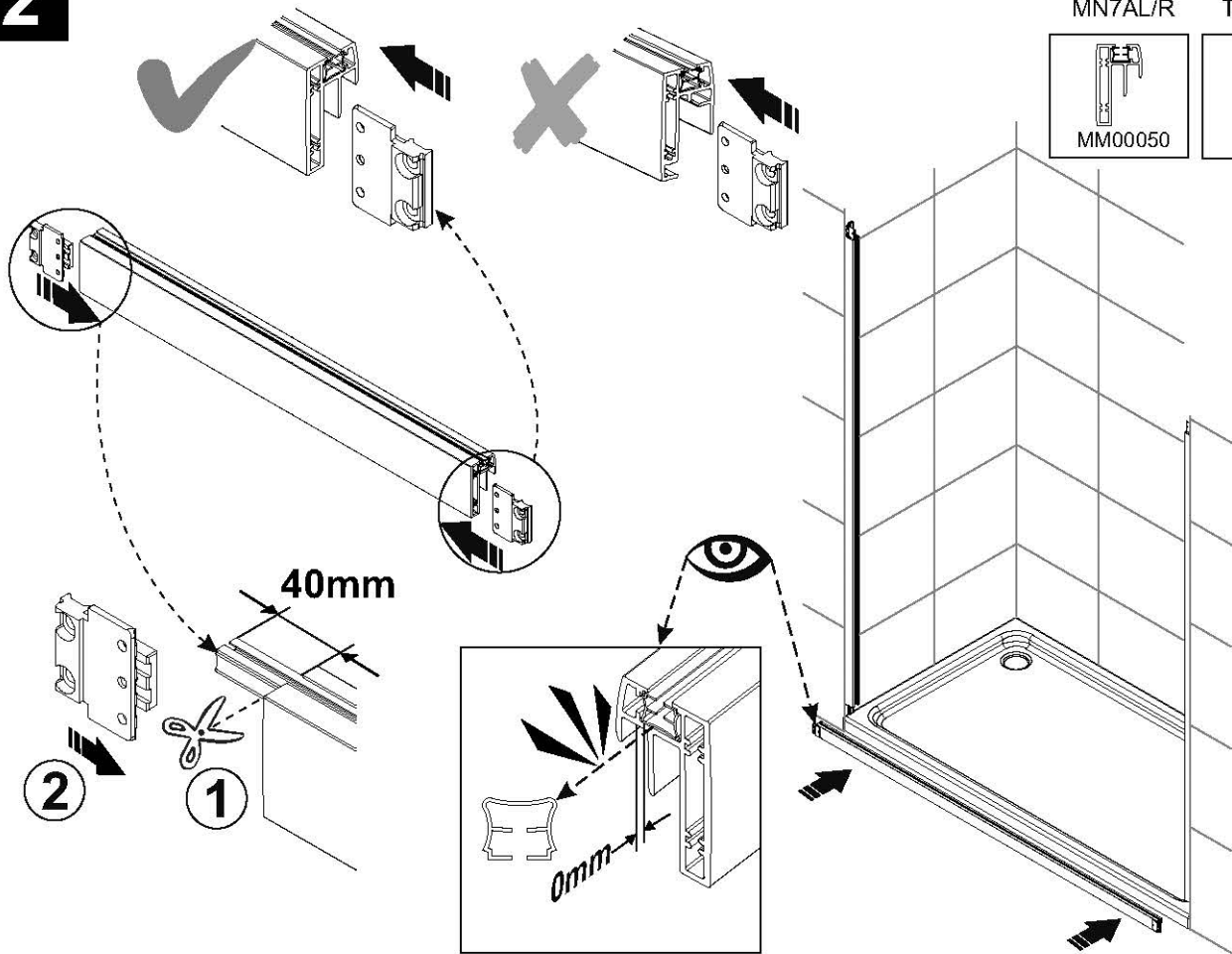
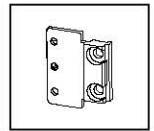
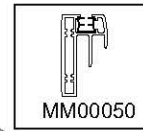
x4

x4

2

MN7AL/R

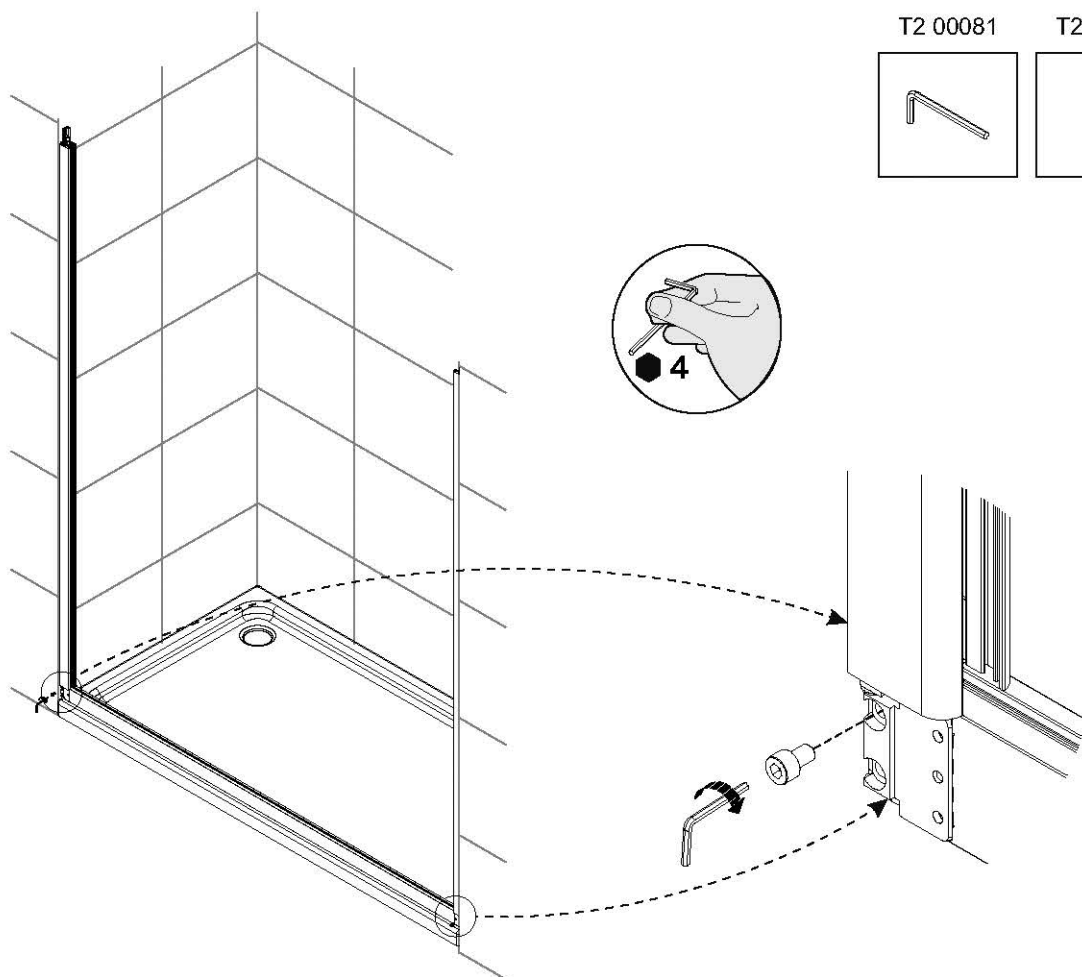
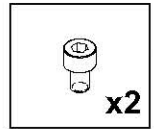
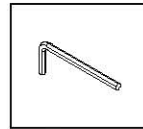
T2 00188



3

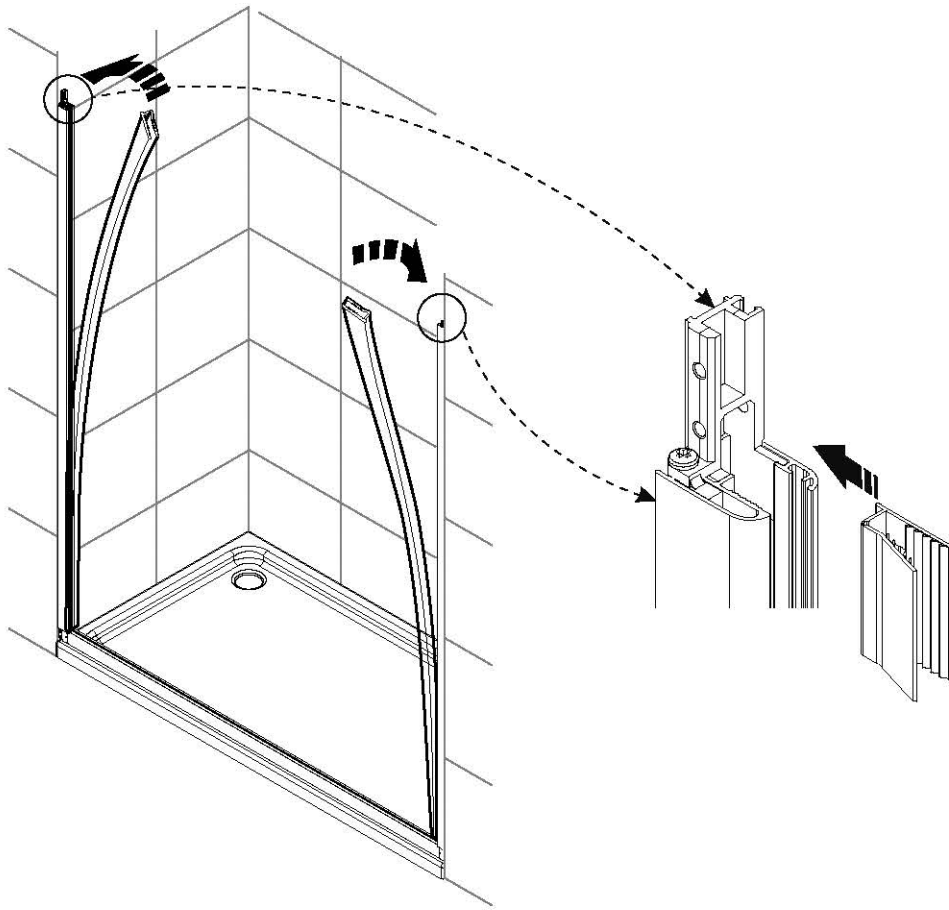
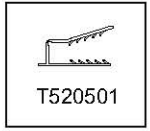
T2 00081

T2 00188



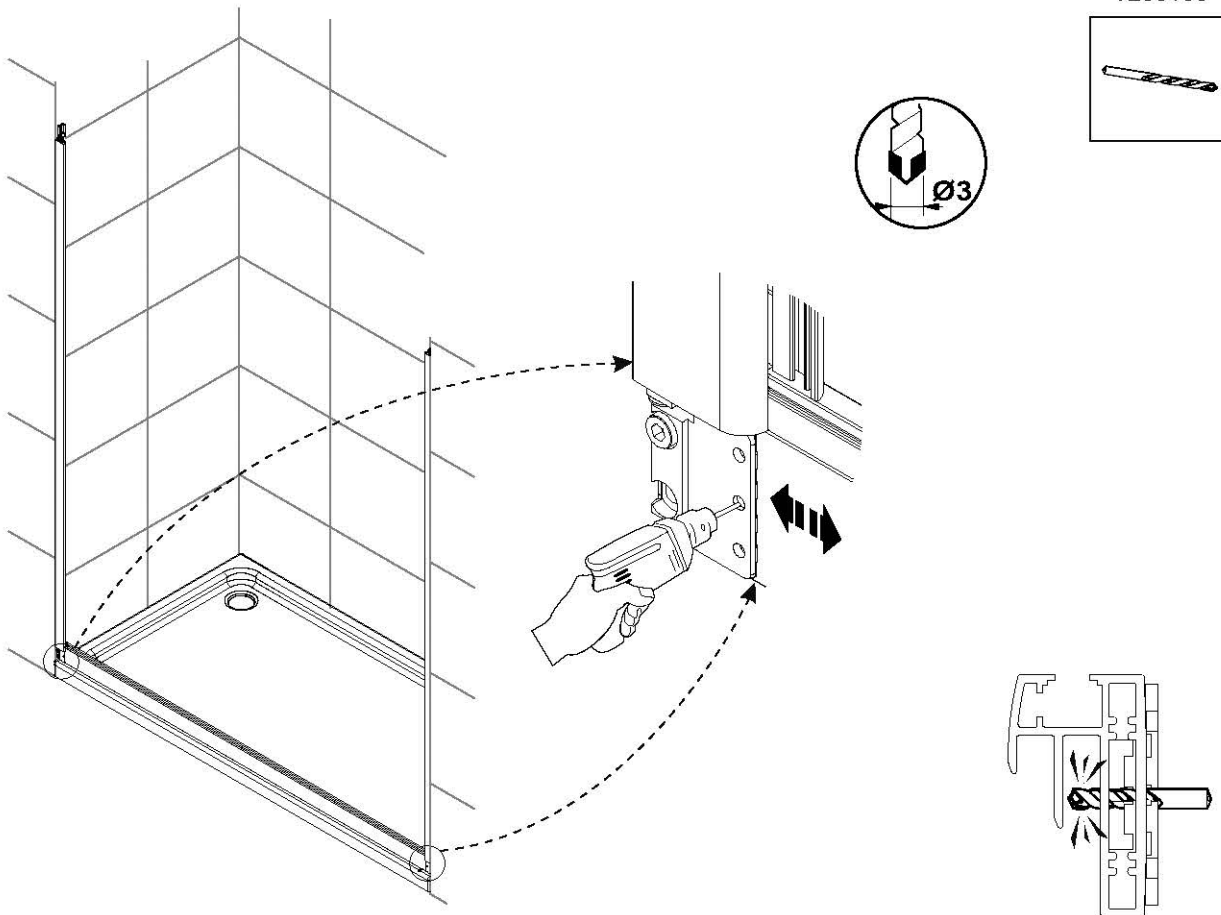
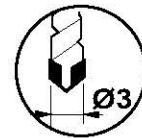
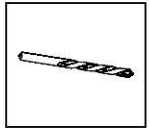
4

T3S0077



5

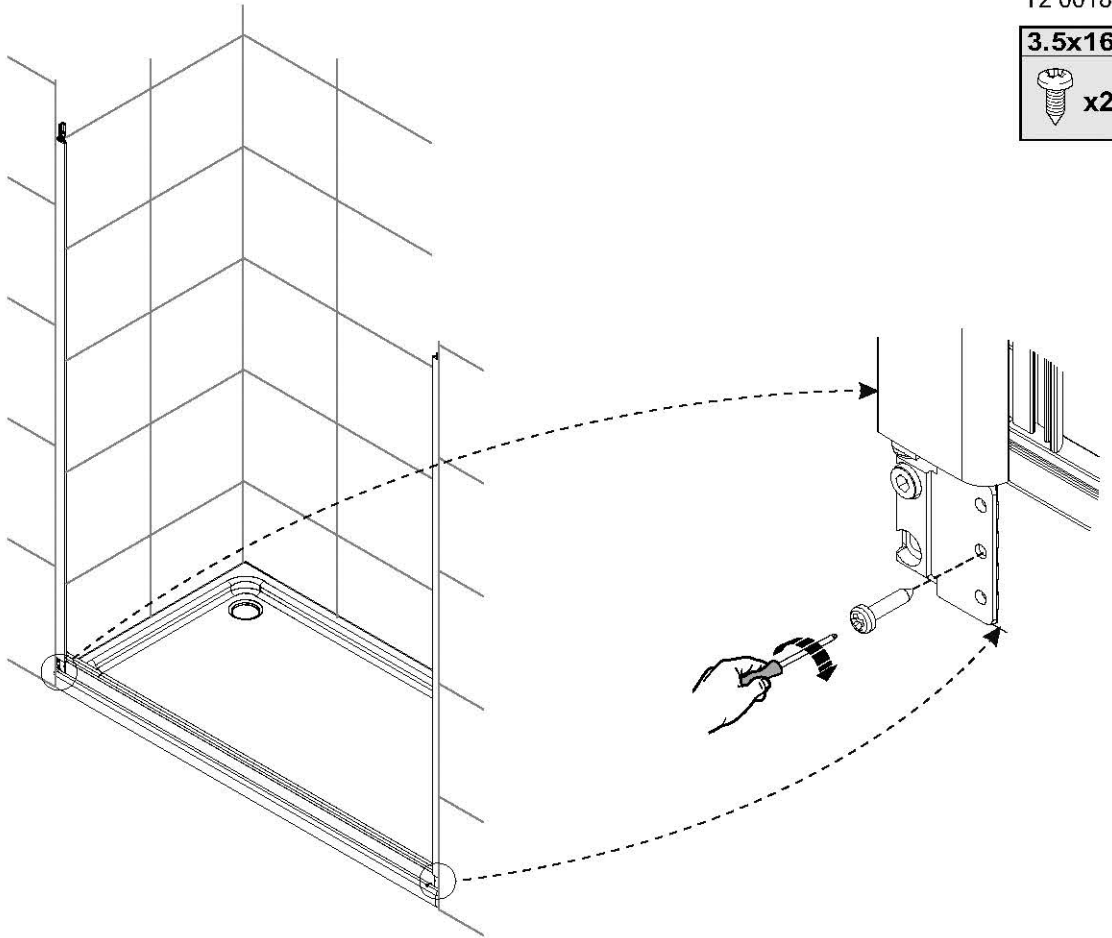
T200188



6

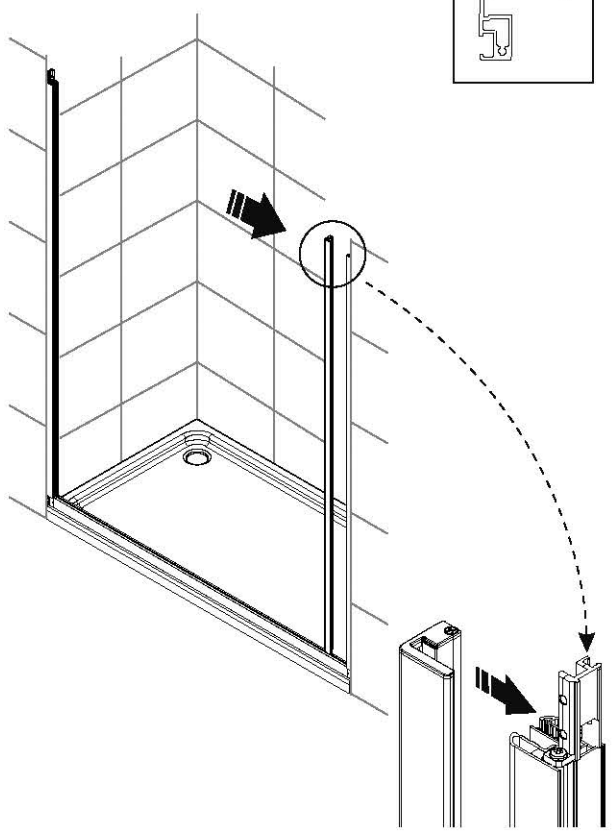
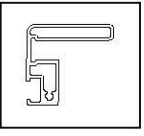
T2 00188

3.5x16



7

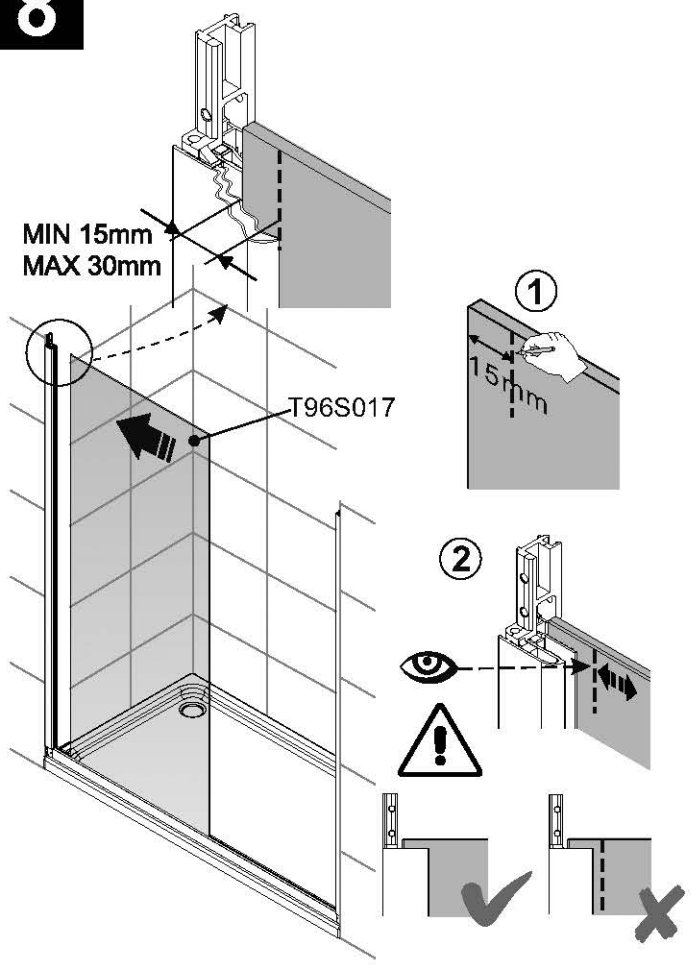
T3S0046



8

MIN 15mm
MAX 30mm

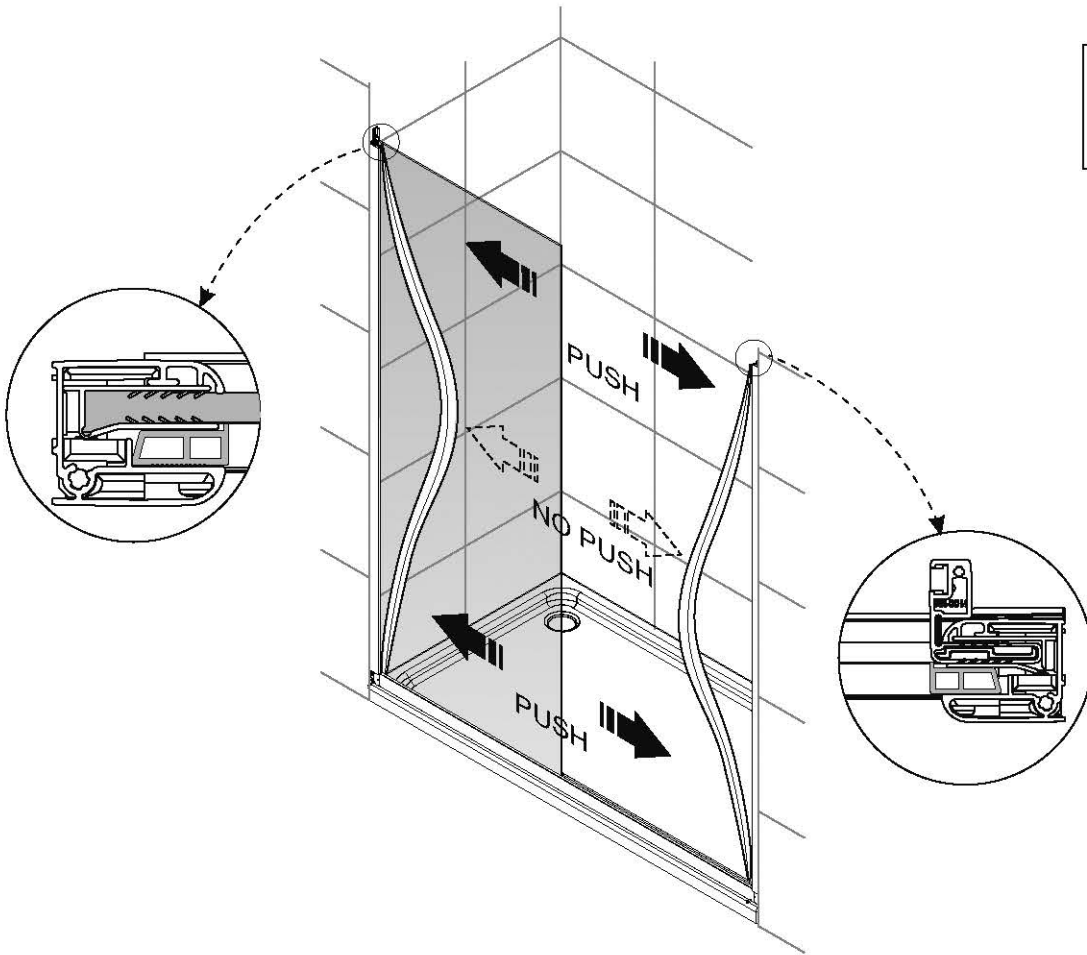
T96S017



9

T3S0077

T520502

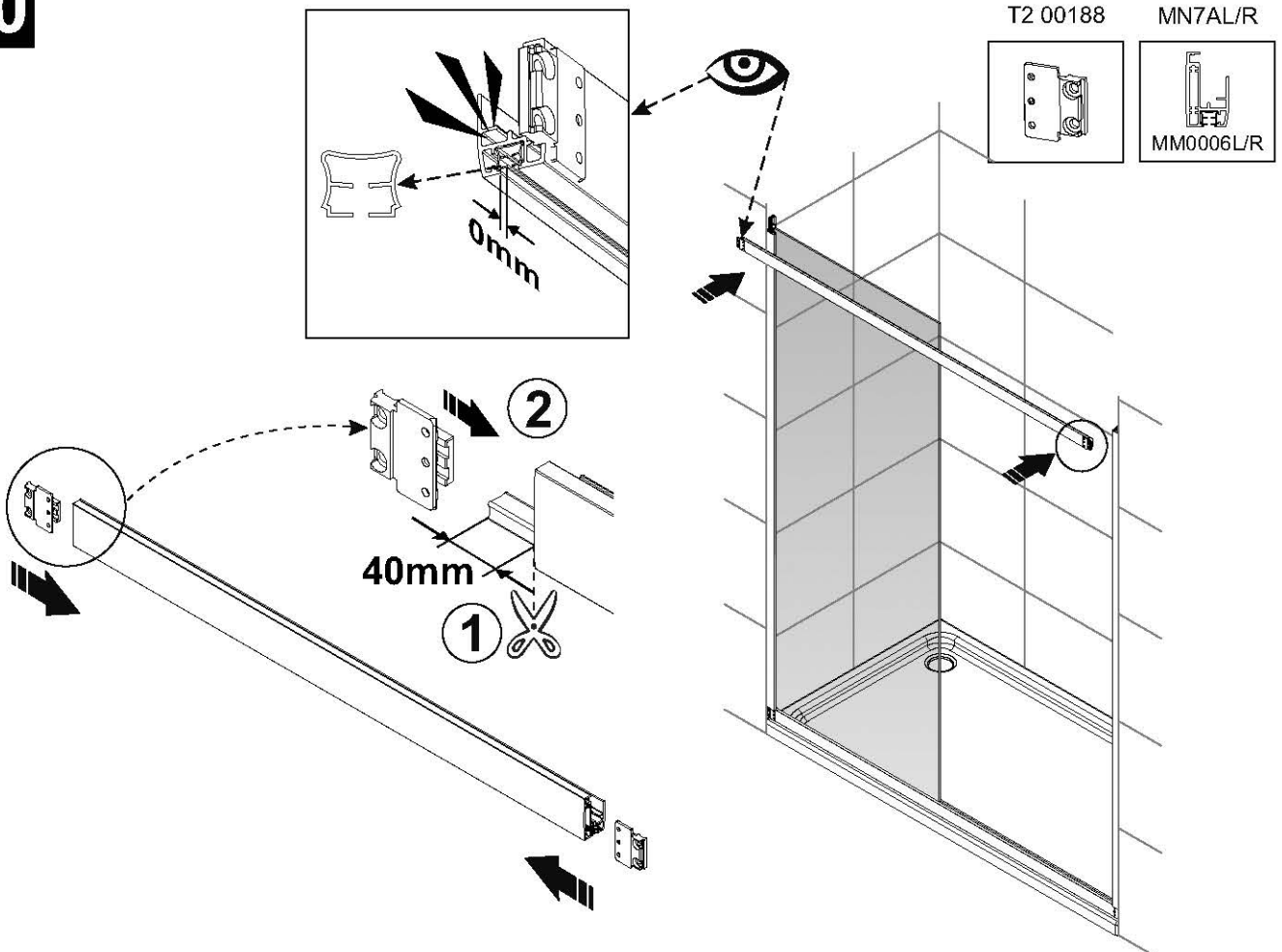


10

T2 00188

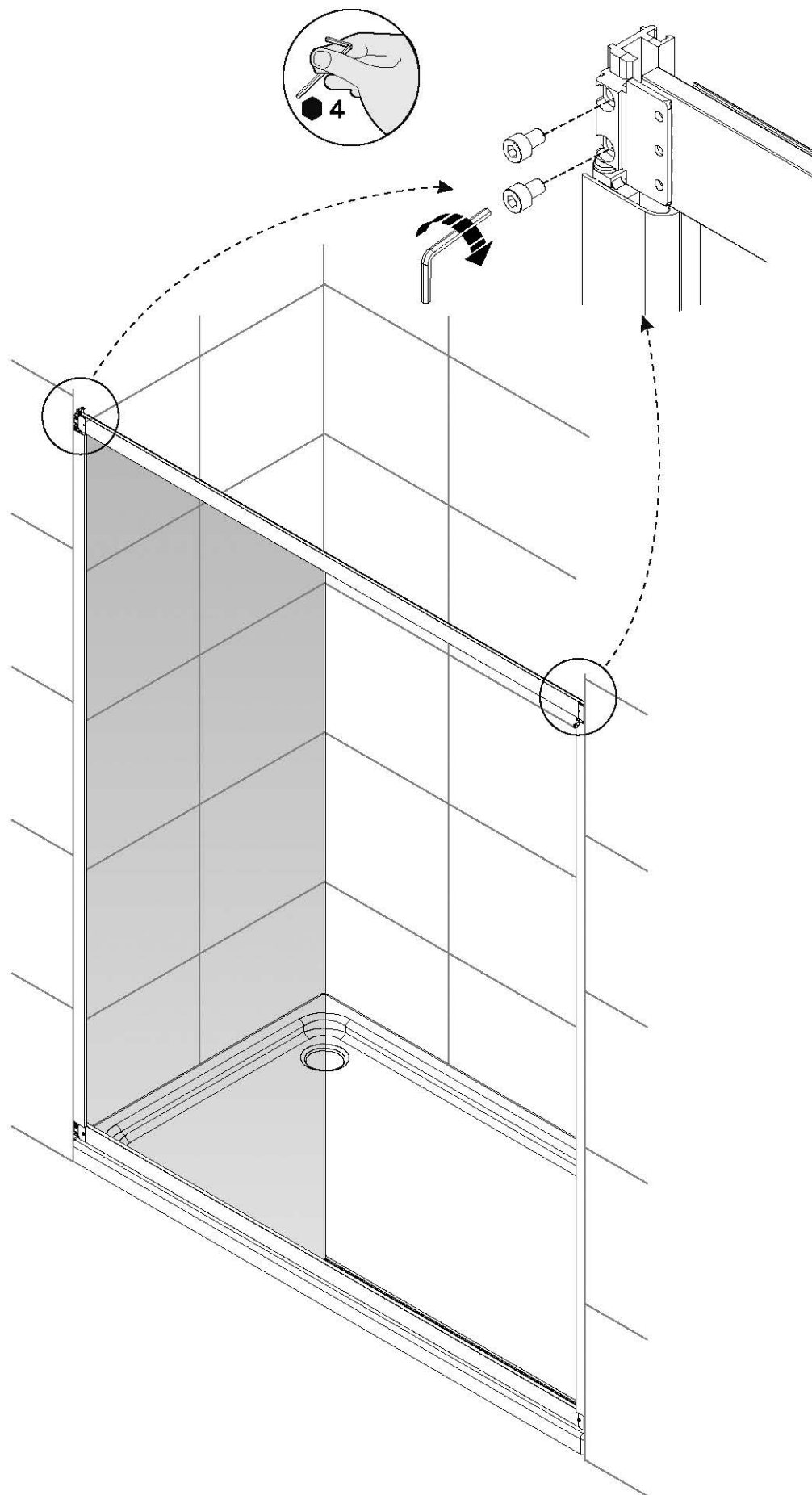
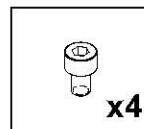
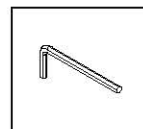
MN7AL/R

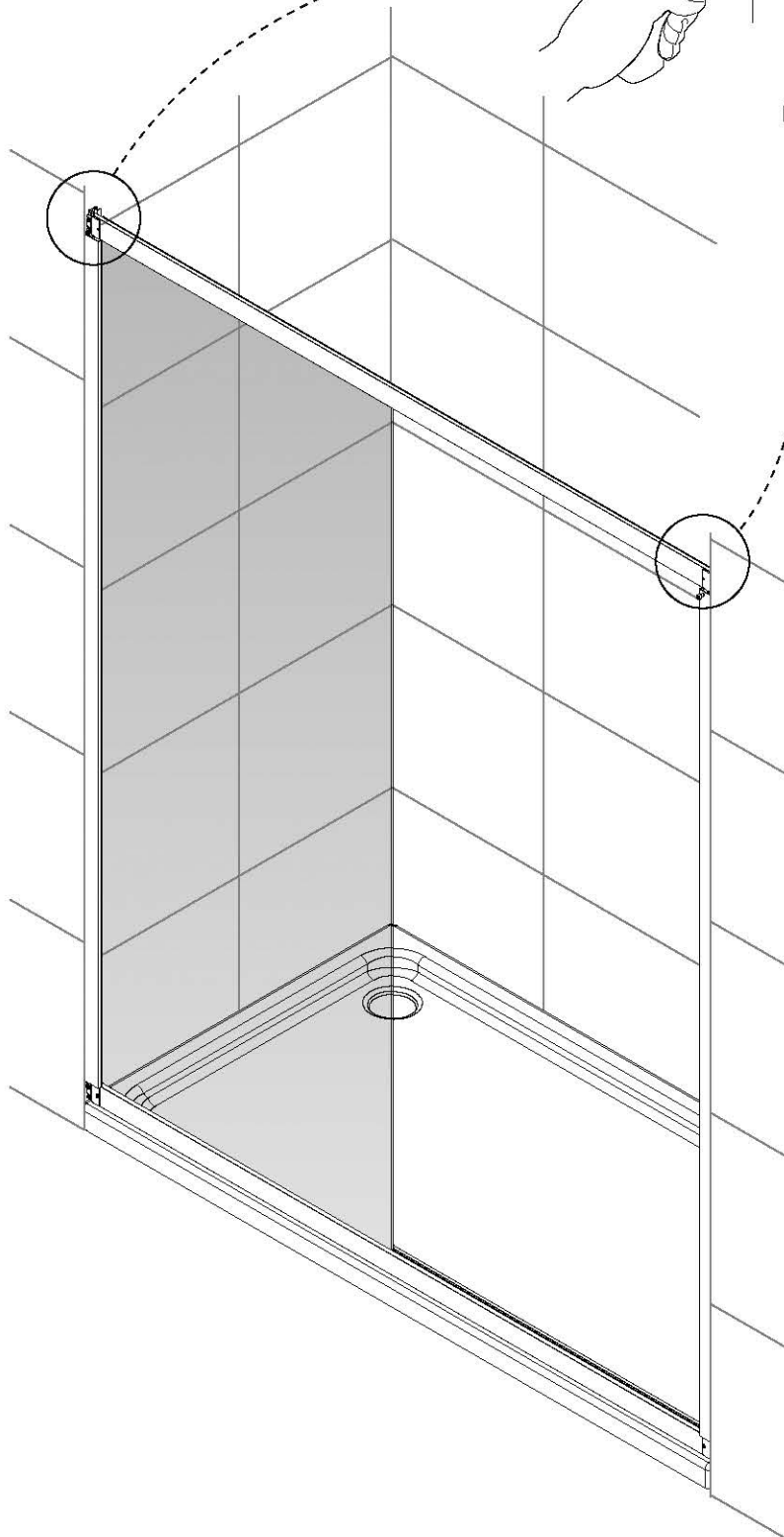
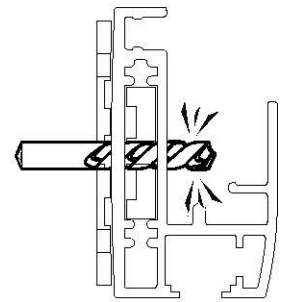
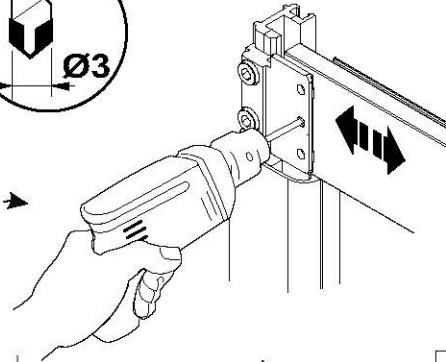
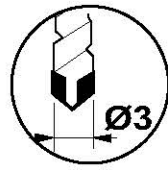
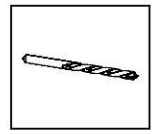
MM0006L/R



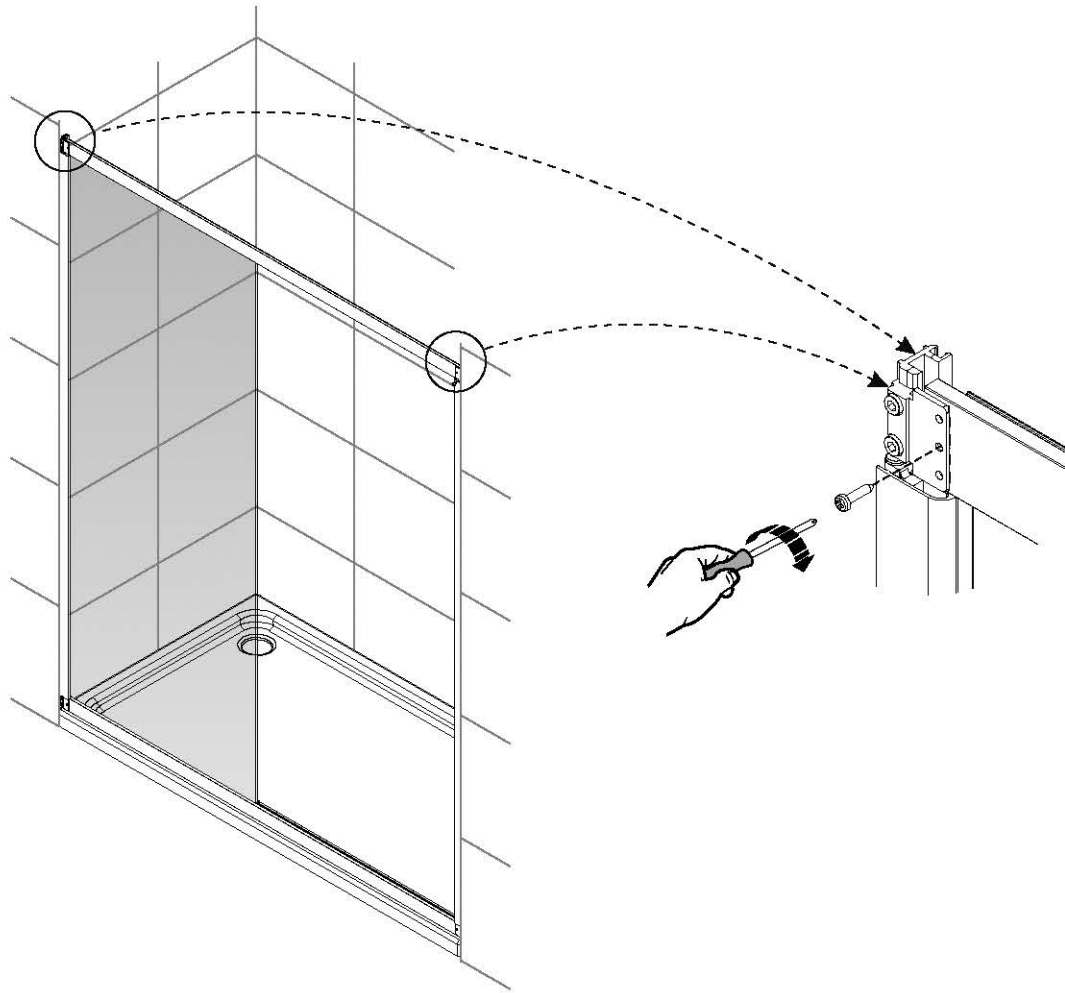
T2 00081

T2 00188





13



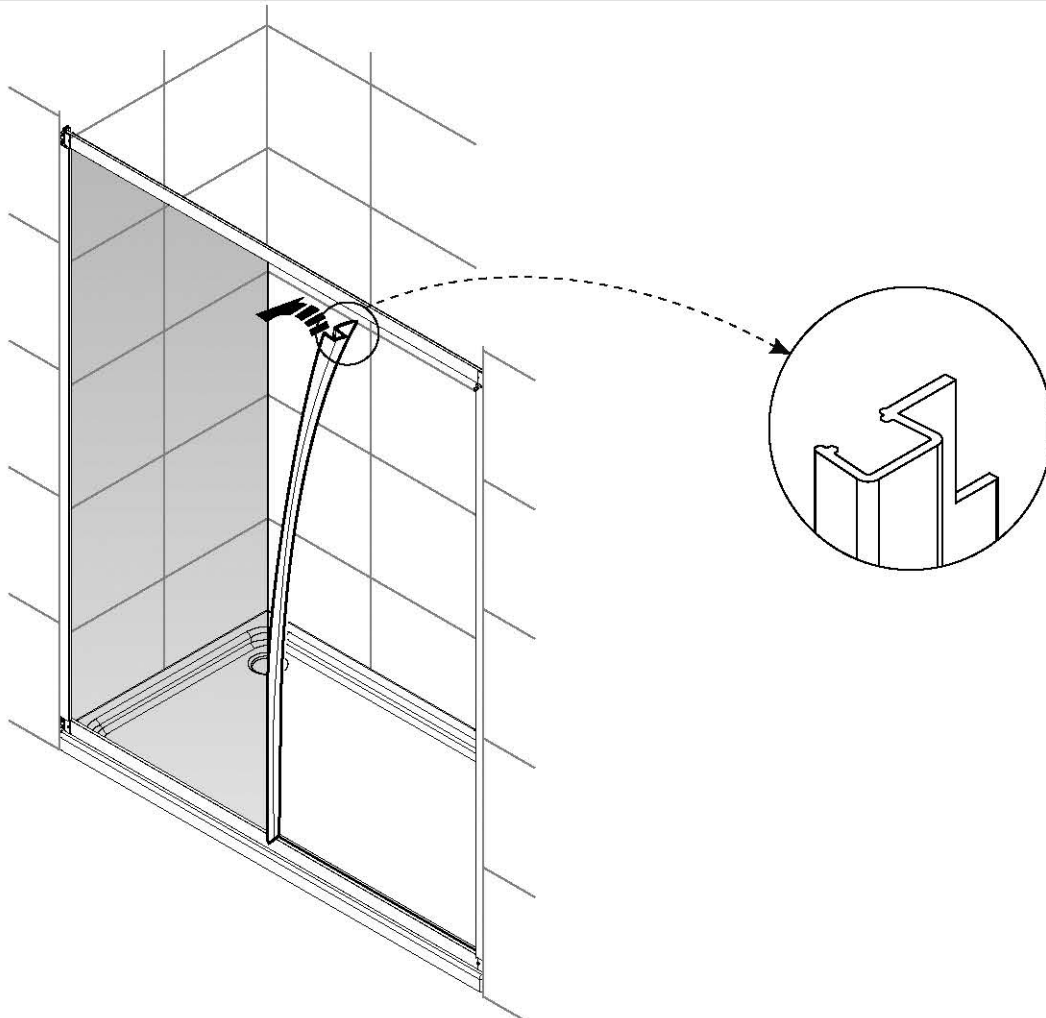
T2 00188

3.5x16



x2

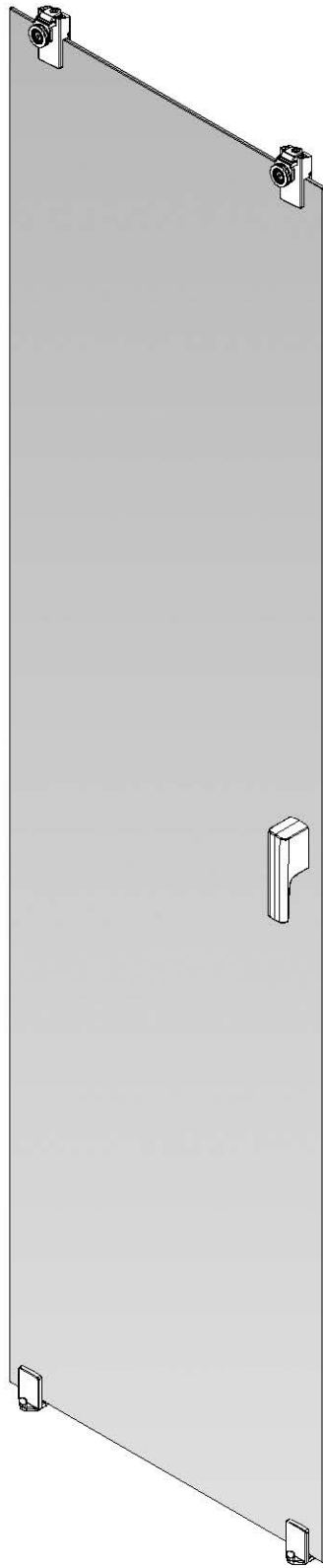
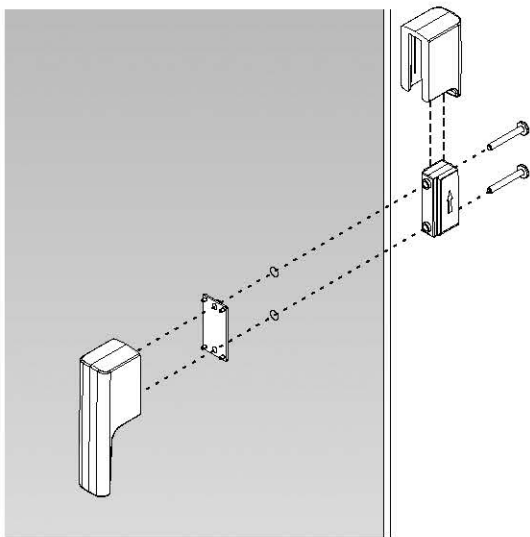
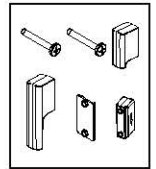
14



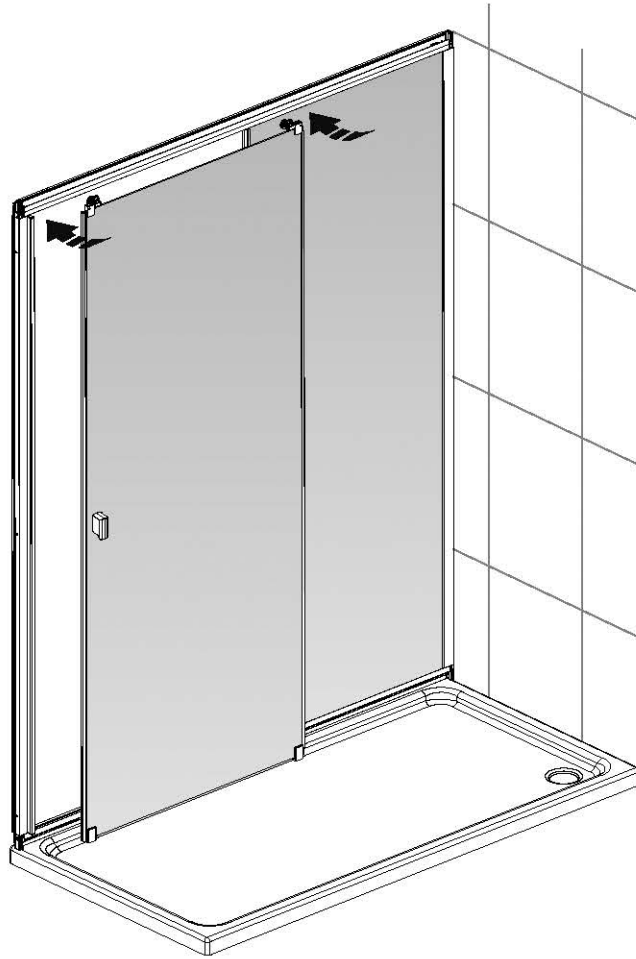
MN4Y0



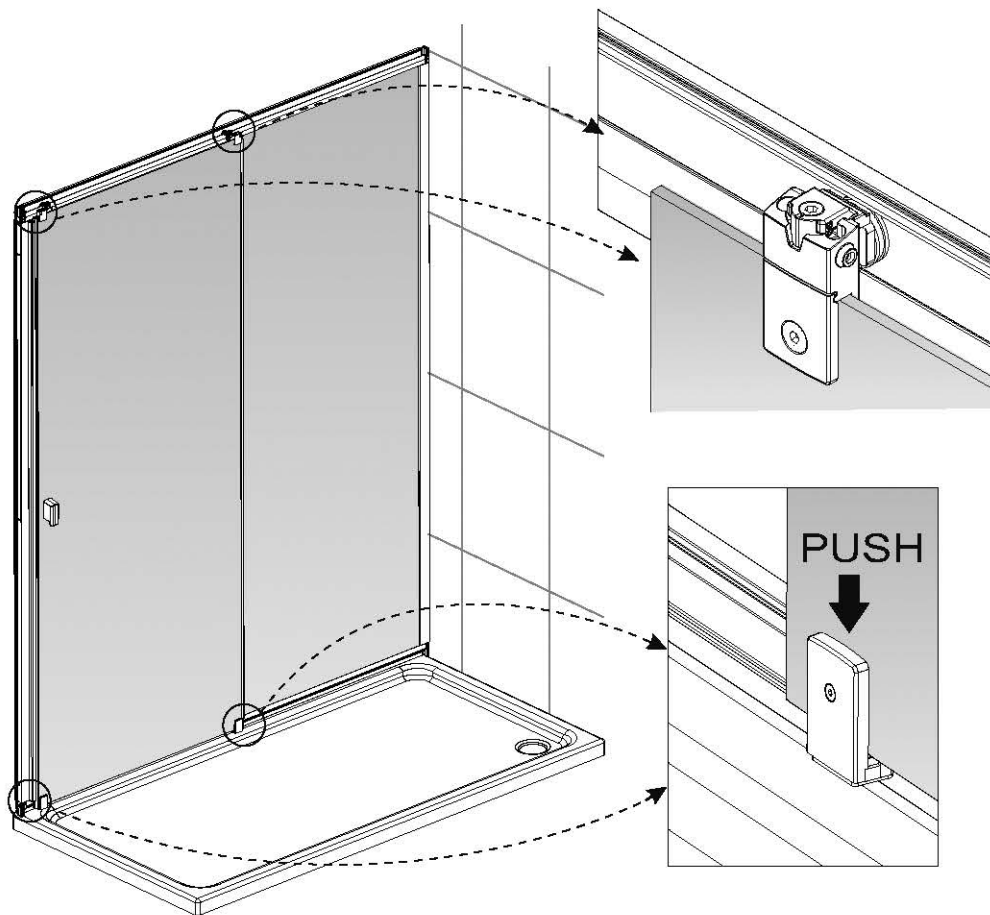
MU059602



16



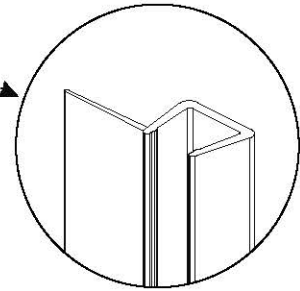
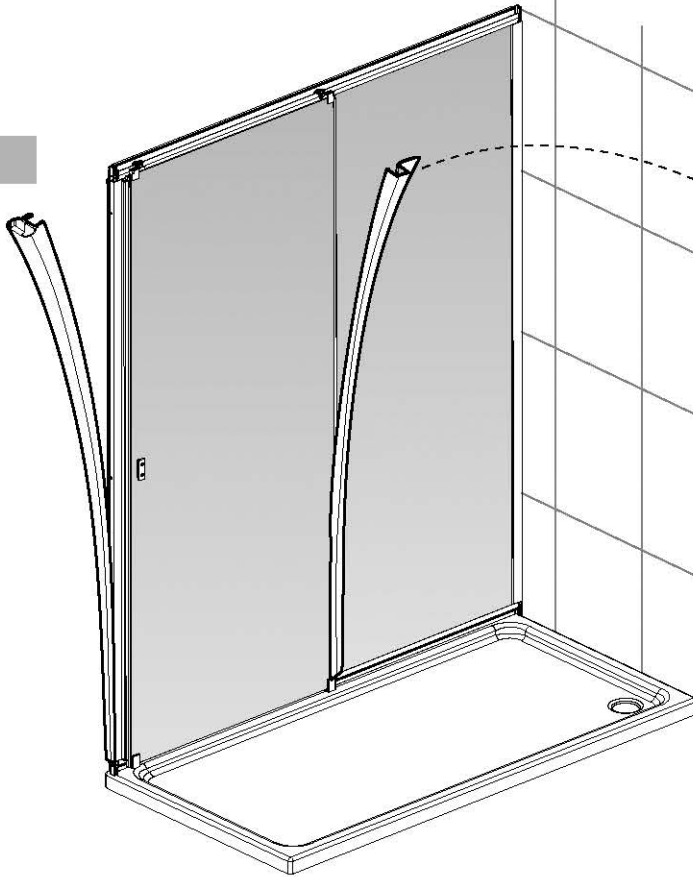
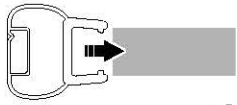
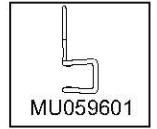
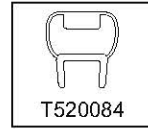
17



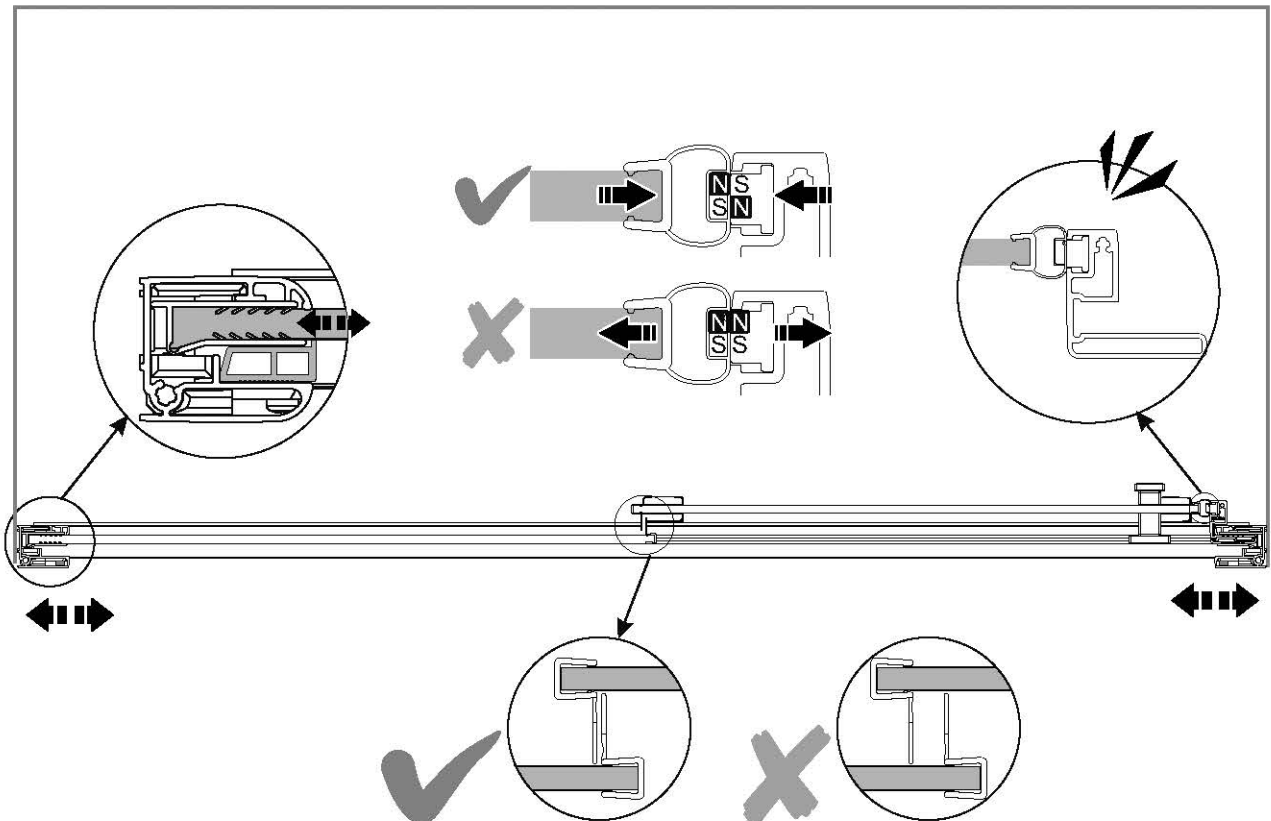
18

T3S0046

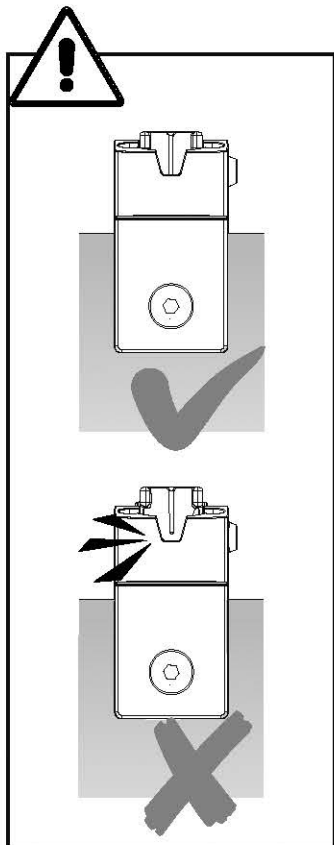
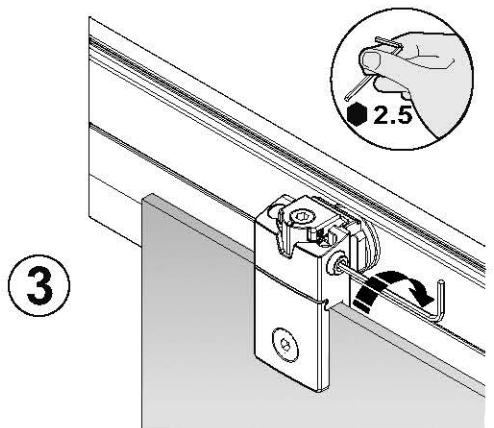
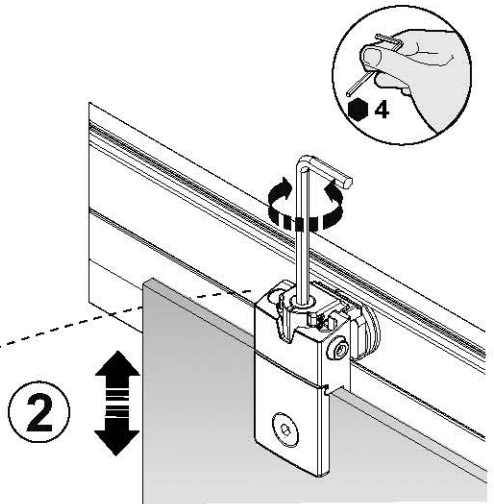
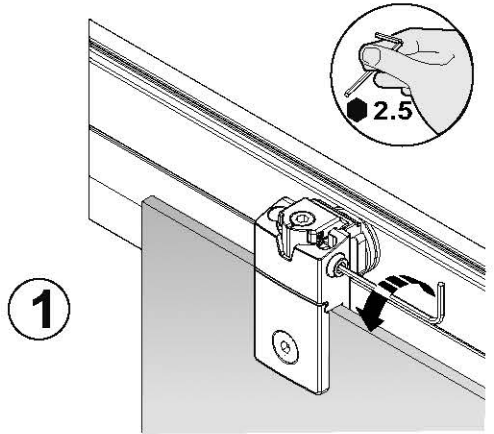
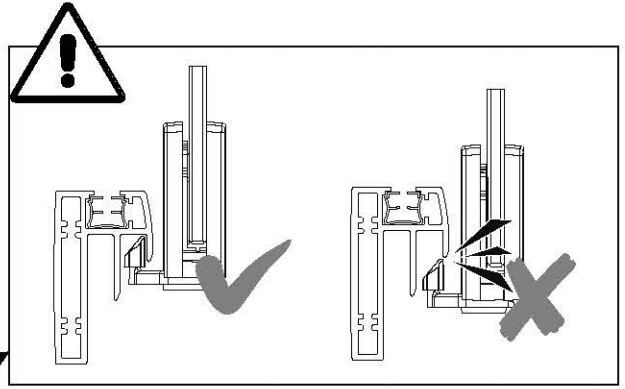
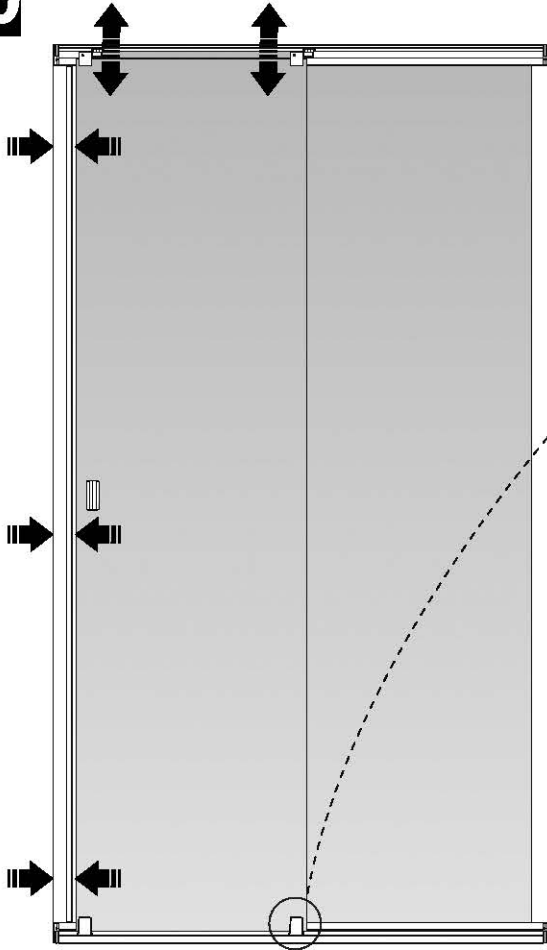
MN4Y0

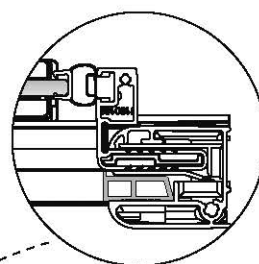
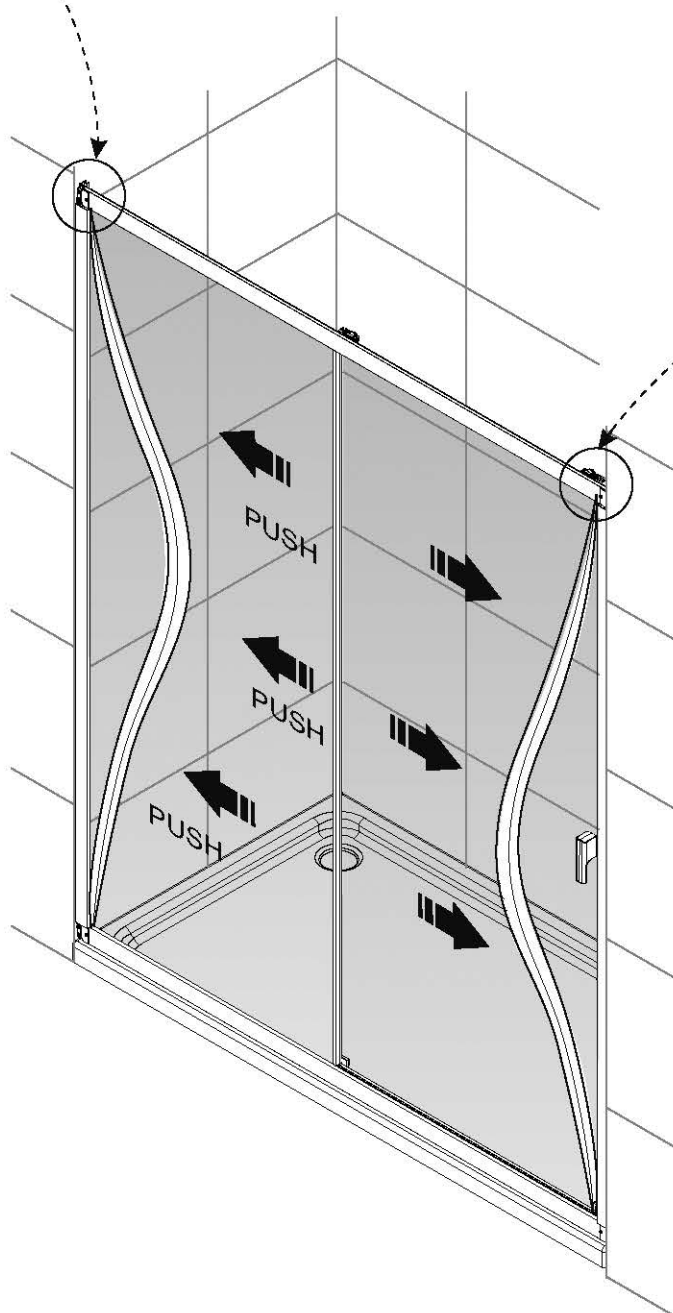
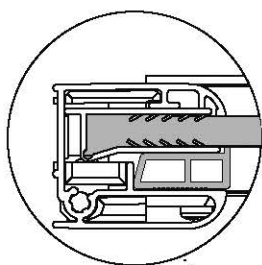
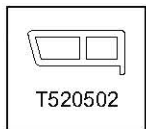


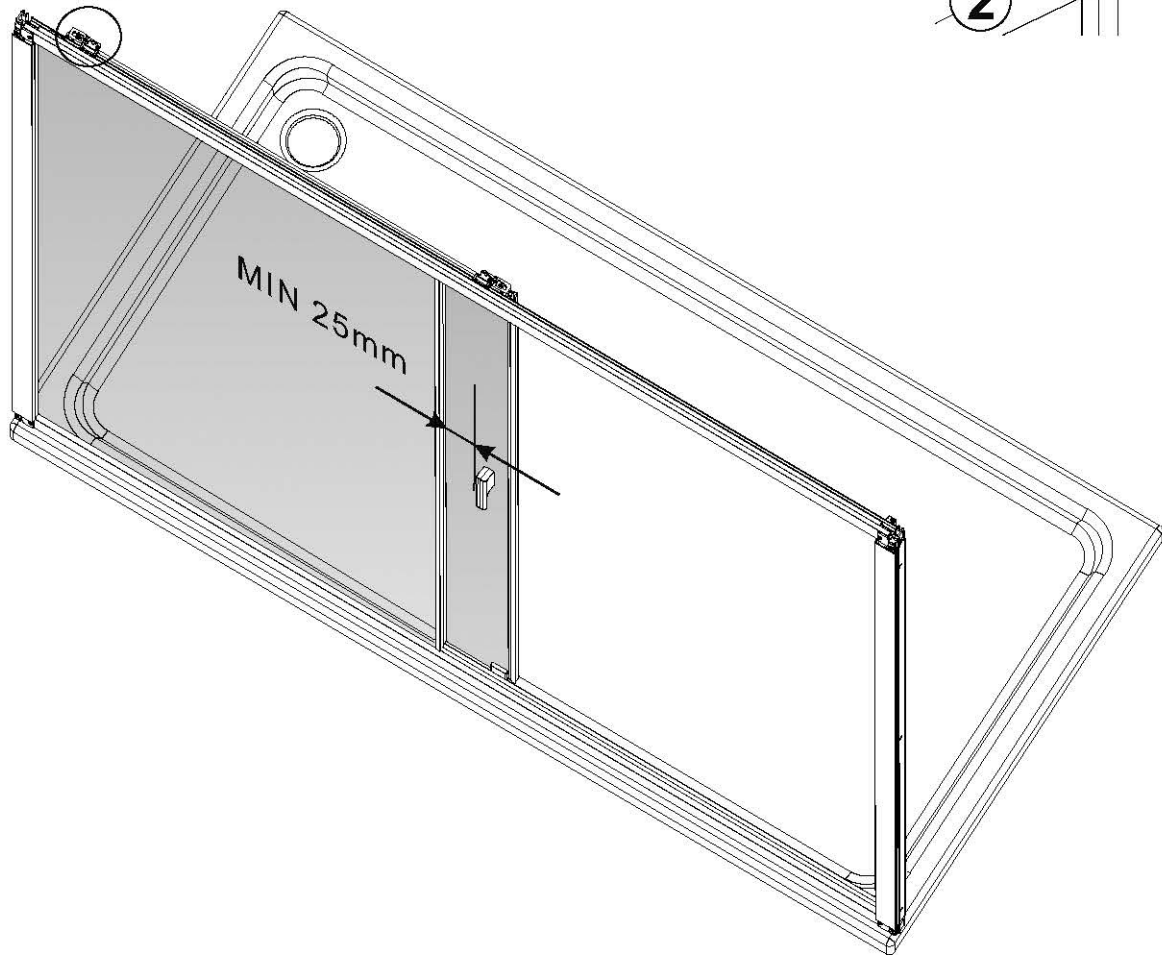
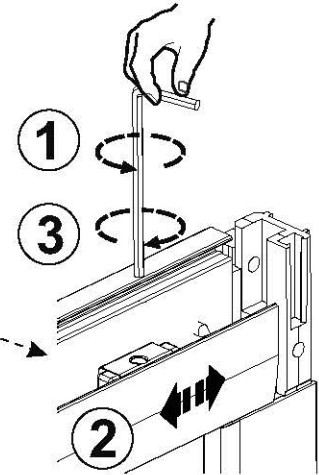
19

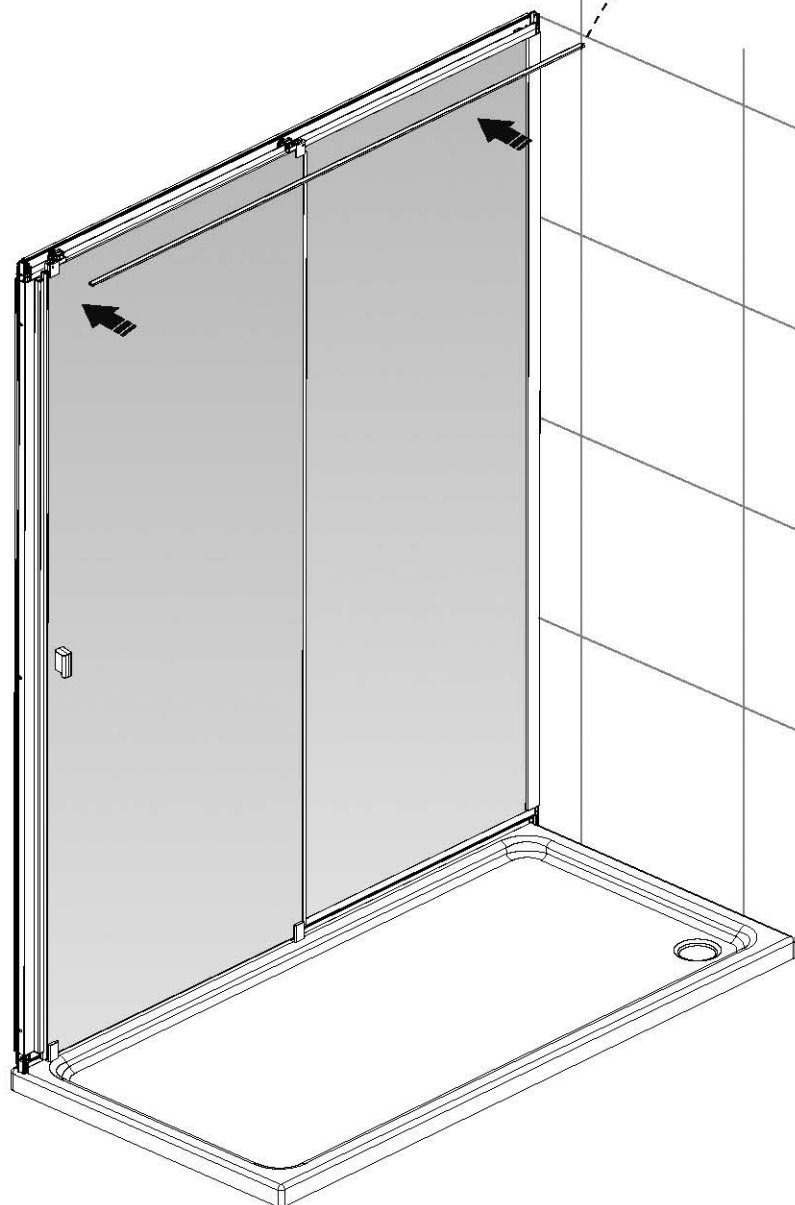
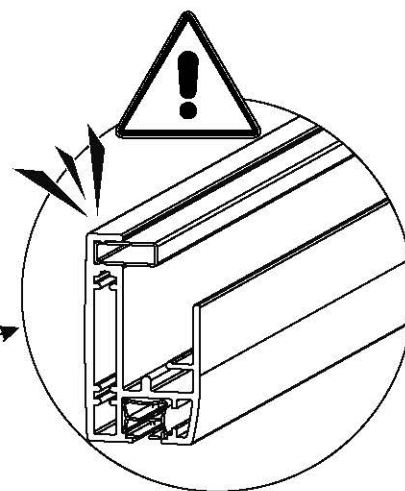
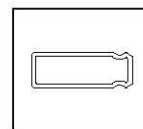


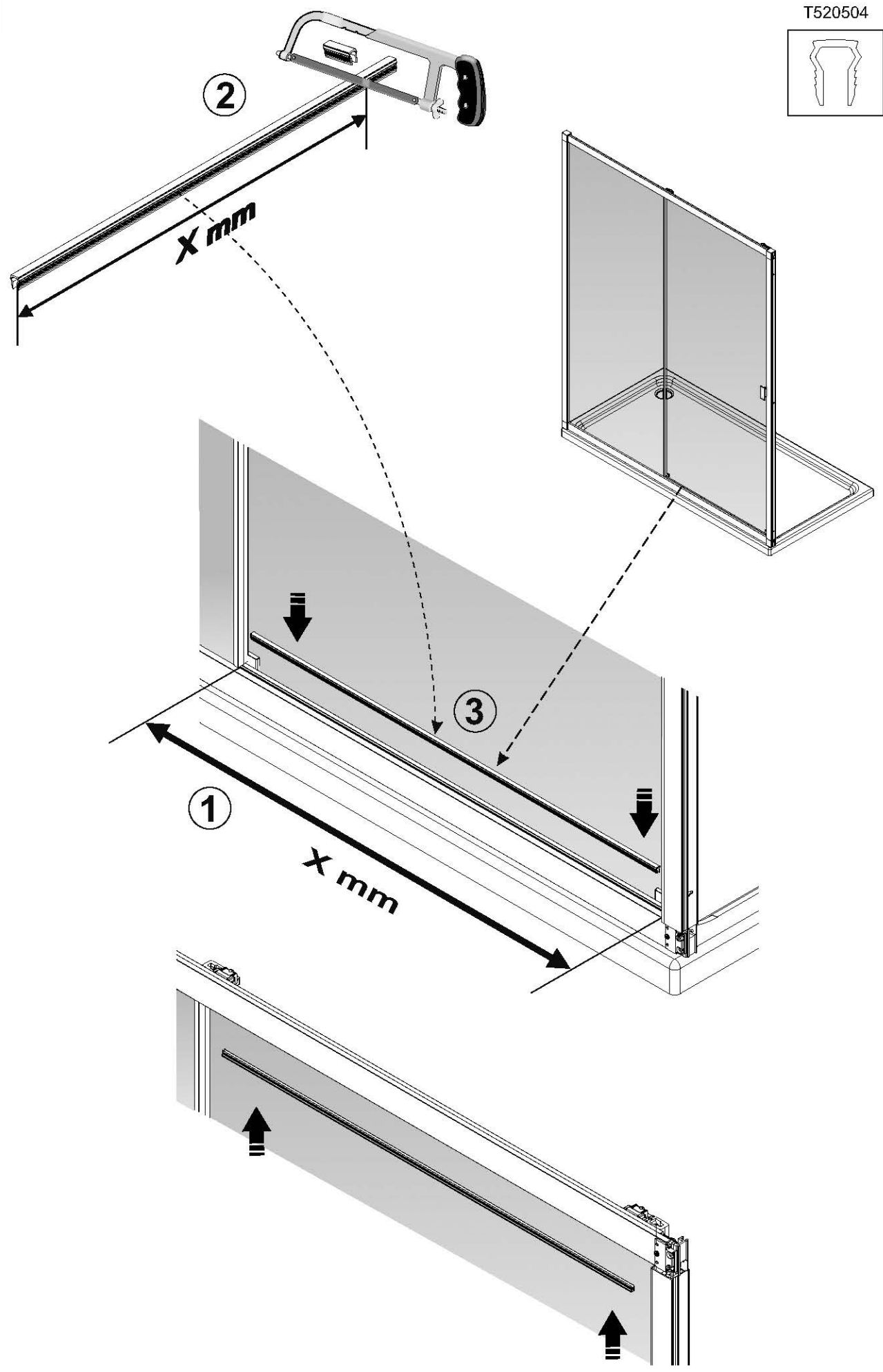
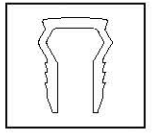
20










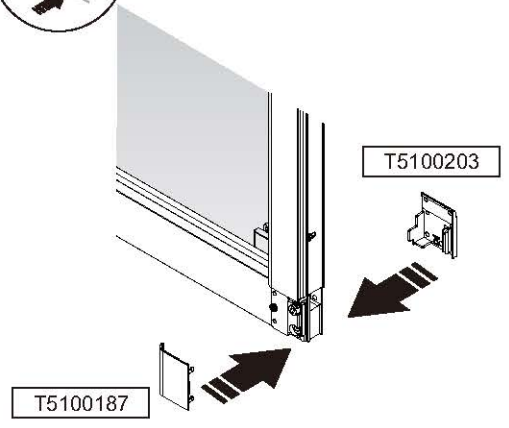
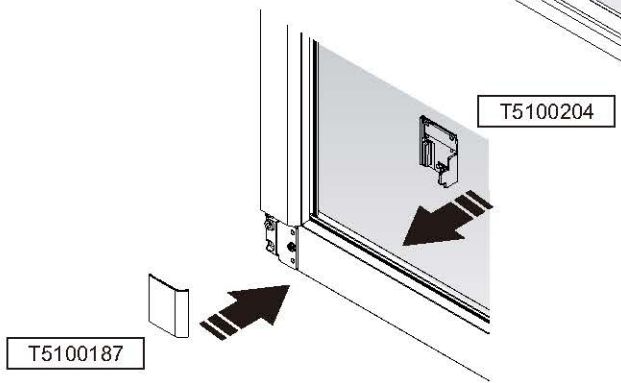
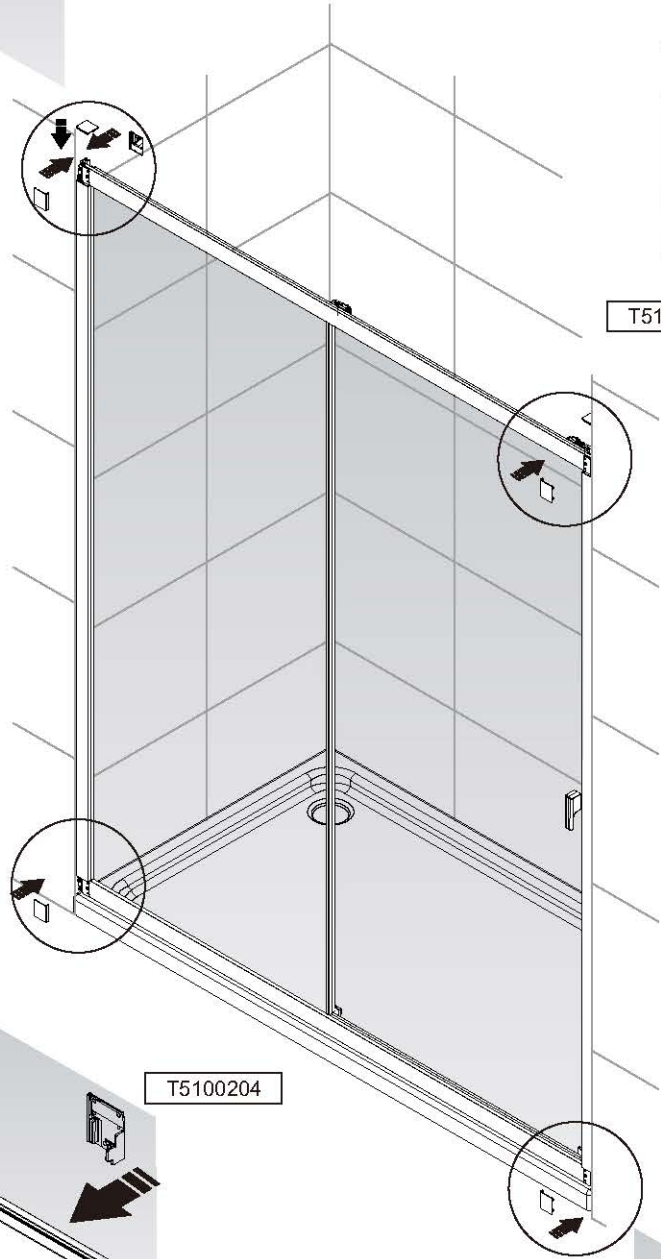
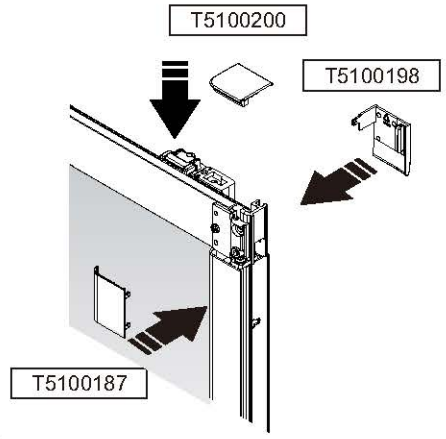
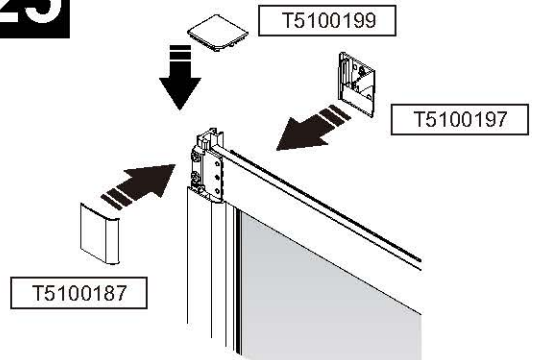


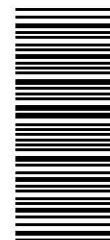
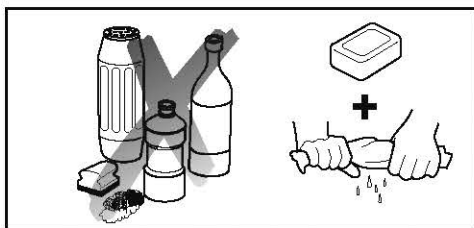
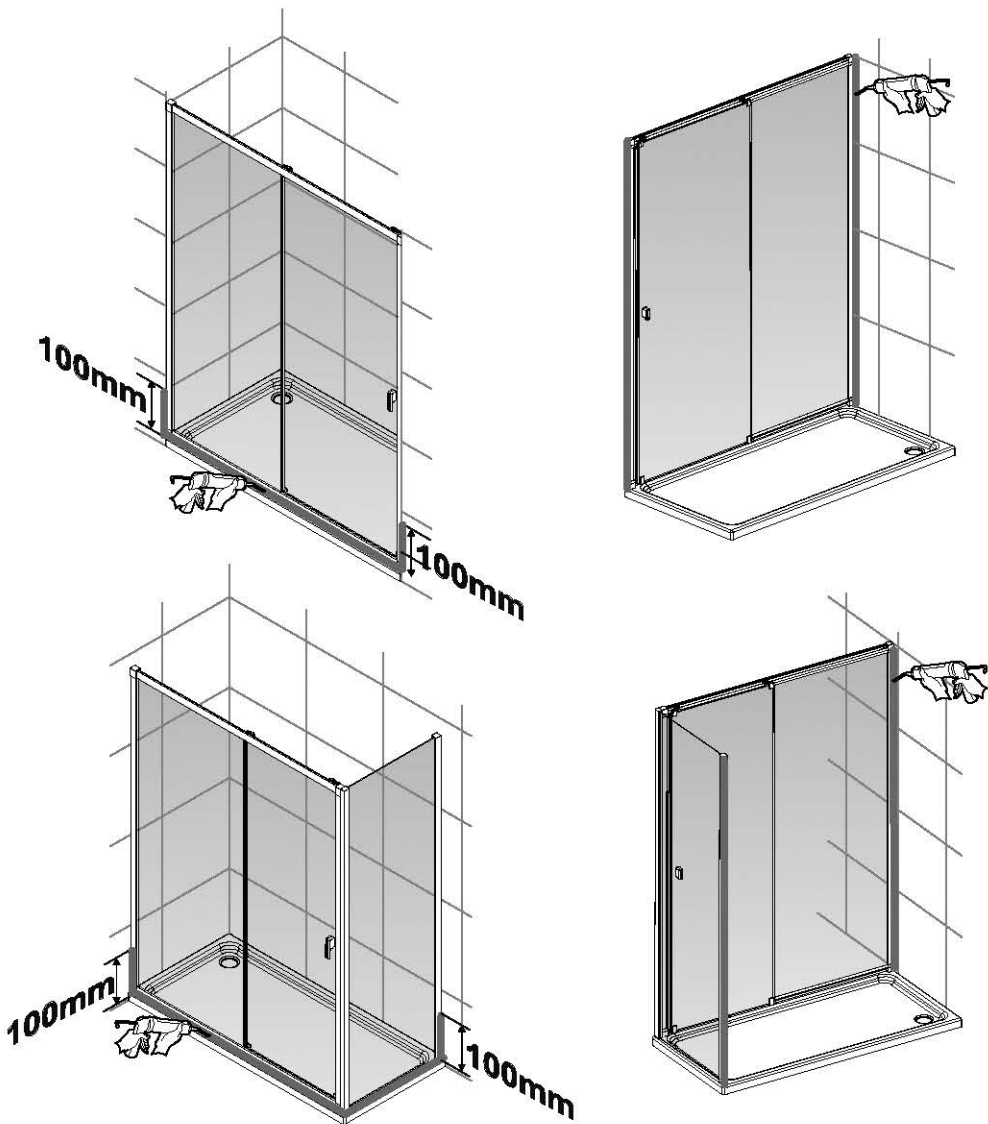






- | | | | |
|---|---|---|---|
| T2 00043 | | T2 00098 | T2 00099 |
|  |  |  |  |
| T5100197 | T5100198 | T5100199 | T5100187 |
|  |  |  | |
| T5100203 | T5100204 | T5100200 | |





V4

5430335

Roca Sanitario, S.A.
 Avda. Diagonal, 513
 08029 Barcelona - SPAIN
 Teléfono 93 366 1200
 Fax 93 419 4501
 www.roca.es

Roca

**902
304
848**  **LÍNEA DE
ATENCIÓN AL
CONSUMIDOR
ESPAÑA**