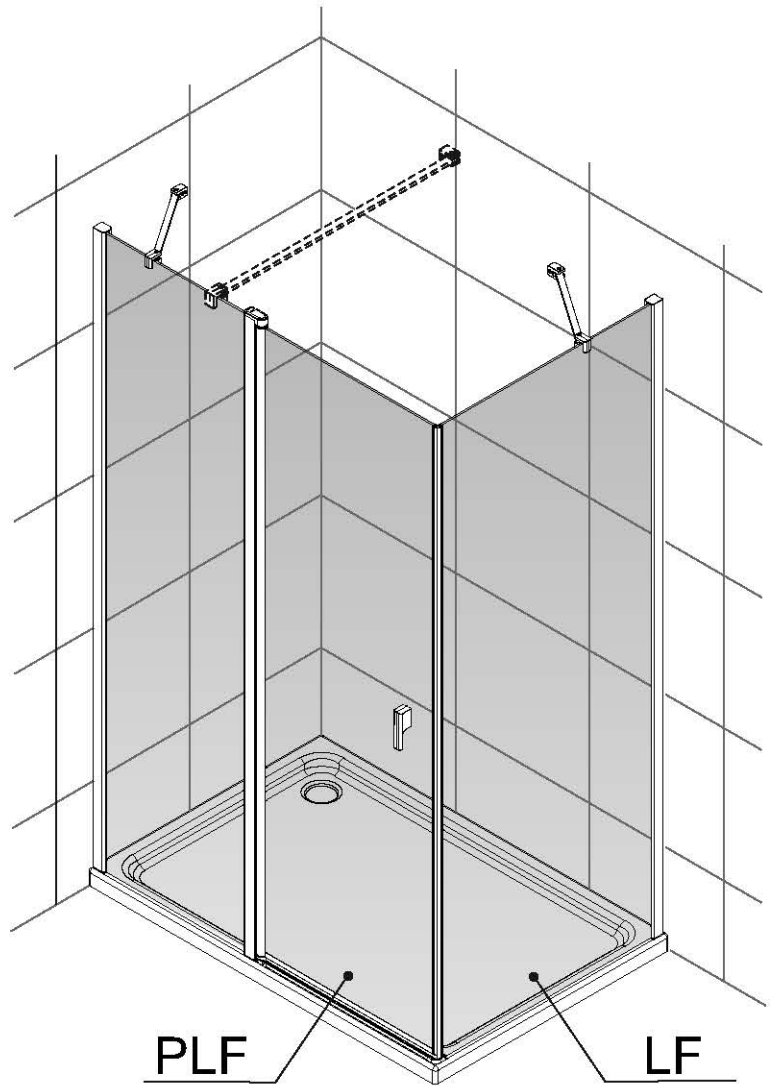
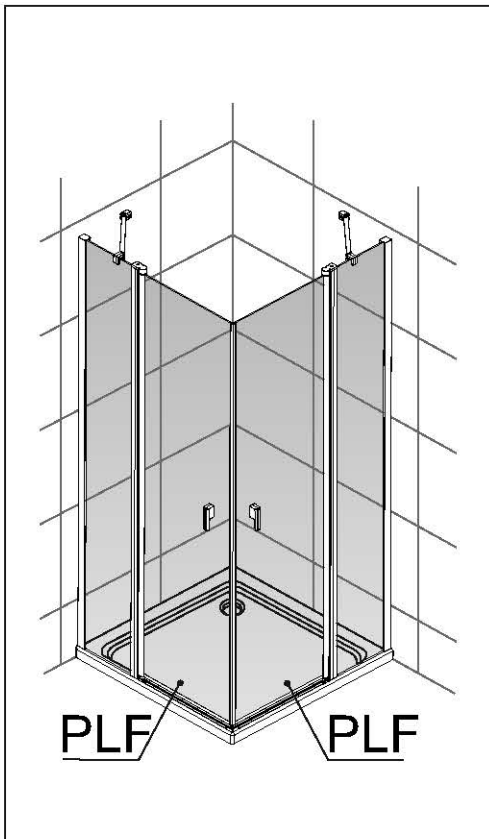
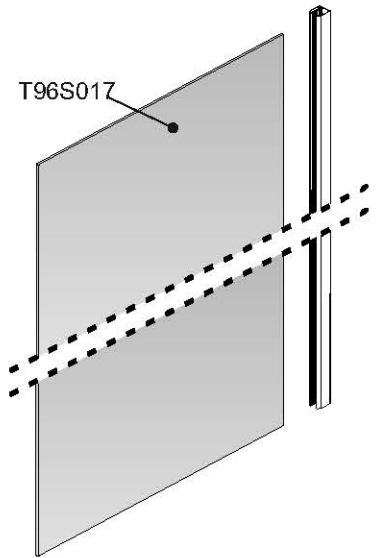
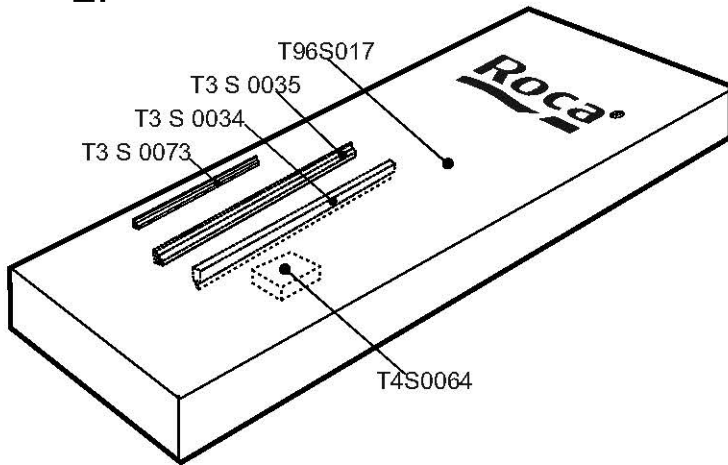


**Roca**

## EASY PLF/LF



LF

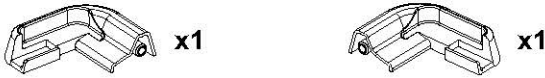


T4S0064

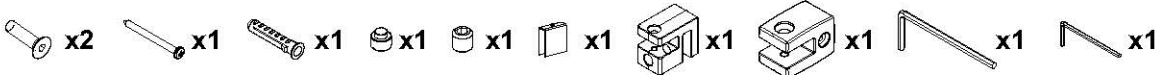
T2 00002



T2 00032



T2 00033

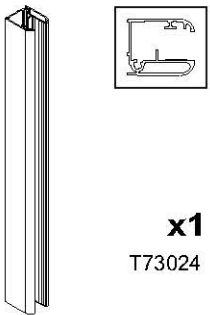


T2 00038

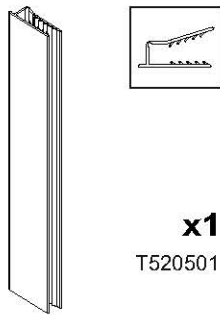


T3S0073

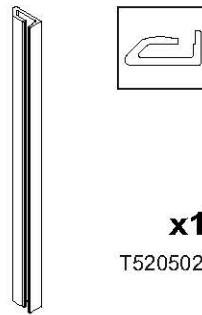
T3S0035



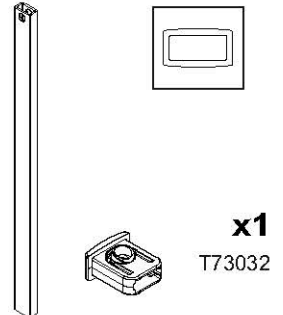
**x1**  
T73024



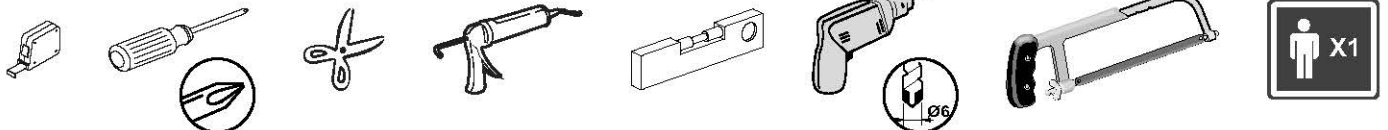
**x1**  
T520501



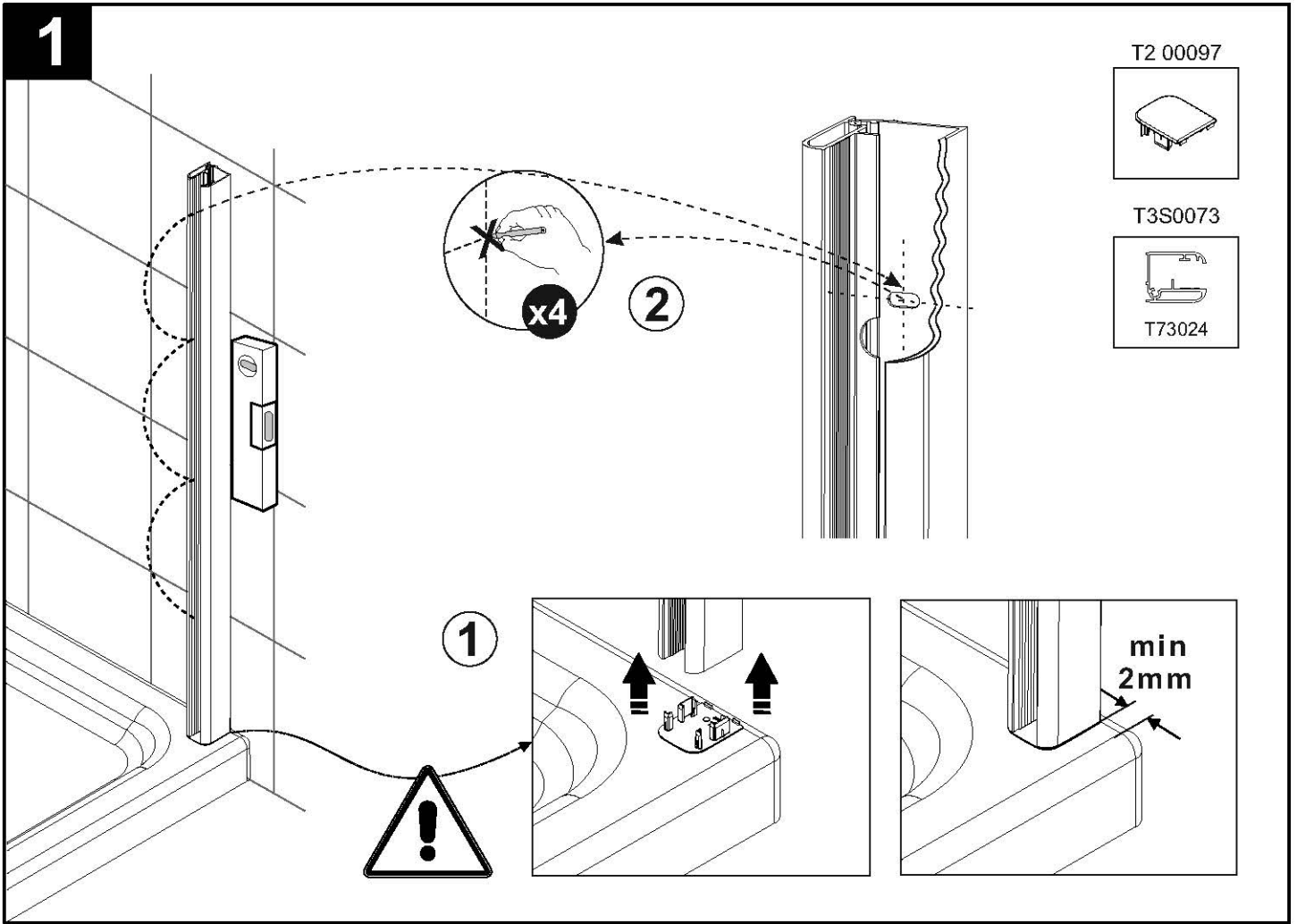
**x1**  
T520502



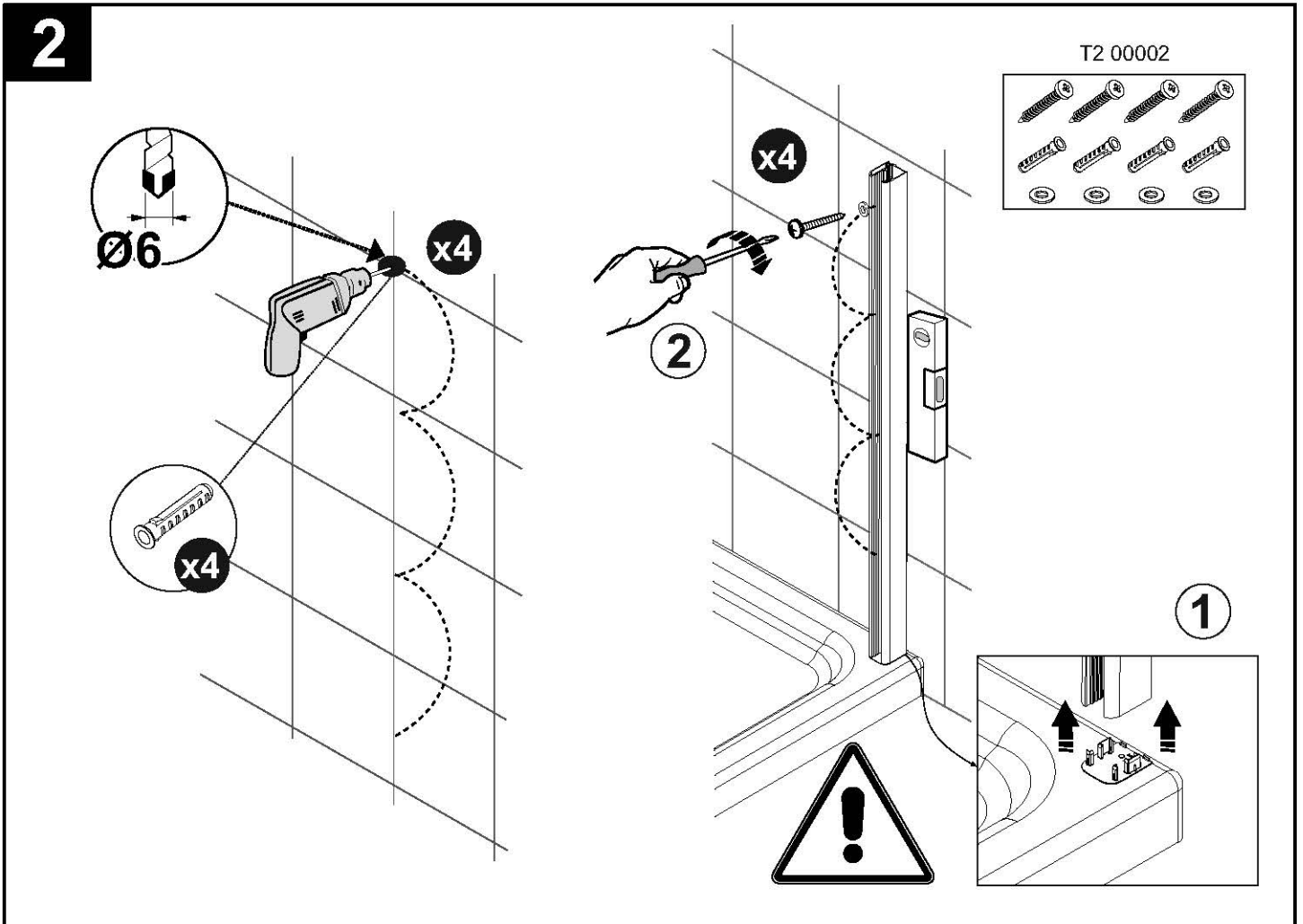
**x1**  
T73032



1

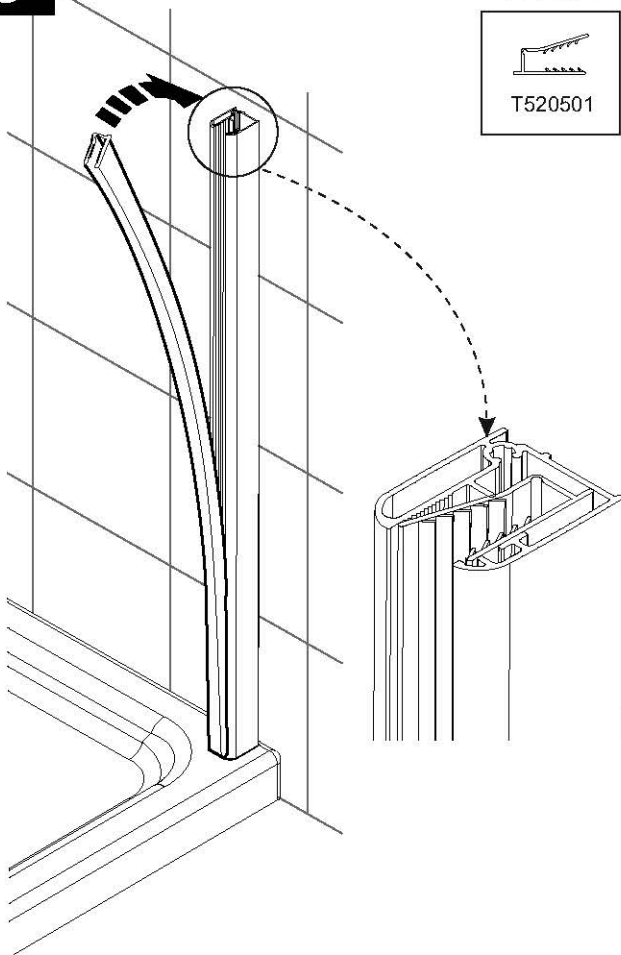
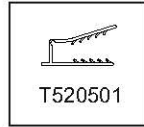


2

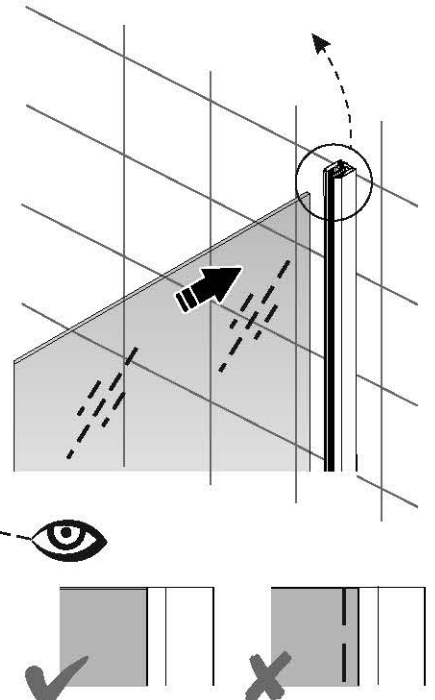
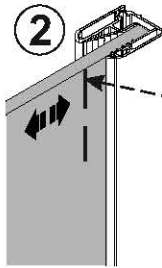
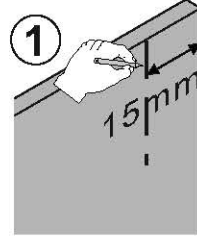
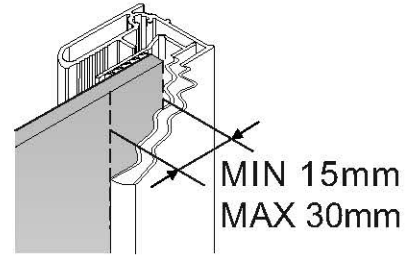


3

T3S0073



4

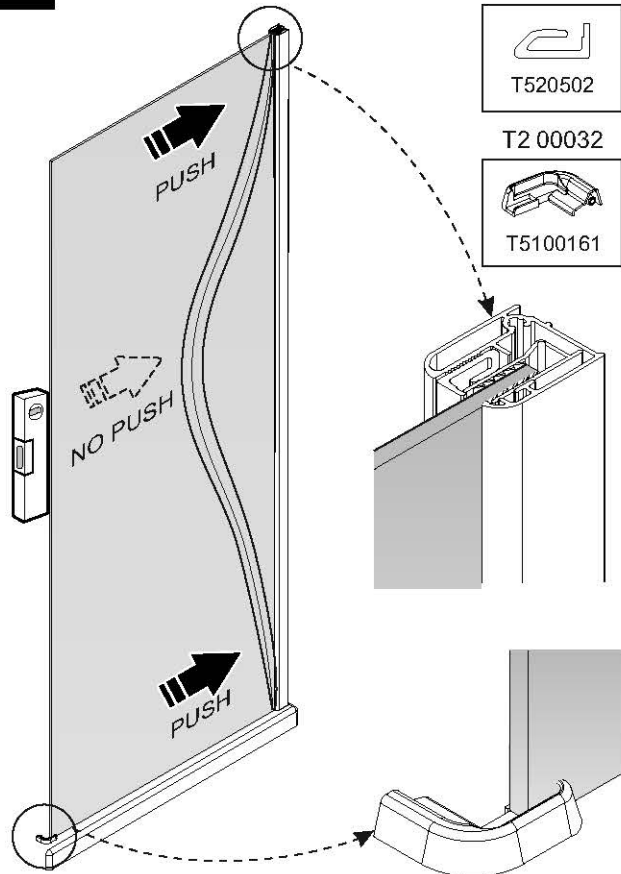


5

T3S0073

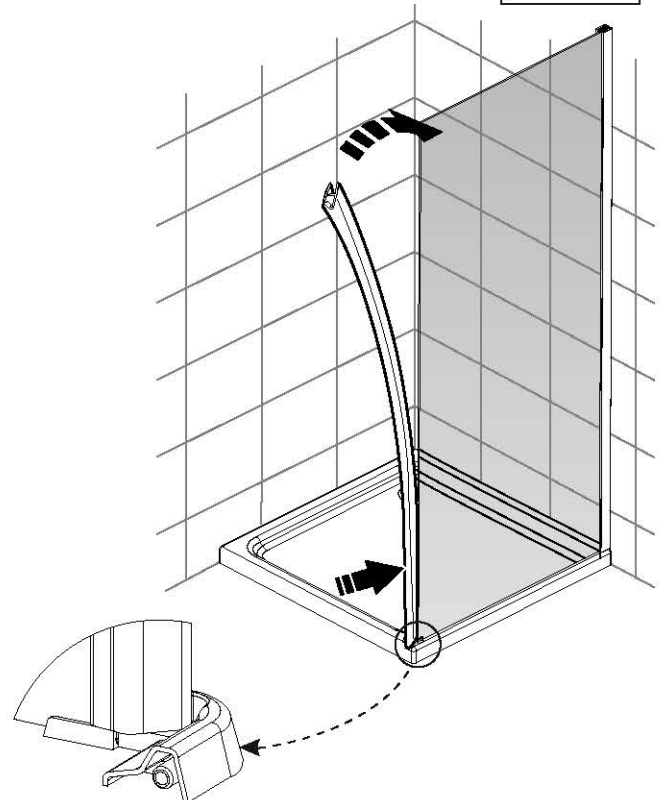


T2 00032



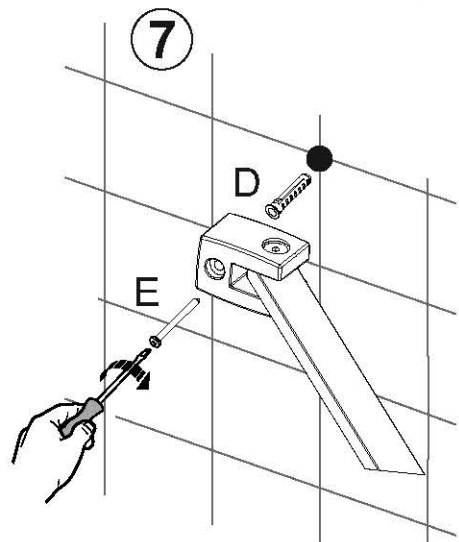
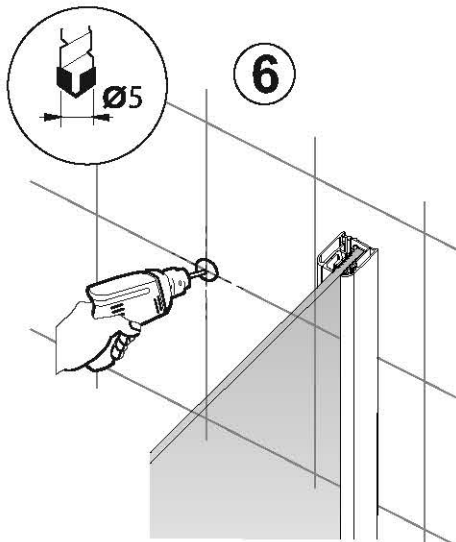
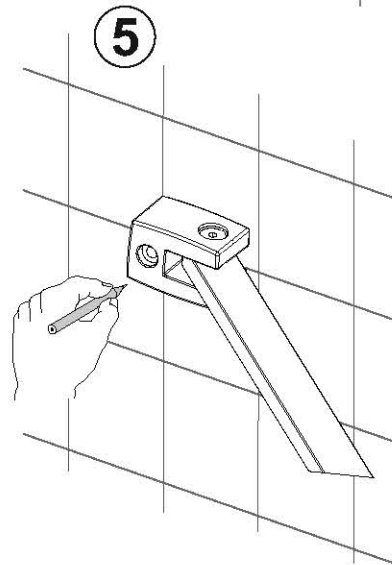
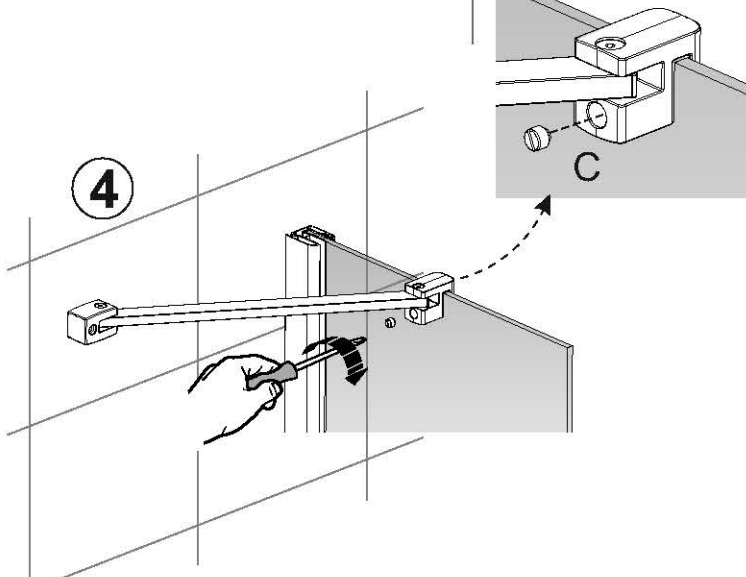
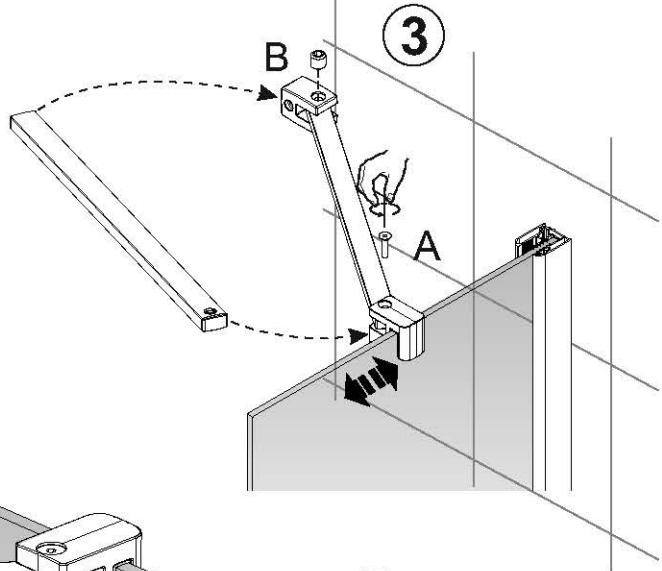
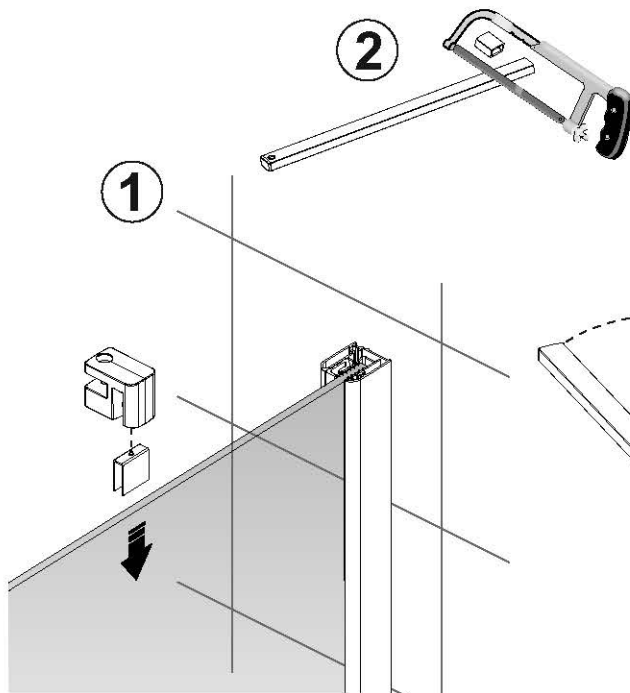
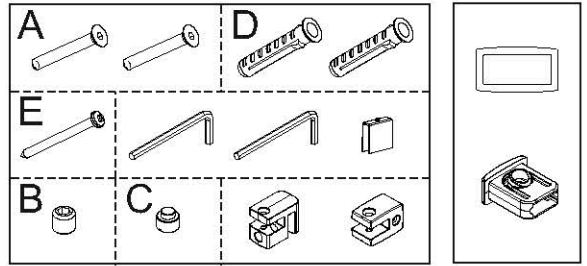
6

T3S0028

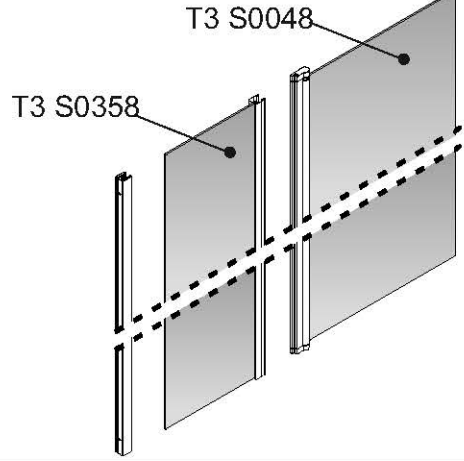
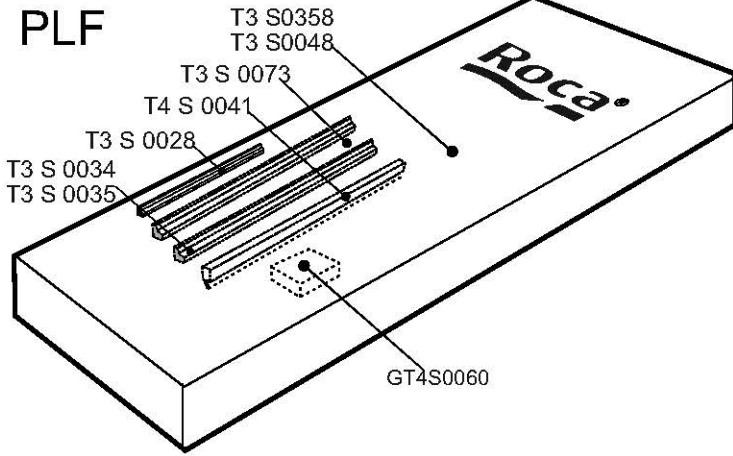


T2 00093

T3S0035



PLF



T4S0060

T2 00002	x4	Ø6 x4	Ø9 x4			
T2 00027	x4	x4	Ø3 x1			
T2 00030	x1	x1	x1	x1	x1	
T2 00092	x2	x1	x1	x1	x1	x1
T2 00093	x2	x1	x1	x1	x1	x1
T2 00096	x1	x1				
T2 00097	x2	x2				

T3S0073

x1 T73024	x1 T520501	x1 T520502
--------------	---------------	---------------

T4S0041

x1 T520506	x1 T73038
---------------	--------------

T3S0028

x1 T520082	x1 T520083
---------------	---------------

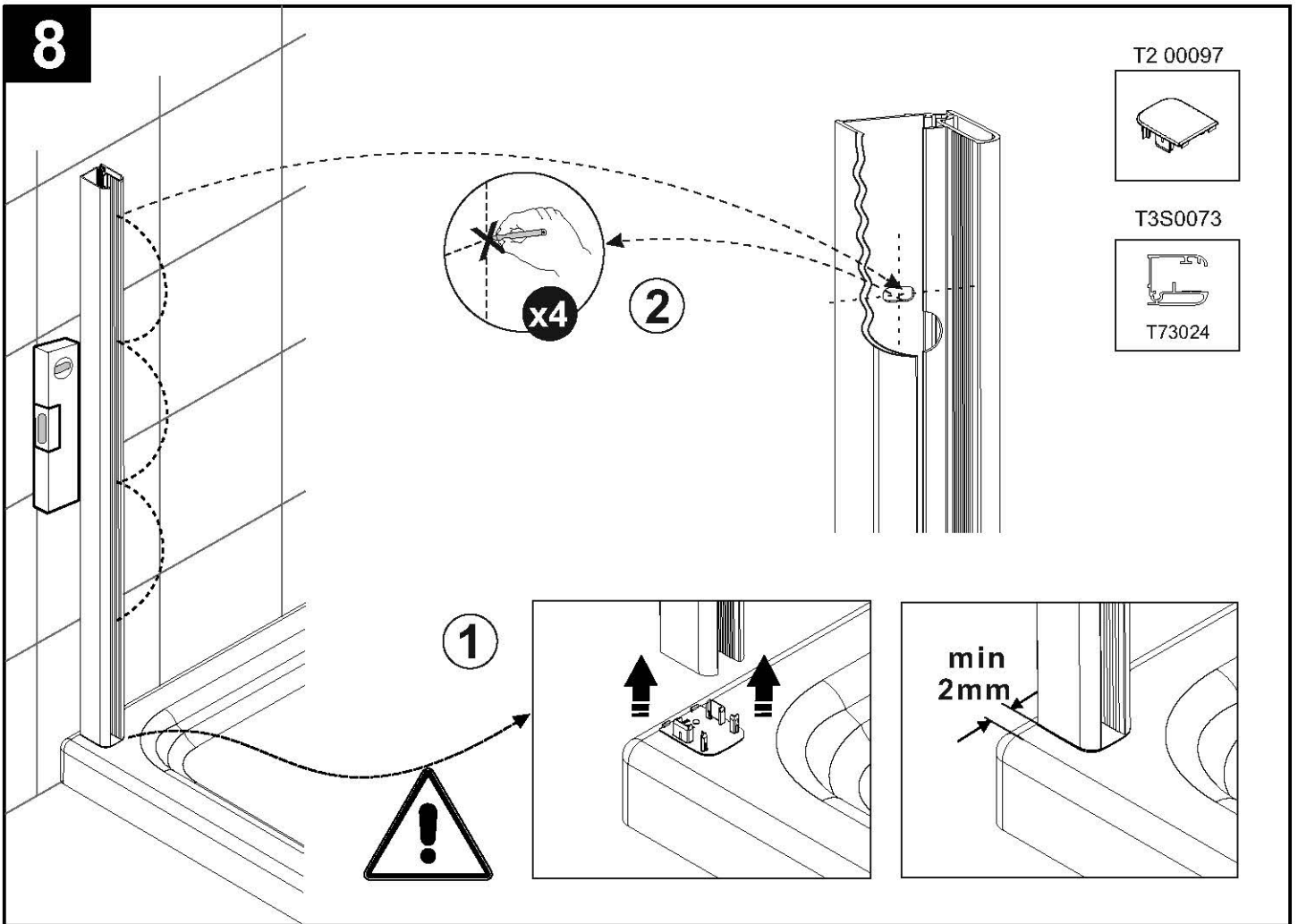
T3S0035

x1 T73032
--------------

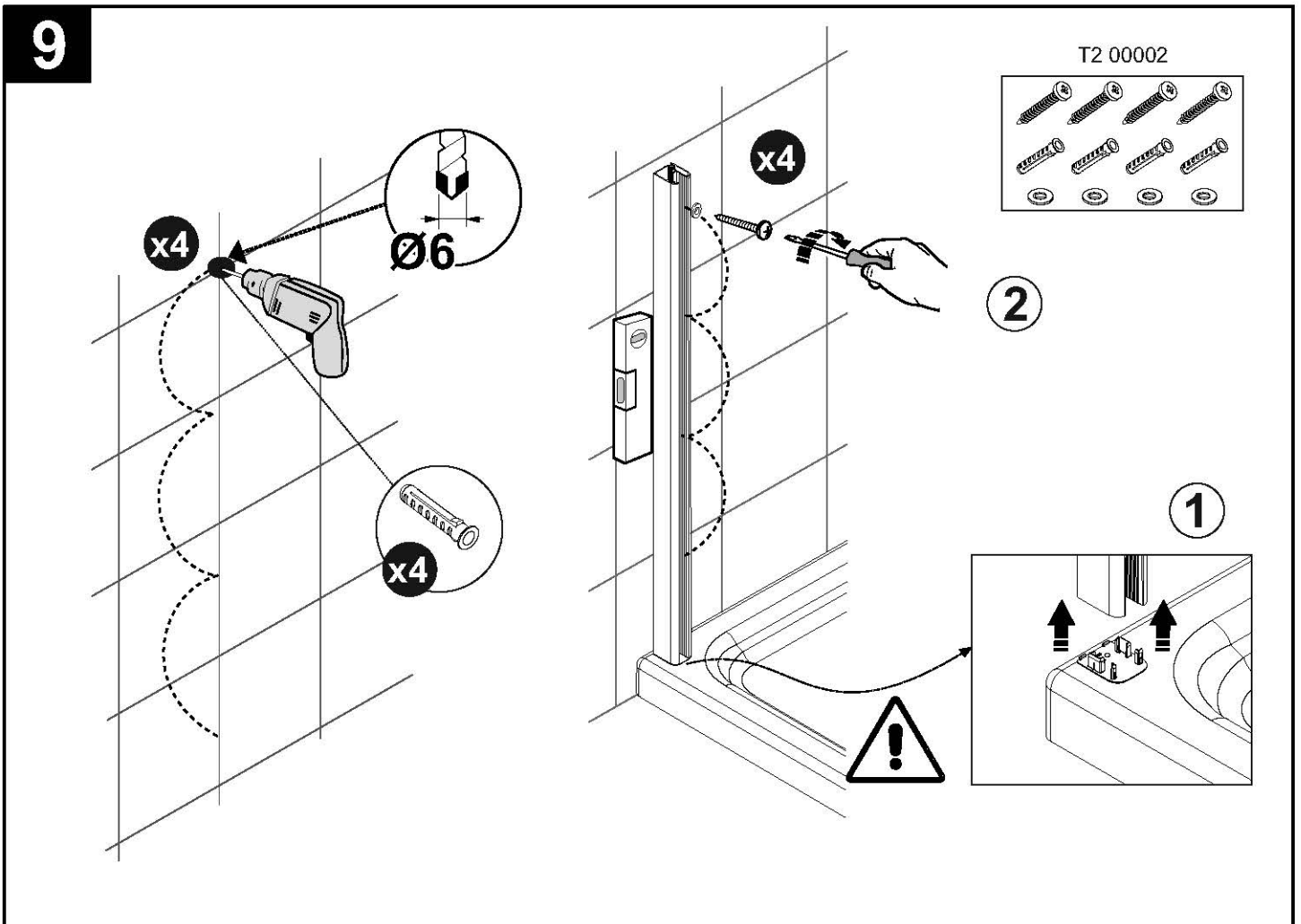
T3S0034

x1 T73032
--------------

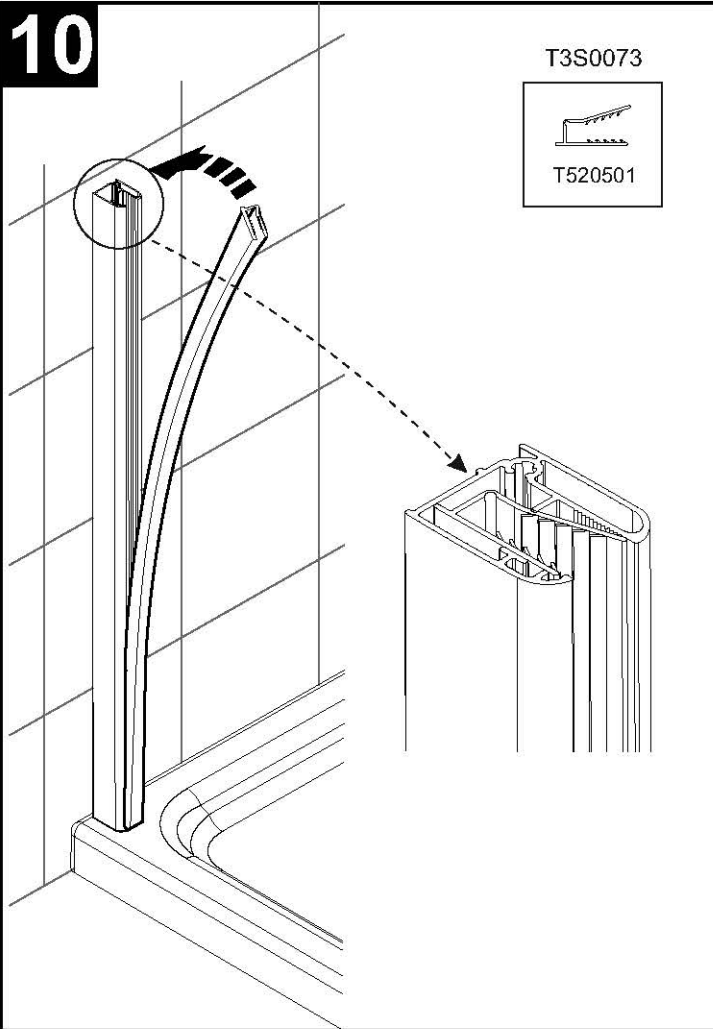
8



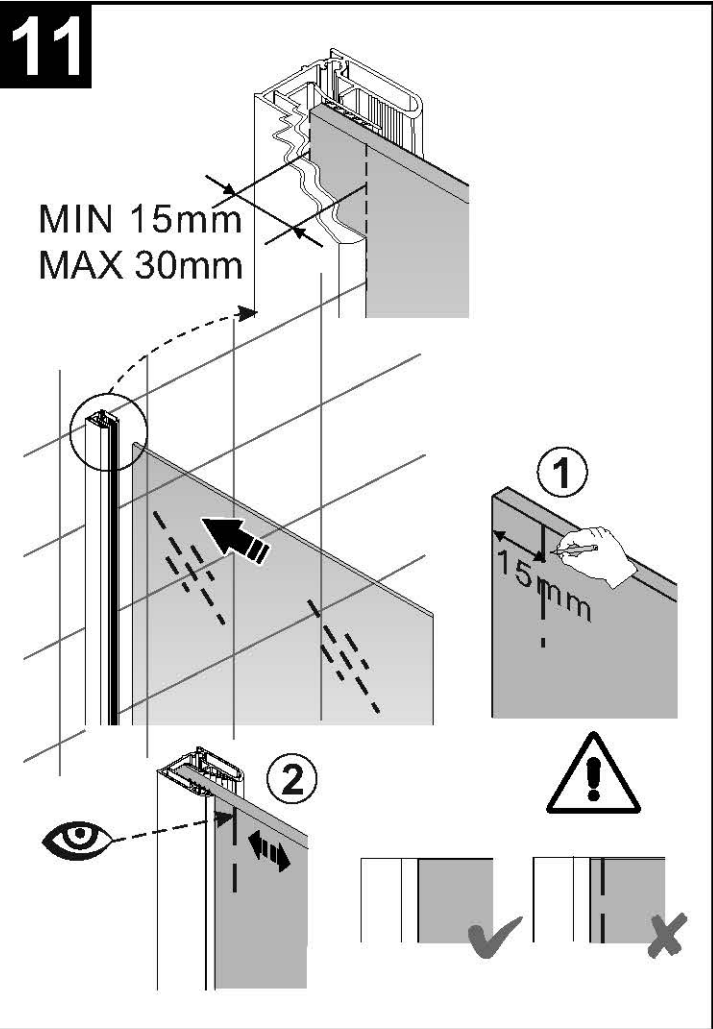
9



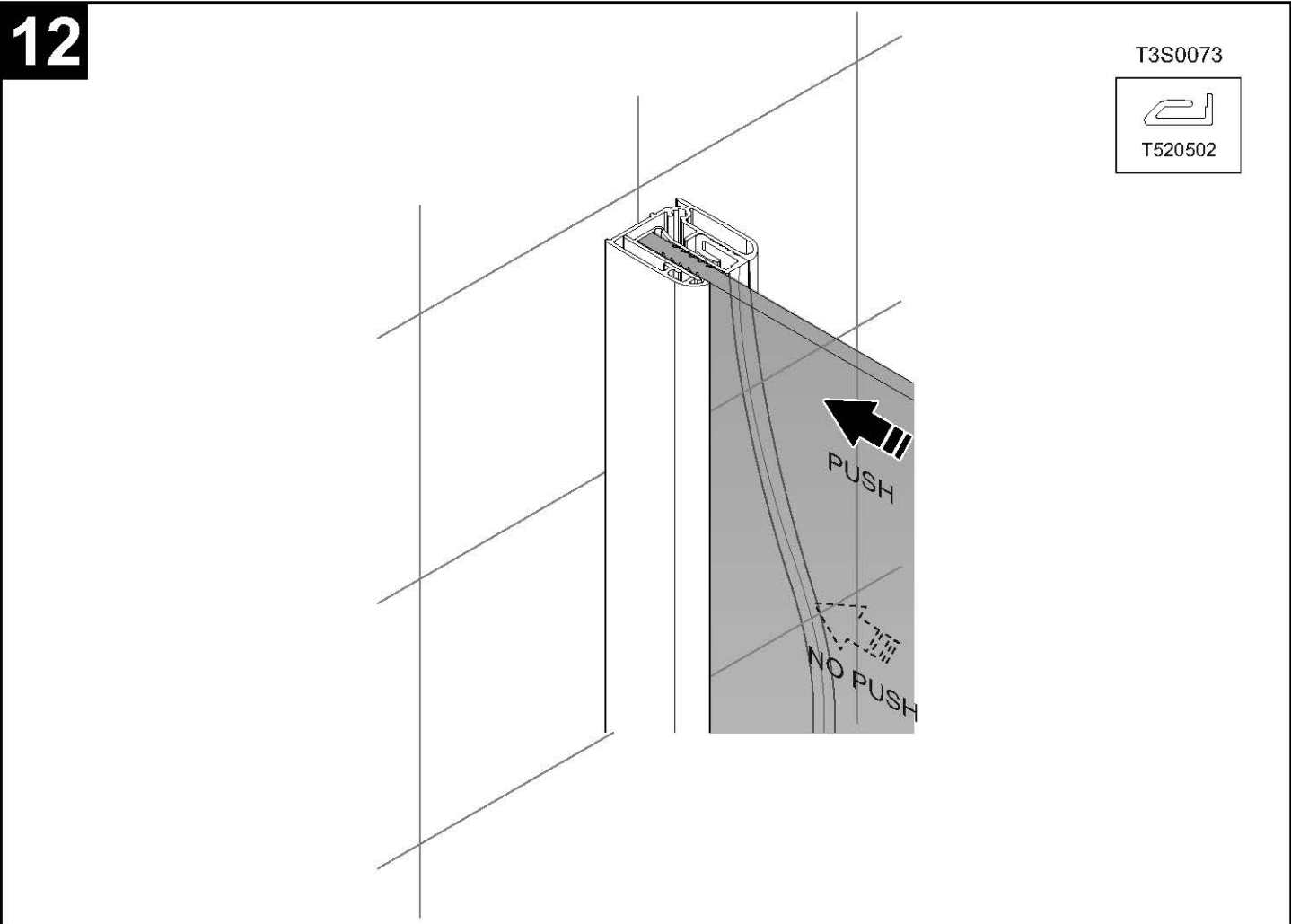
10



11



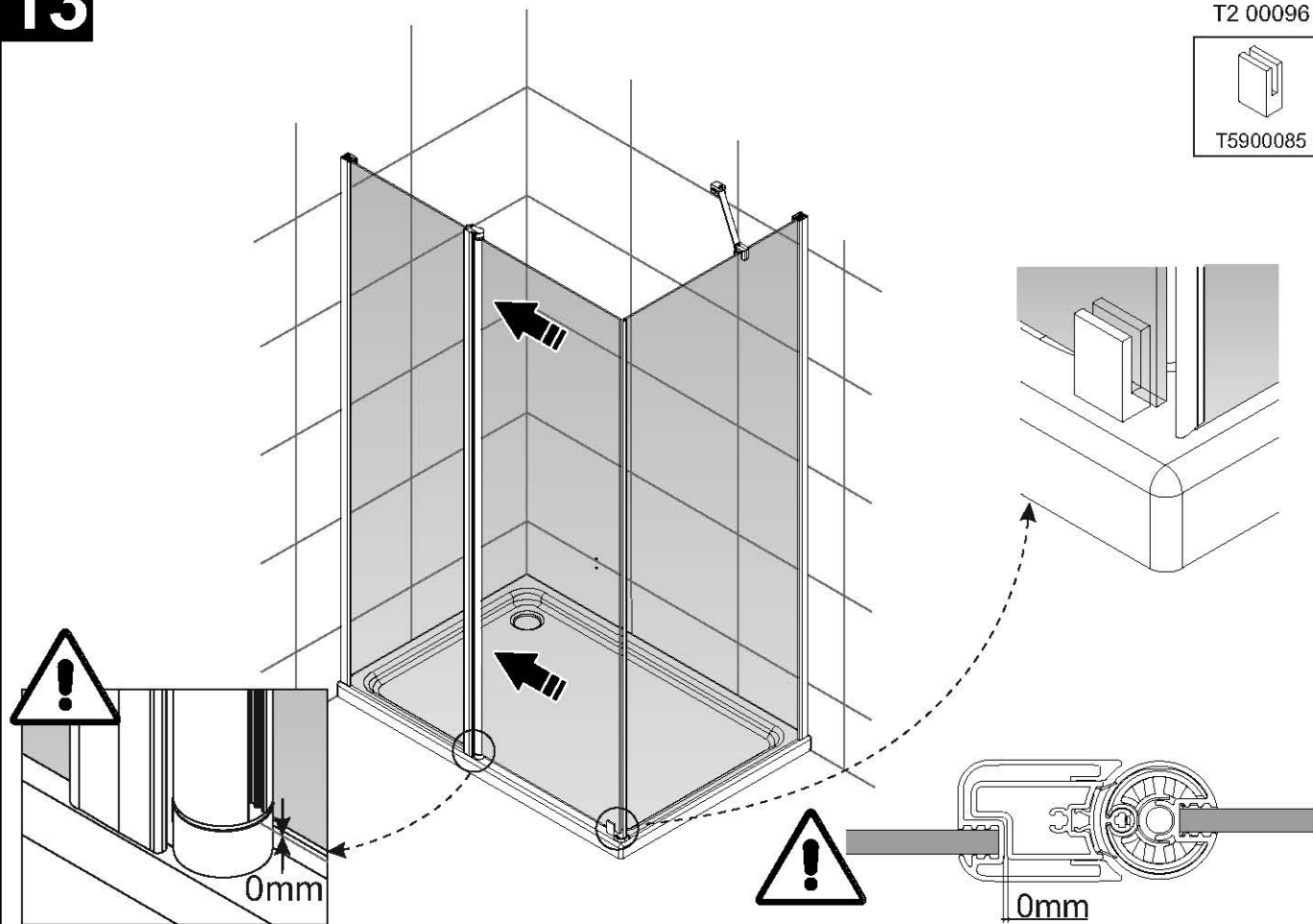
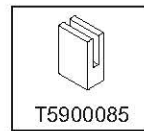
12





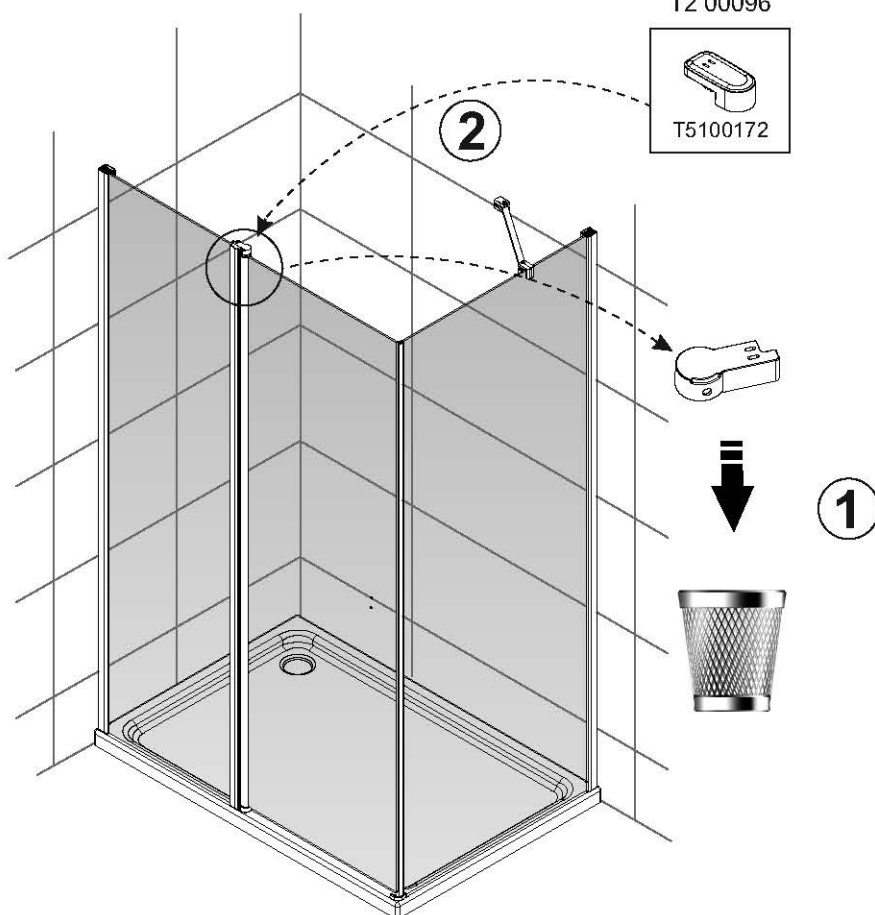
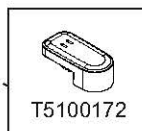
13

T2 00096



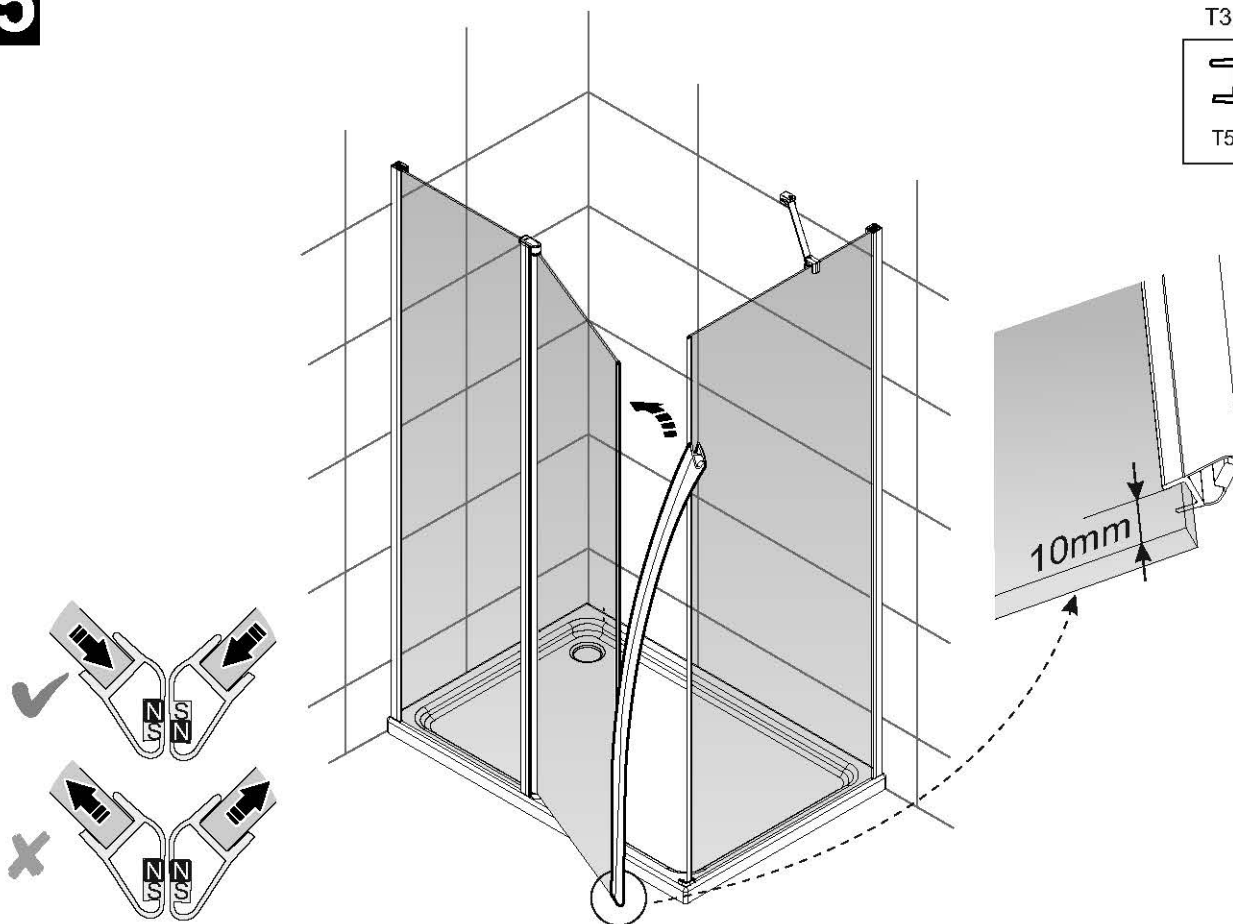
14

T2 00096

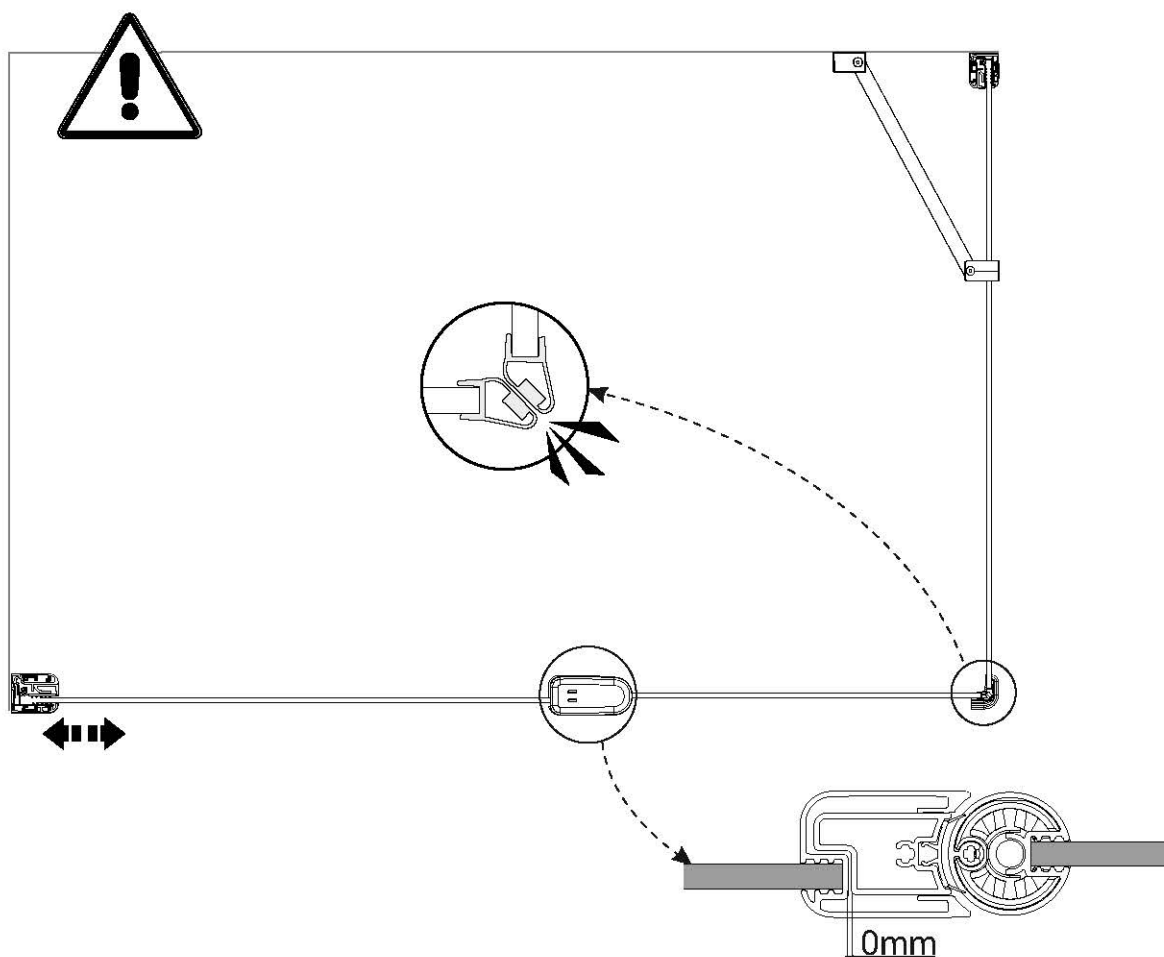


15

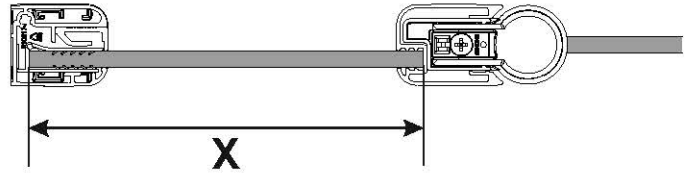
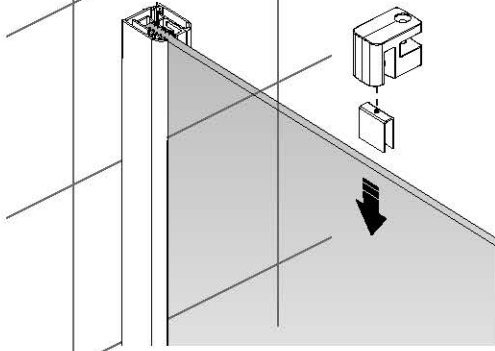
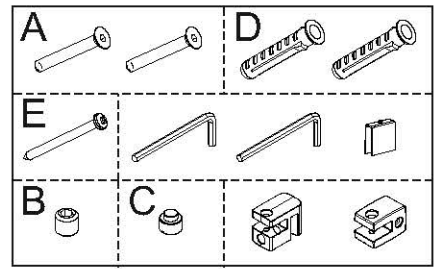
T3S0028



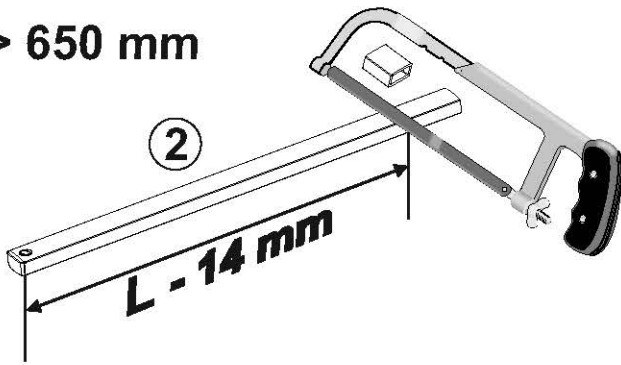
16



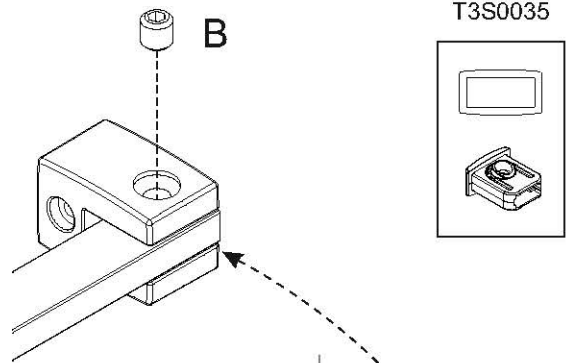
T2 00093



$X > 650 \text{ mm}$

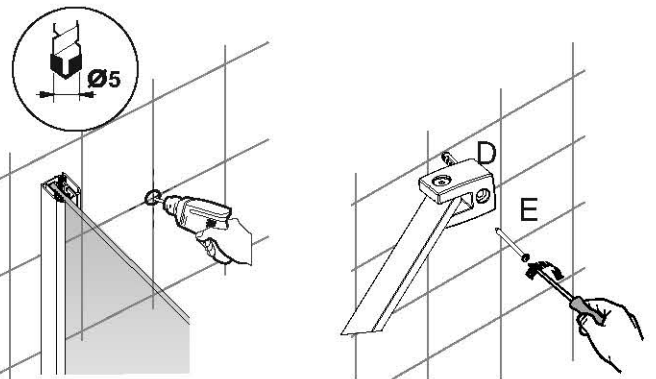
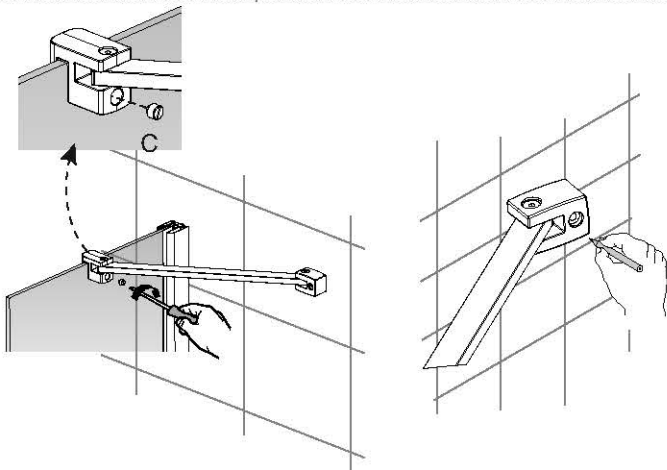
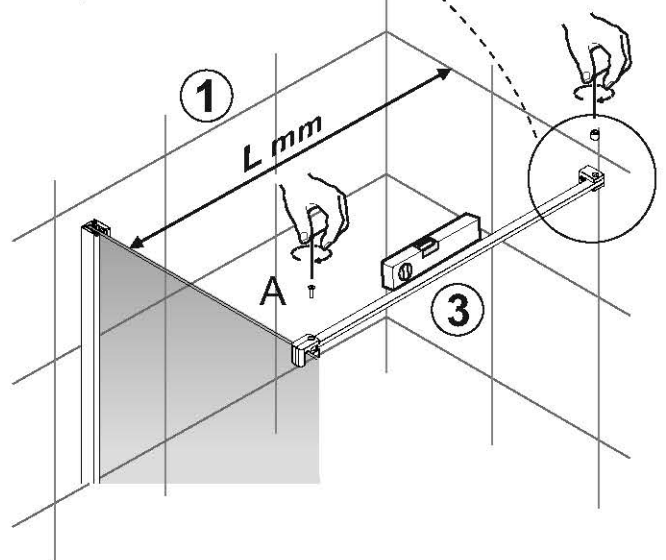
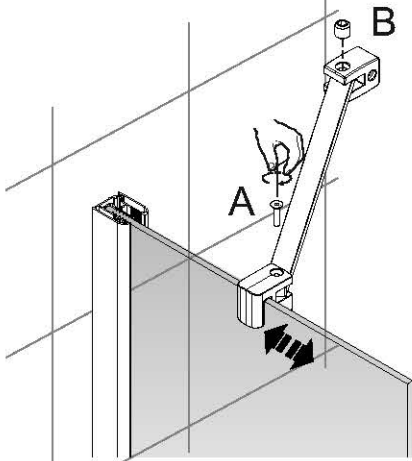
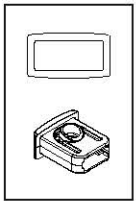


T3S0035

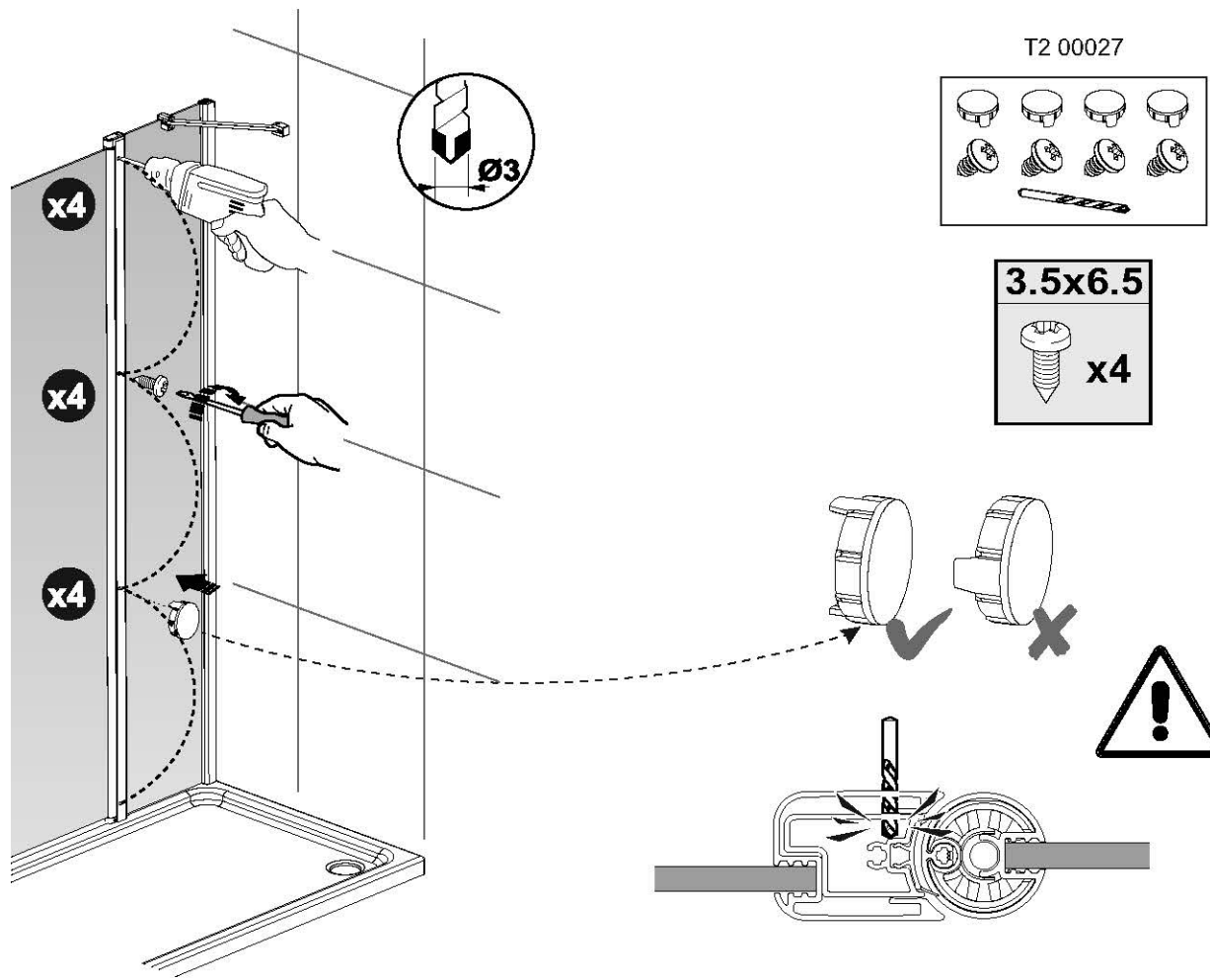


$X < 650 \text{ mm}$

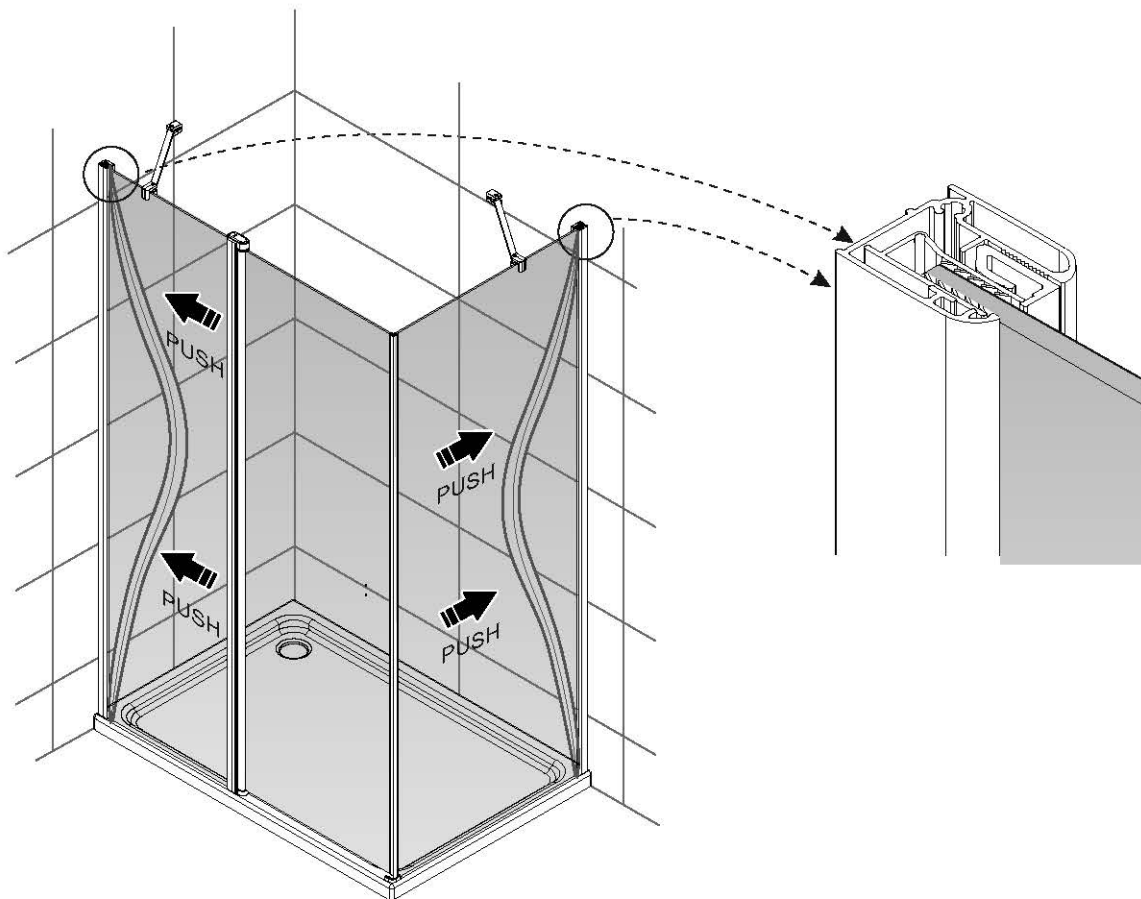
T3S0034



18

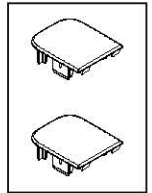
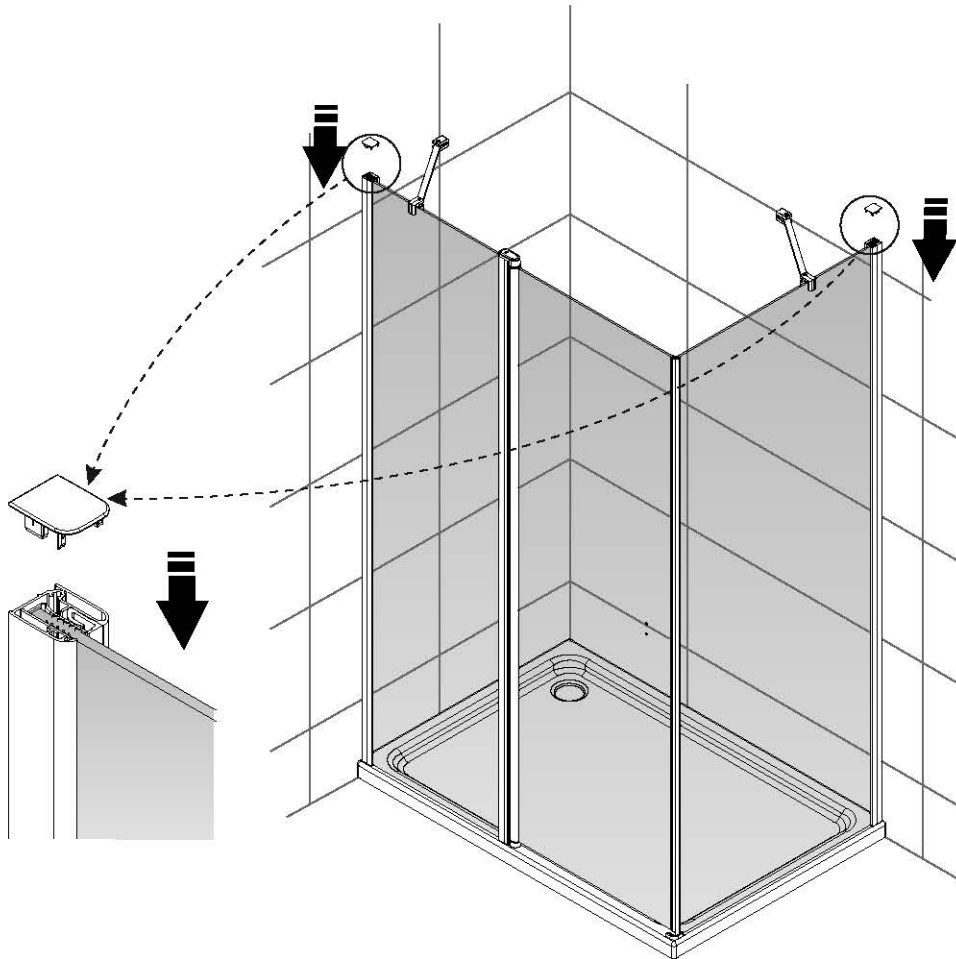


19



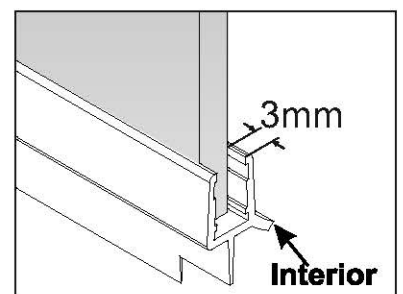
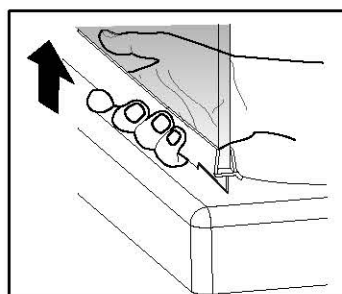
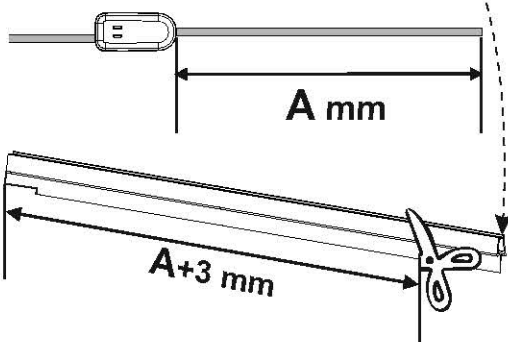
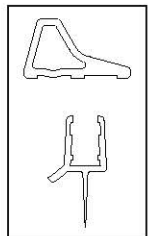
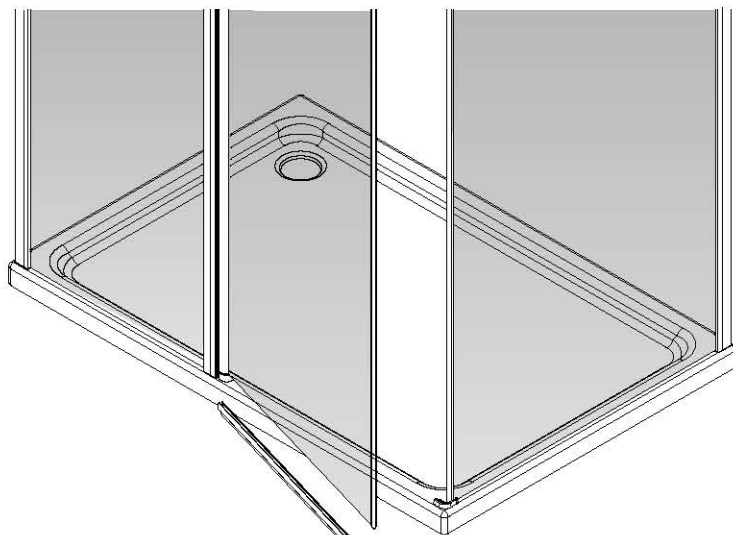
20

T2 00097



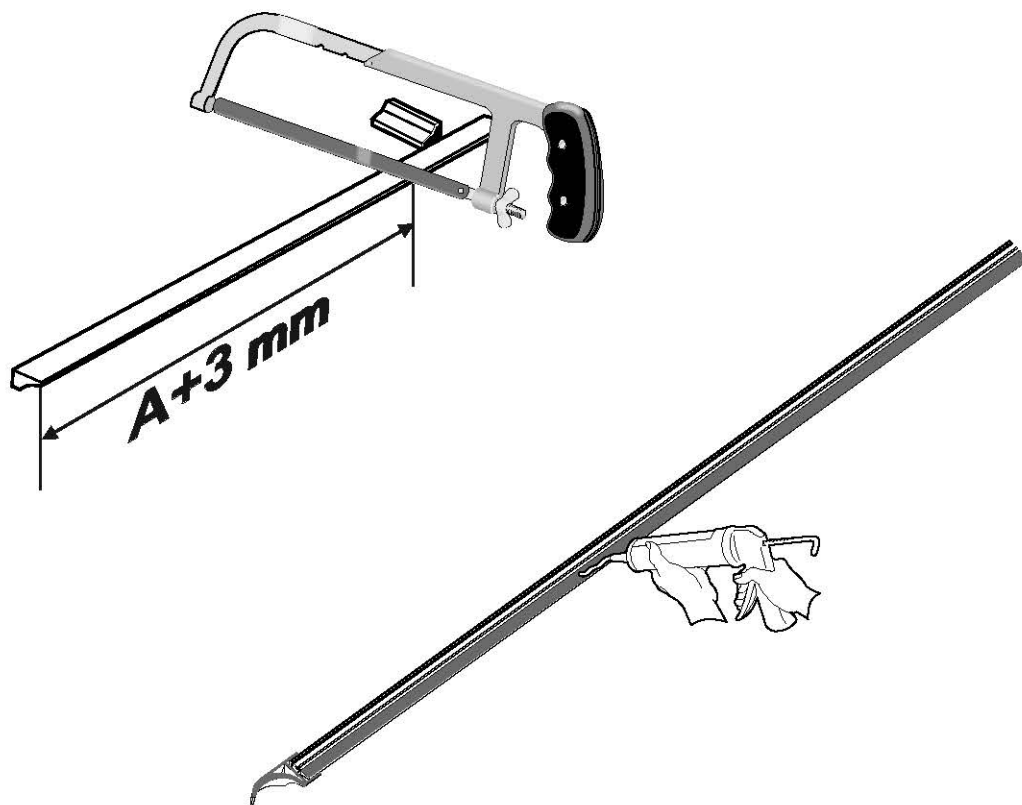
21

T4S0041

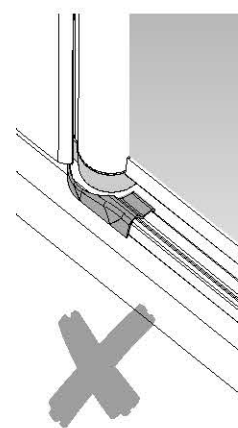
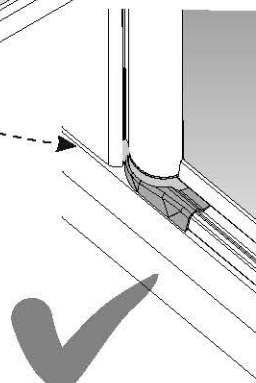
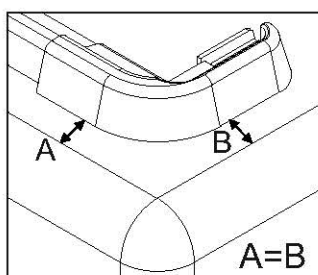
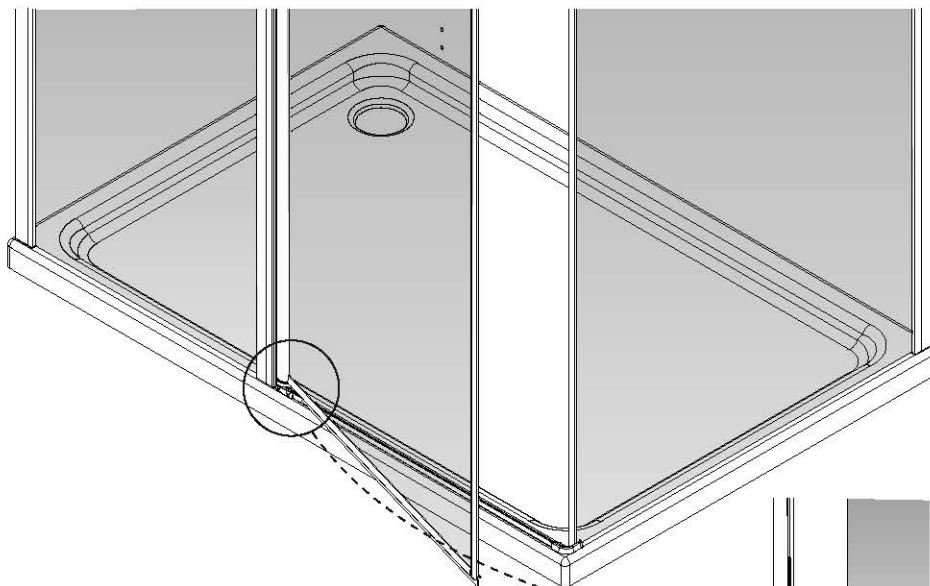


22

T2 00030

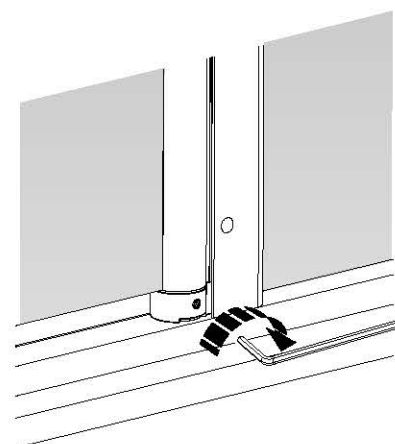
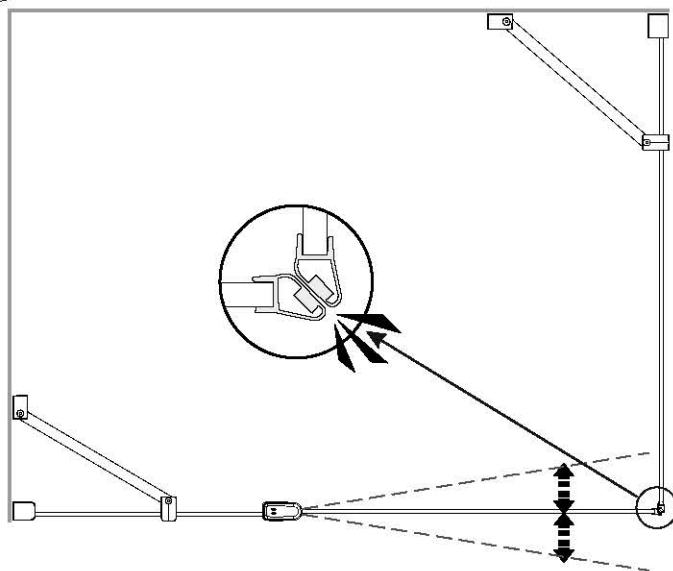
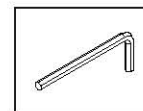
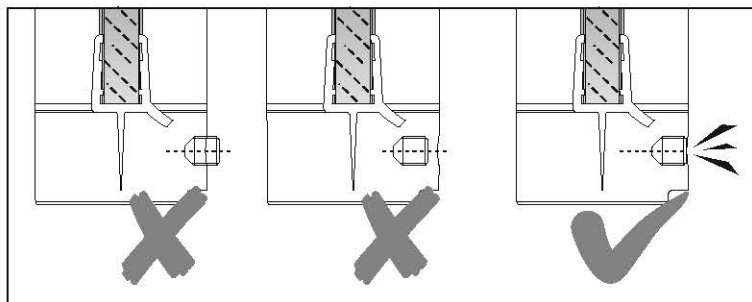
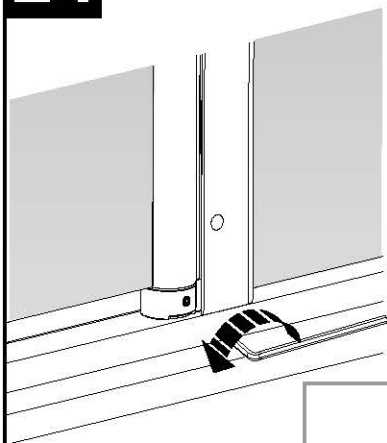


23



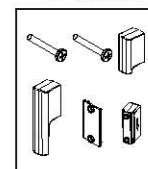
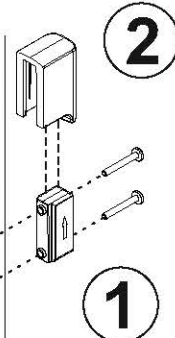
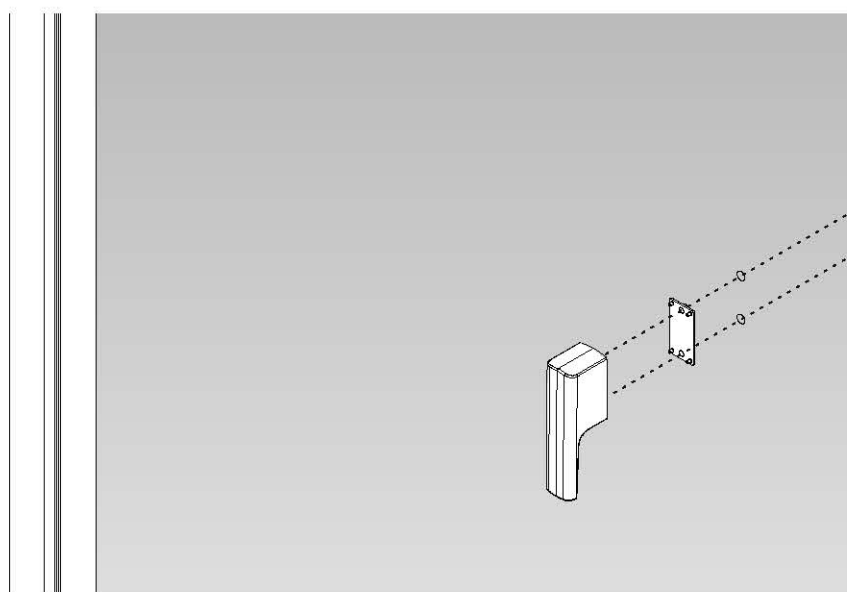
24

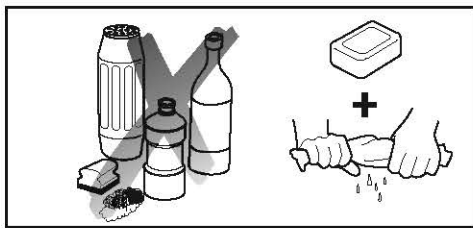
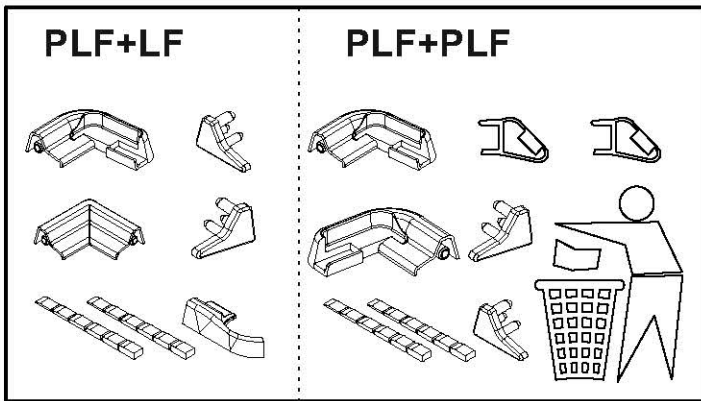
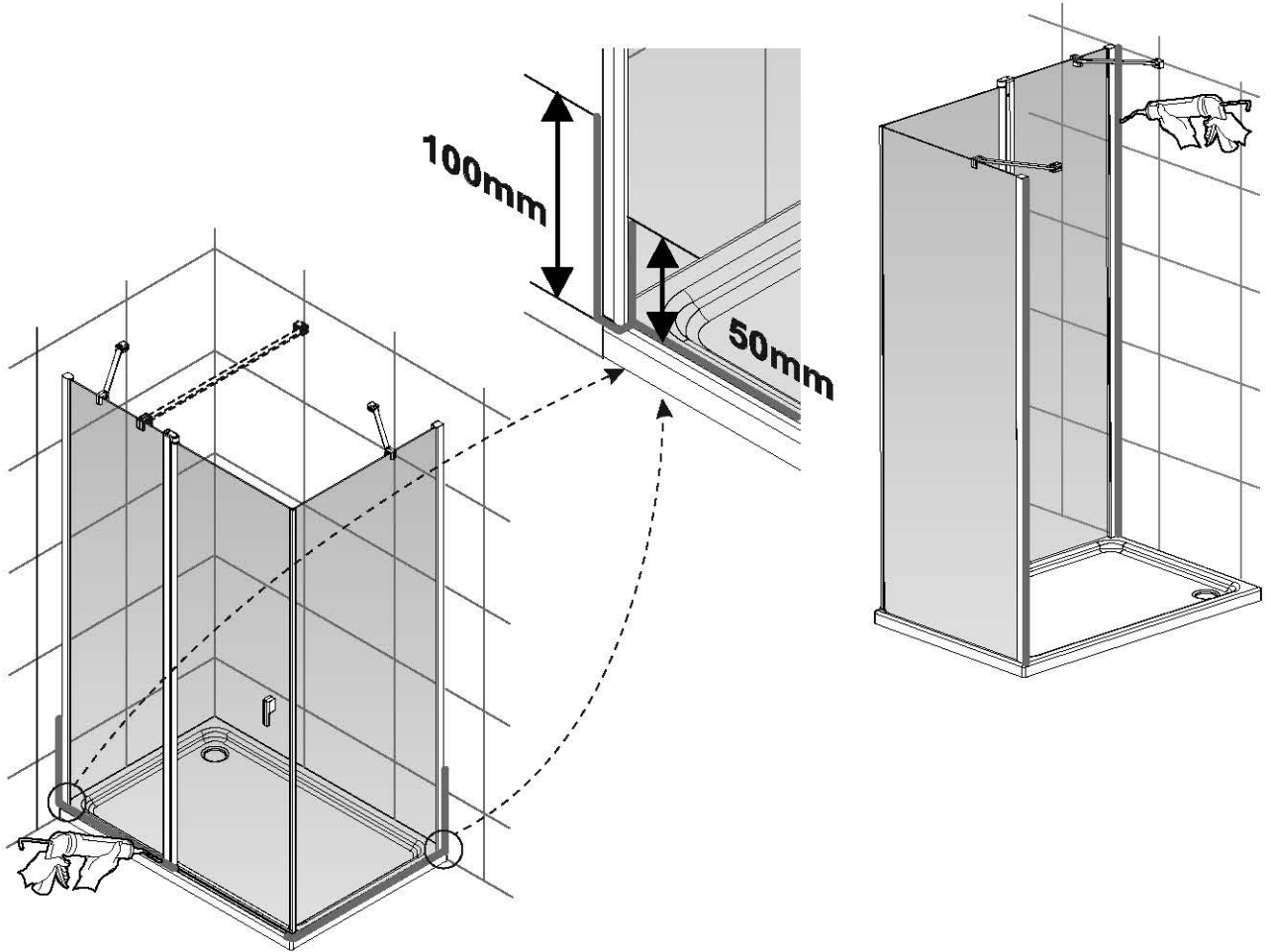
T2 00092



25

T2 00092





V8



**Roca Sanitario, S.A.**  
 Avda. Diagonal, 513  
 08029 Barcelona - SPAIN  
 Teléfono 93 366 1200  
 Fax 93 419 4501  
 www.roca.es



**902  
 304  
 848** LÍNEA DE ATENCIÓN AL CONSUMIDOR ESPAÑA