

FUSSION LINE - 2 drawers - 600 / 700 / 800 / 900 / 1000 / 1200 (2x600)

Materials

- **Front Panels (Thickness = 16mm):**
 - Gloss white, Gloss grey, Gloss taupe: lacquered particle board lacquered with high gloss polyester UV paint.
 - Sbiancato, Alsacia, Natural, Bay Pine: laminated particle board. Edging design "Testa"
- **Side Panels (Thickness = 16 mm):**
 - Gloss white, Gloss grey, Gloss taupe lacquered particle board lacquered with high gloss polyester UV paint.
 - Sbiancato, Alsacia, Natural, Bay Pine: laminated particle board. Edging design "Testa"
- **Internal Structure panels (Thickness = 16mm):** laminated particle board.
- **Drawers:** Exclusive design "Carbon-TX" wood drawer. Hidden guides of high range of extraction plus and amortiguado closing with regulation in height. Max. Load capacity 25 Kg.

* All panels used in the manufacture of this unit are classed as E-1 grade with low level of formaldehyde content.

*Edges according to design: PVC, ABS. (edged with PUR glue)



Drawer interior organizers

Metal Fittings

- **Wall brackets:** high resistance wall brackets with two independent regulations. Certificate according to DIN 68840 (equivalent to 130kg of final load per set).

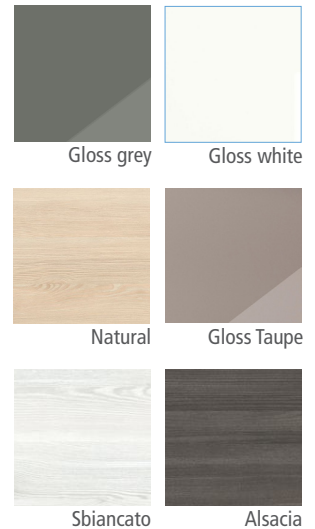
Packaging Dimensions and weight (mm).

	600	700	800	900	1000
Lenght mm.	645	745	845	945	1045
Depth mm.	500				
Height mm..	620				
Net weight Kg.	18,5	20,5	21,7	24,6	26,9
Gross weight Kg	20,6	22,8	24,2	27,6	29,7

Interior drawer finishes



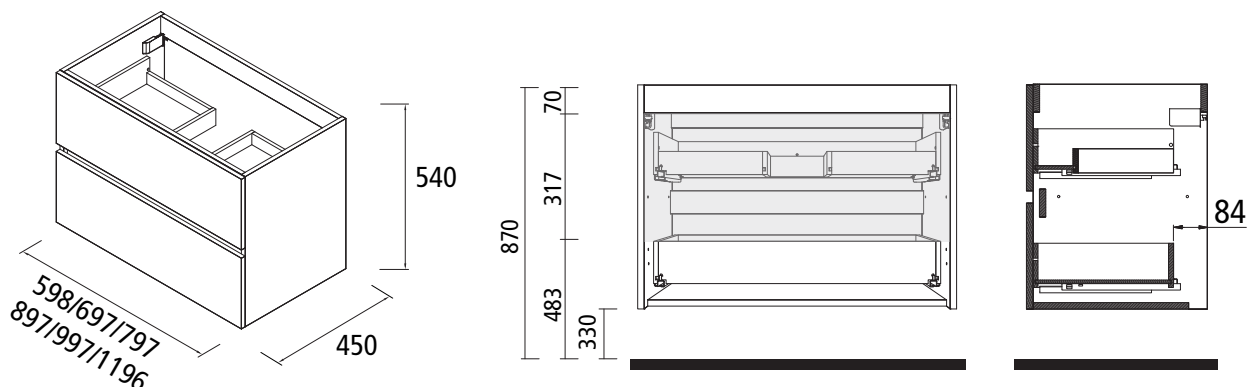
Vanity finishes



Basins available

- 600: Iberia, Veneto, Toscana; 700: Iberia, Toscana; 800: Iberia, Veneto, Toscana, Sofia ; 900: Iberia, Toscana; 1000: Iberia, Veneto, Toscana, Sofia; 1200: Iberia, Veneto, Toscana, Sofia.

Dimensional sketch and free space for water pipe



The 1196mm model is made up of 2 furniture of 598mm.