



Roca

DECK T / T 2000

DECK T SQUARE



A5A9C88C00

DECK T ROUND



A5A9788C00

T 2000



A5A2A88C00

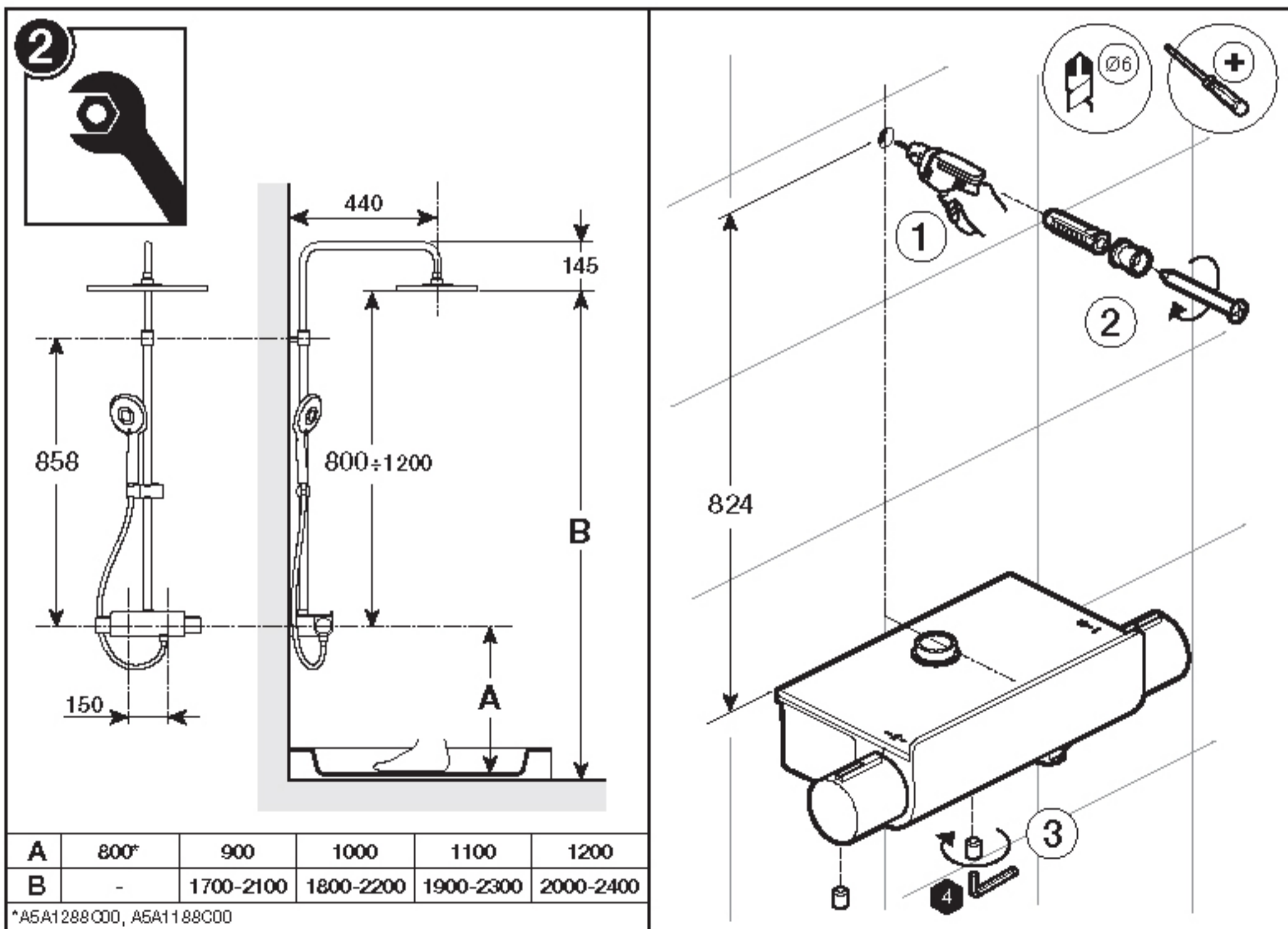
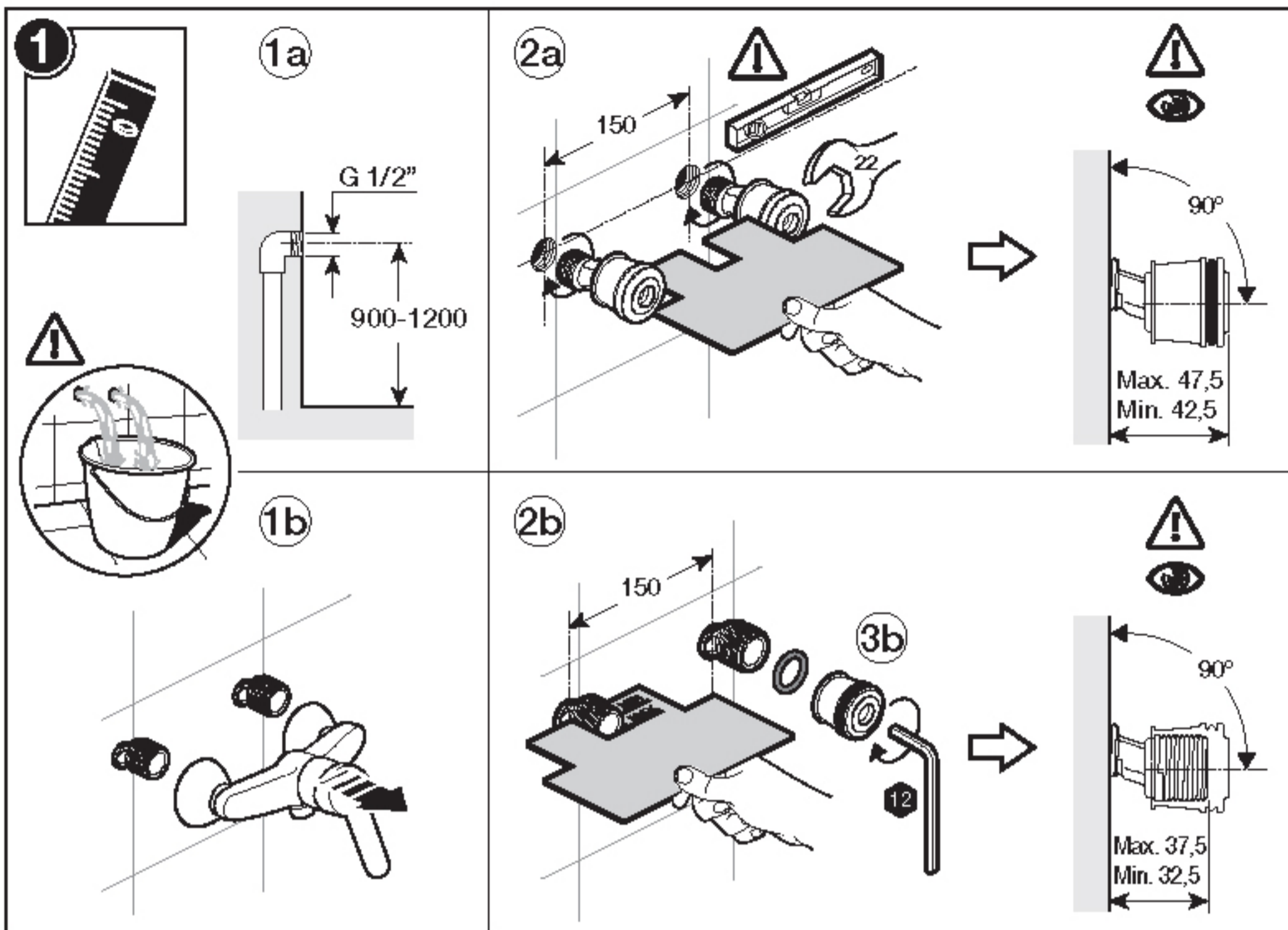


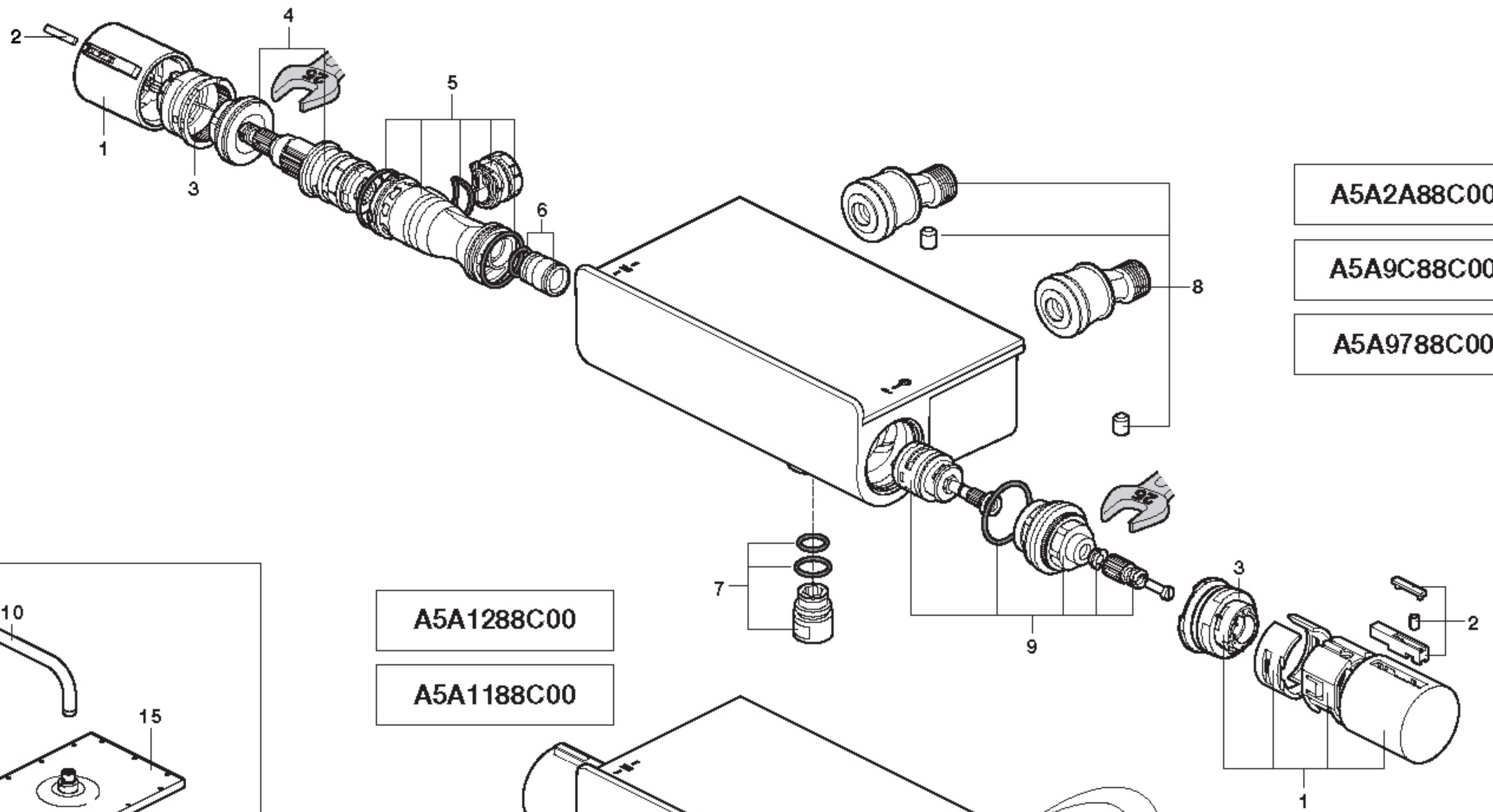
A5A1188C00



A5A1288C00







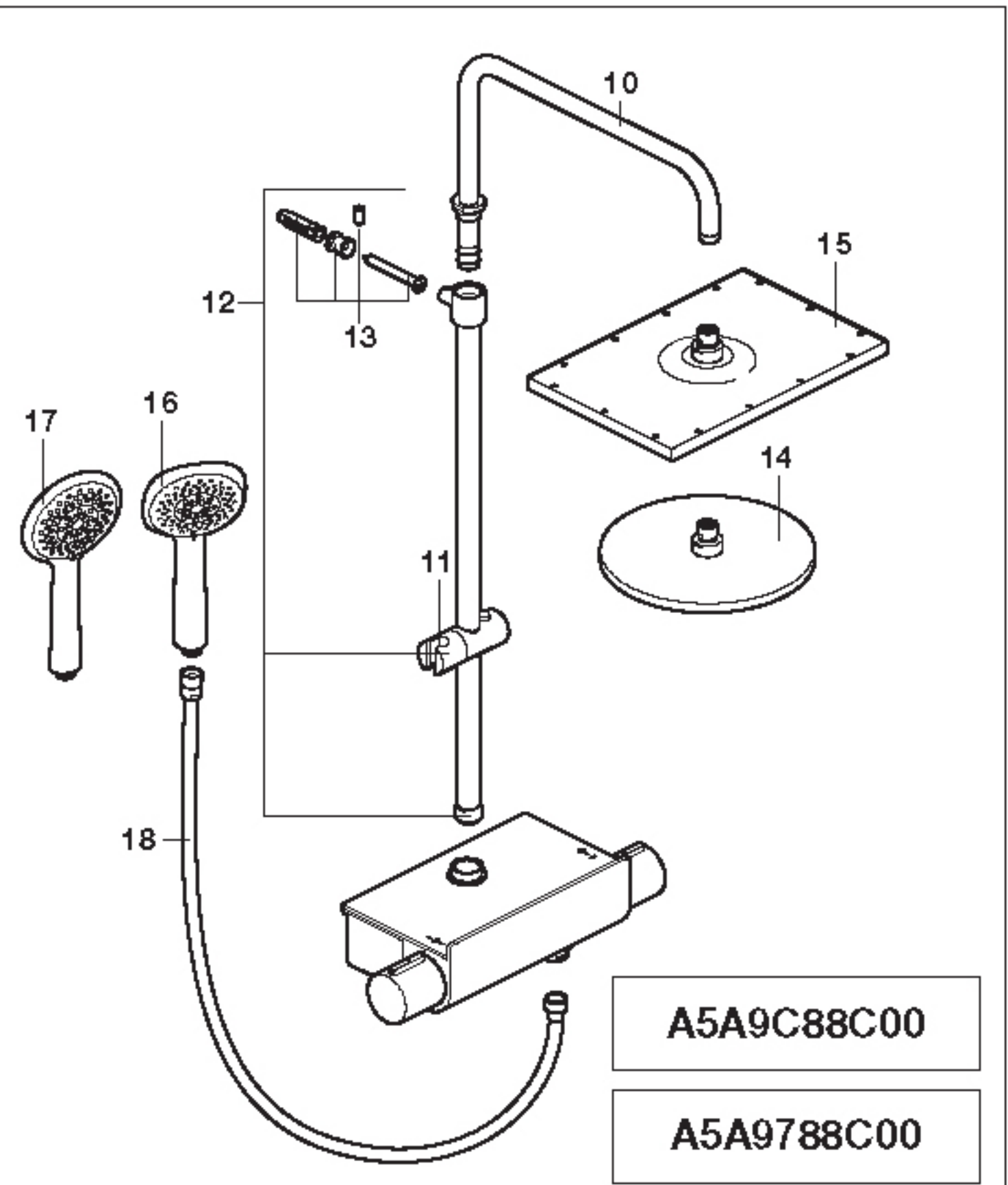
A5A2A88C00

A5A9C88C00

A5A9788C00

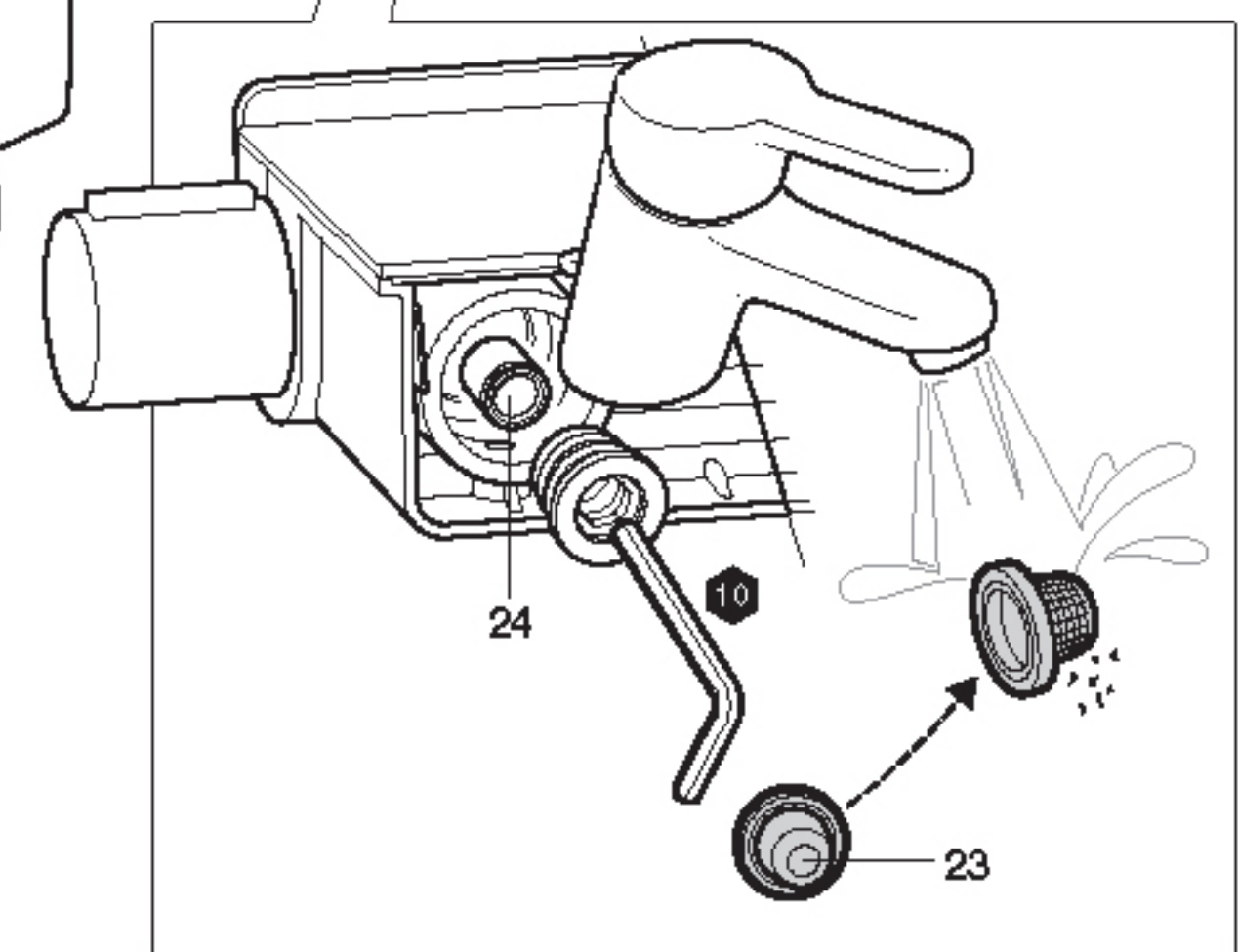
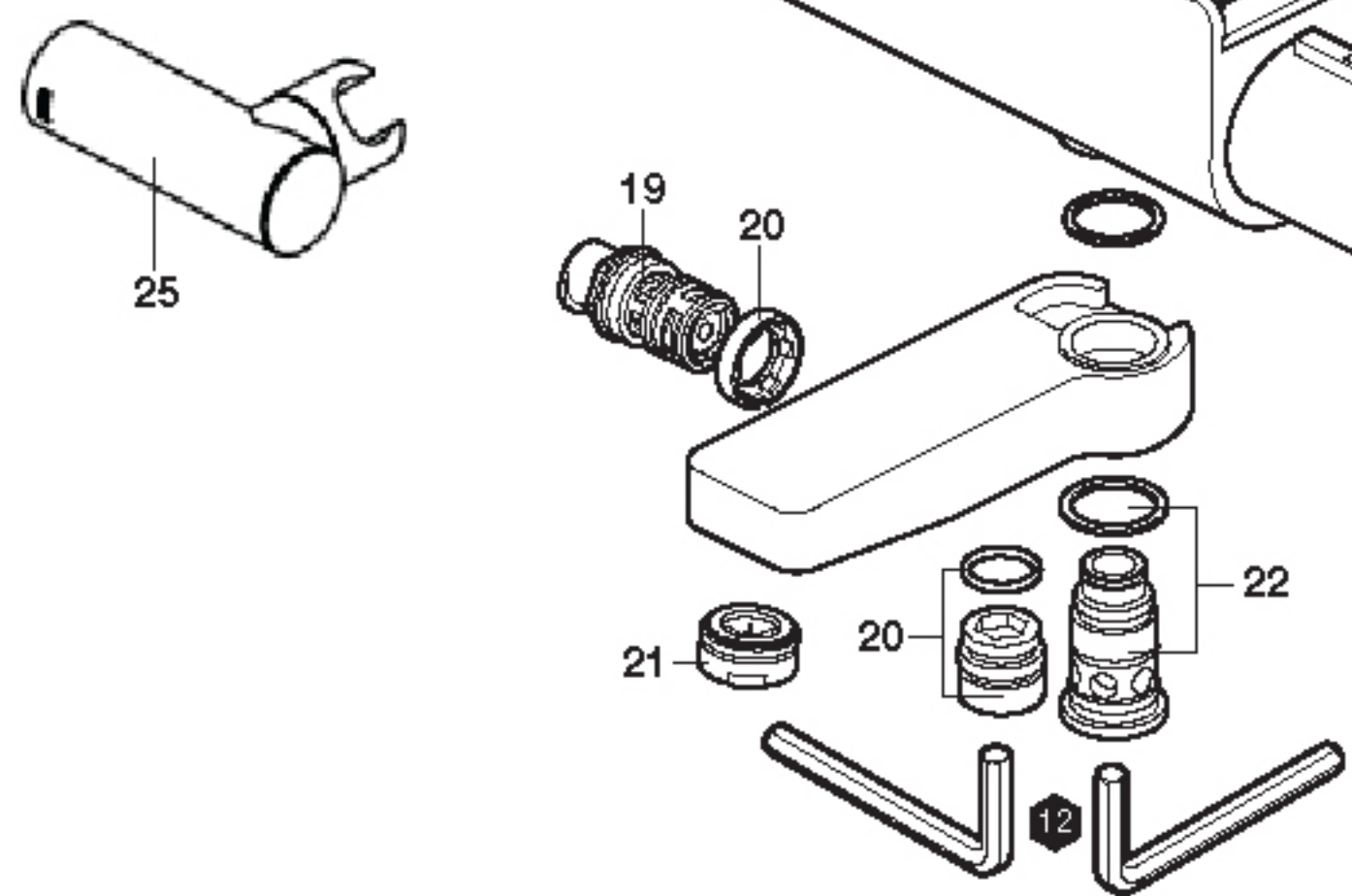
A5A1288C00

A5A1188C00



A5A9C88C00

A5A9788C00

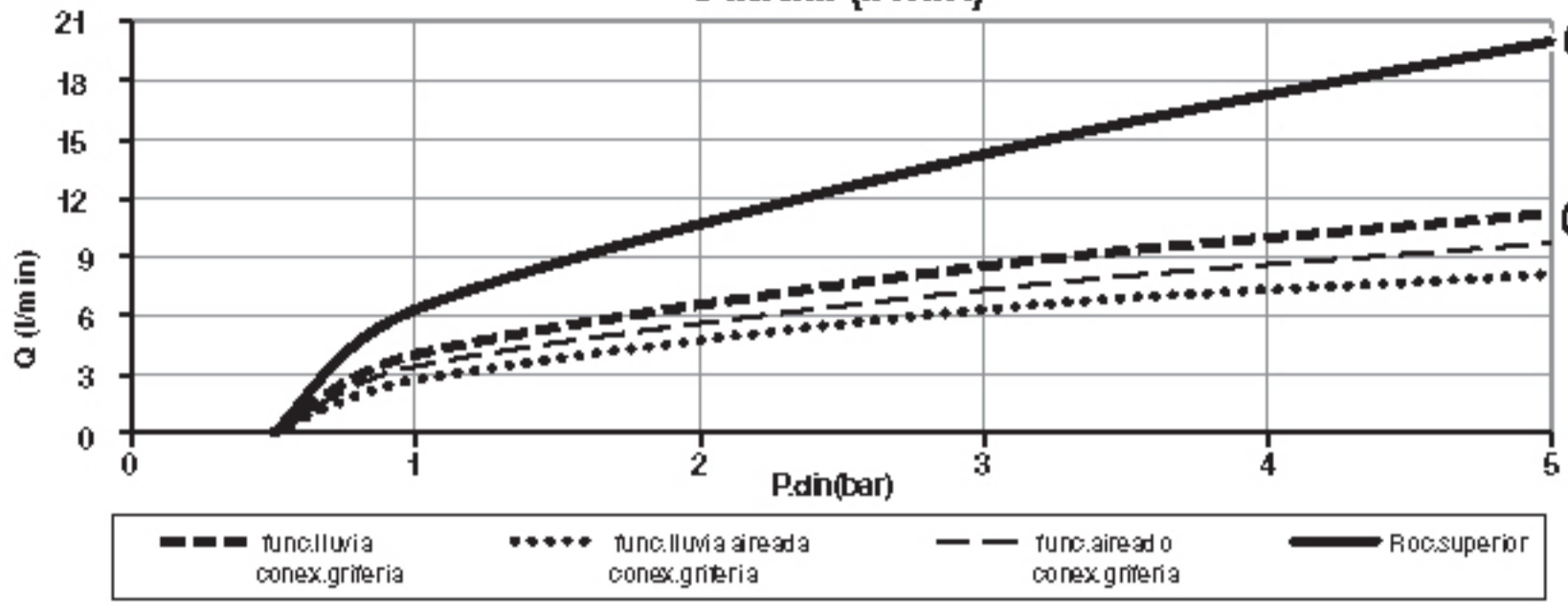


5



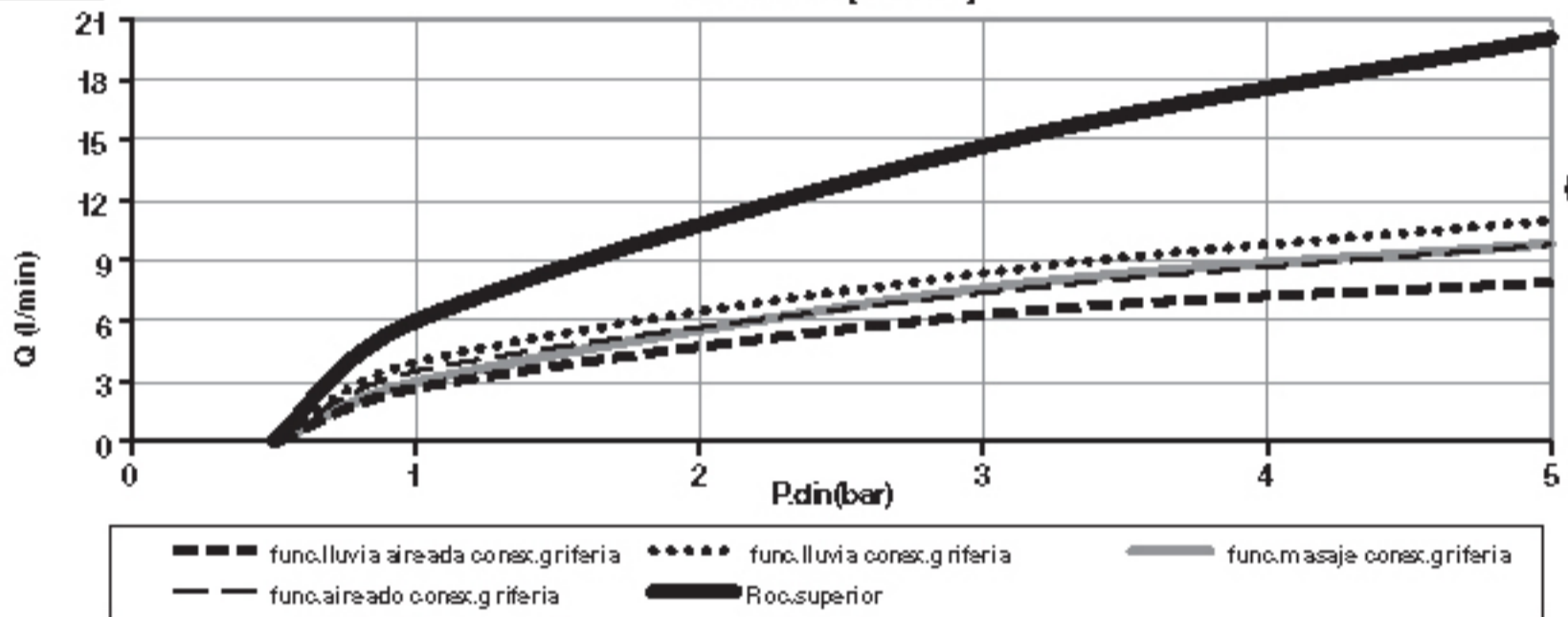
A5A9788C00

Caudal (l/min)



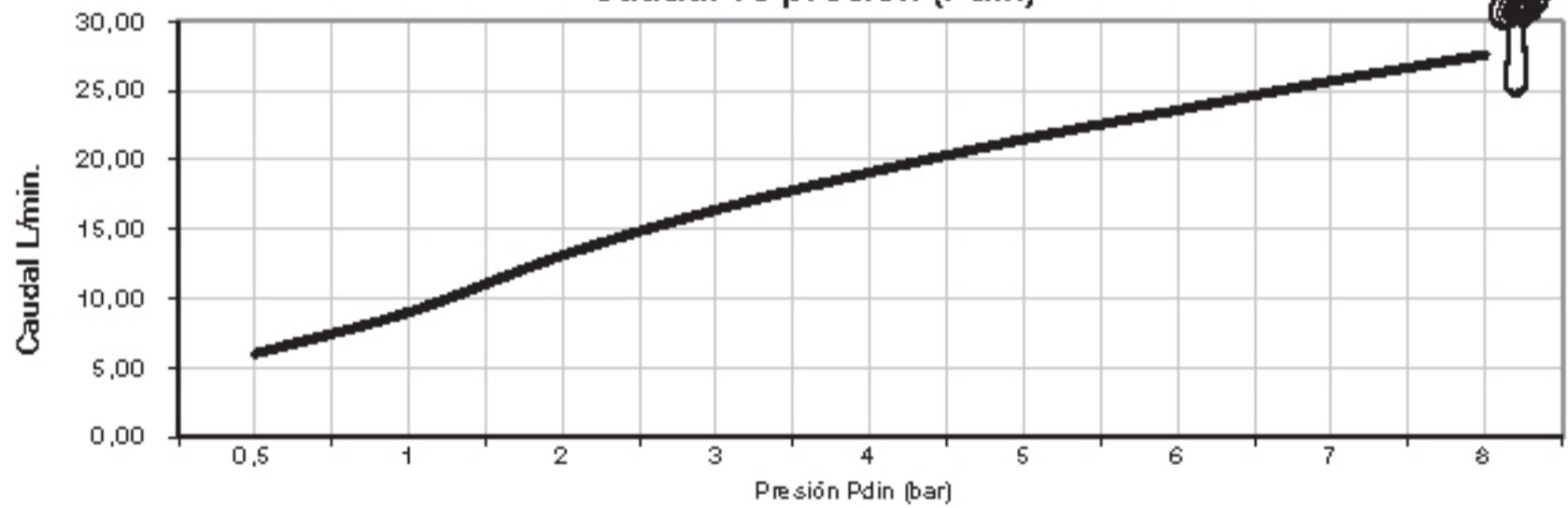
A5A9C88C00

Caudal (l/min)



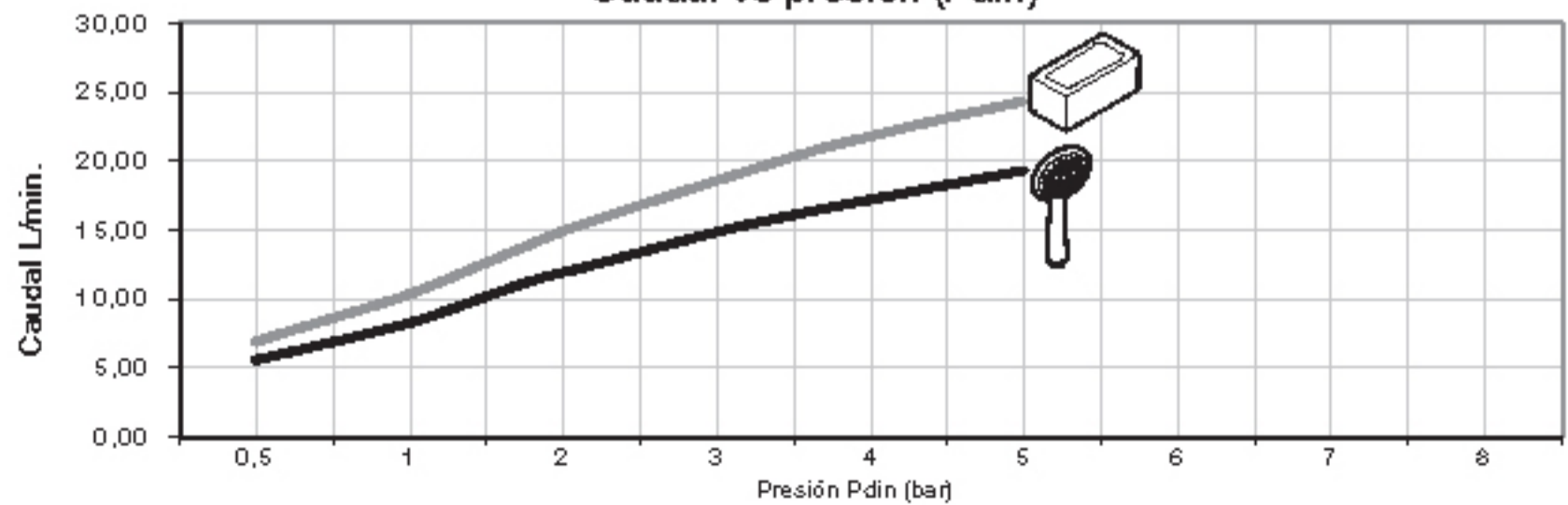
A5A9C88C00

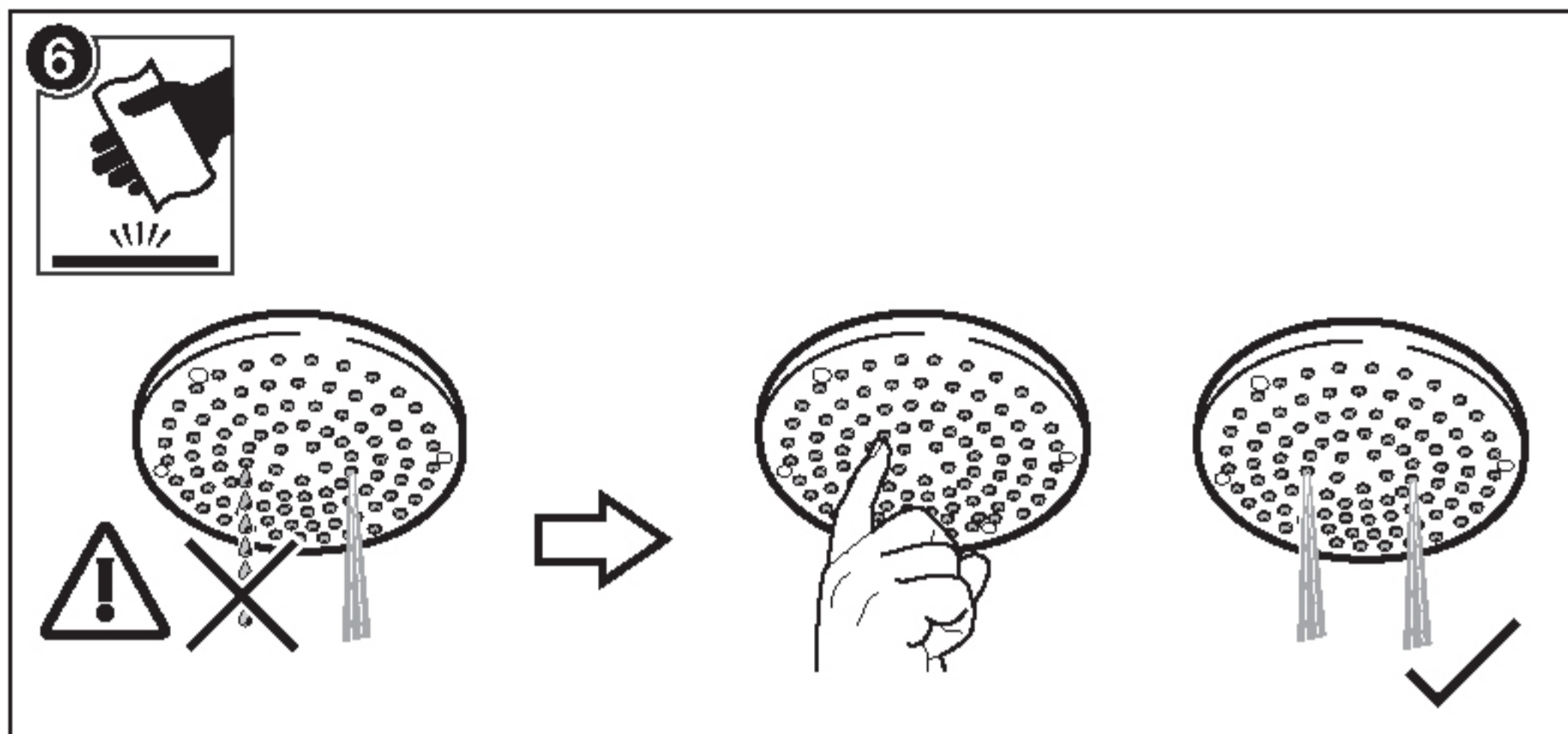
Caudal vs presión (Pdin)











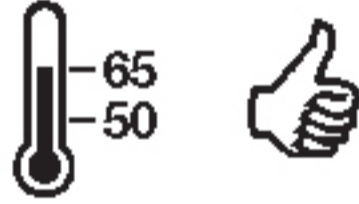

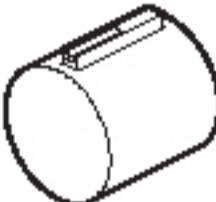


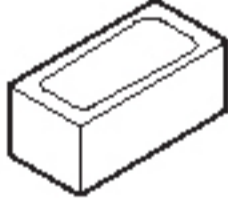


A5A1288C00

Caudal vs presión (Pdin)





 P 	P bar	 MAX. 10
 P 	P bar	 MIN. 0,5 MAX. 5  1 3 
 T	°C	 80 MAX. 45 MIN.  65 50 
 Q (3 bar)	l/min	 12   20
		P_↓ - P_↑ ≤ 2

1 - AG0132300R

2 - AG0091307R

3 - AG0160100R (B-SH)
- AG0160200R (SH)

4 - AG0131603R

5 - AG0172900R

6 - A525017203

7 - A525016609

8 - AG0118703R

9 - AG0151300R

10 - AG0082400R

11 - AG0087600R

12 - AG0120300R

13 - AG0119003R

14 - A5B2250C00

15 - A5B3050C00

16 - A5B1108C00

17 - A5B1107C00

18 - A525009900

19 - A525023600

20 - A525024200

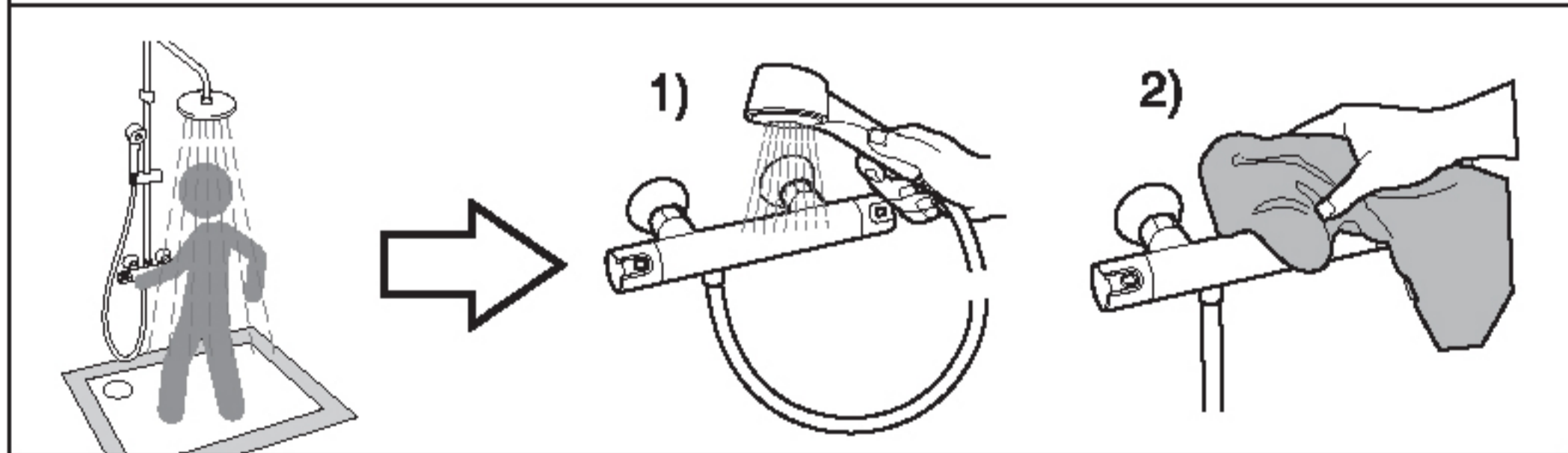
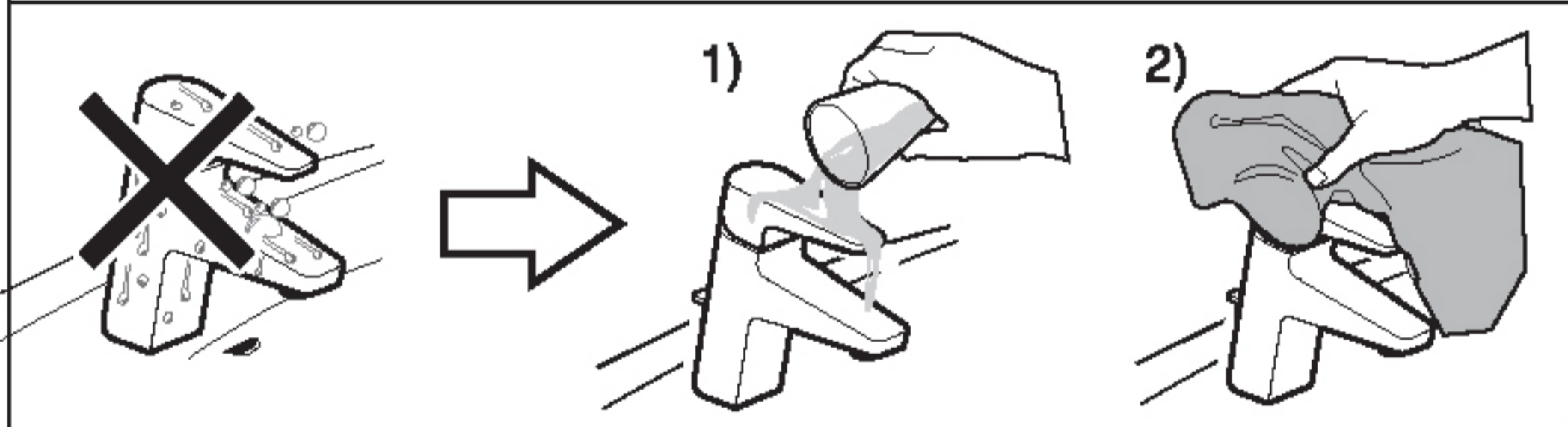
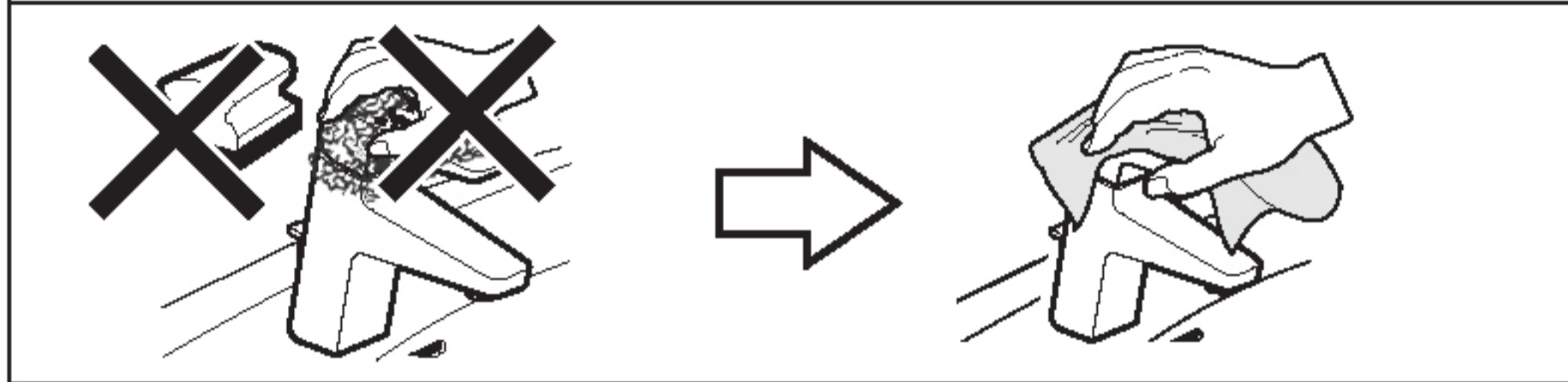
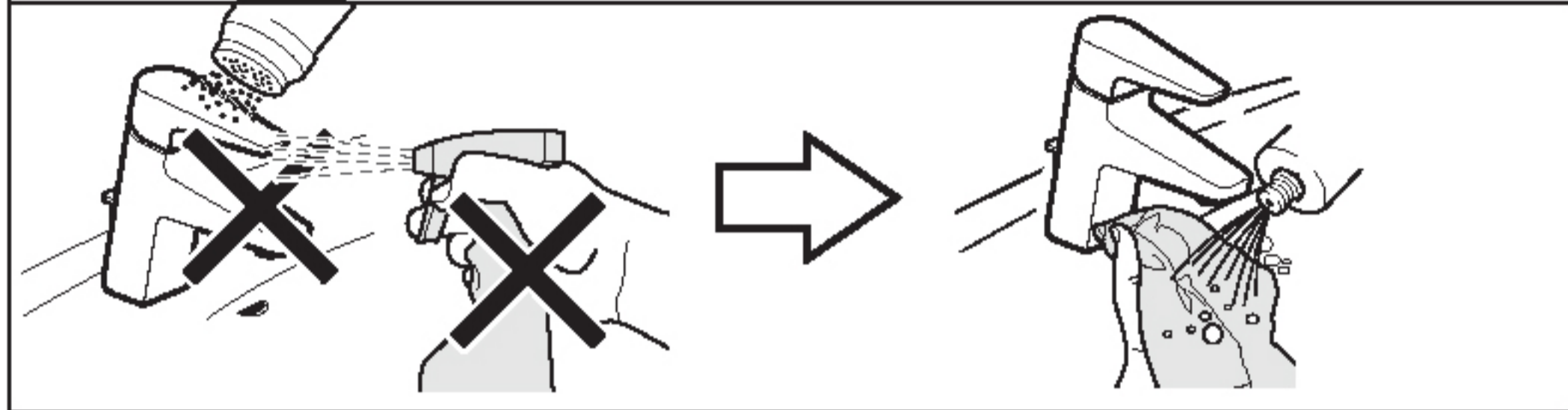
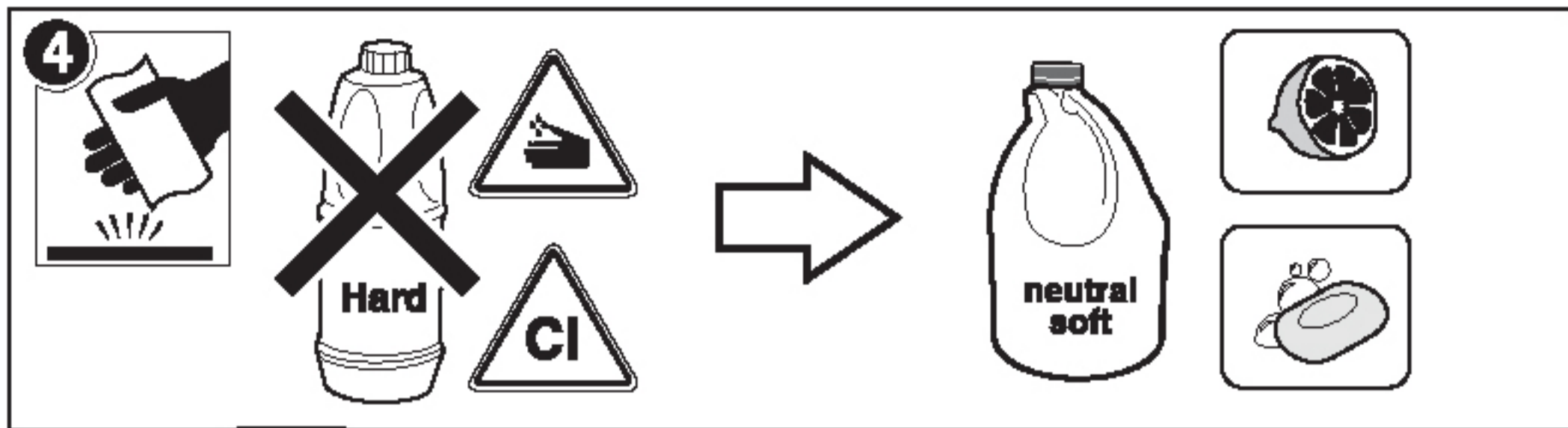
21 - AG0029400R

22 - AG0192500R

23 - AG0192600R

24 - AG0026307R

25 - AG0068500R



A523094807h



Roca Sanitario, S.A.
 Avda. Diagonal, 513
 08029 Barcelona
 SPAIN
 www.roca.com


 productsupport.rs@roca.net
 soporteproducto.rs@roca.net