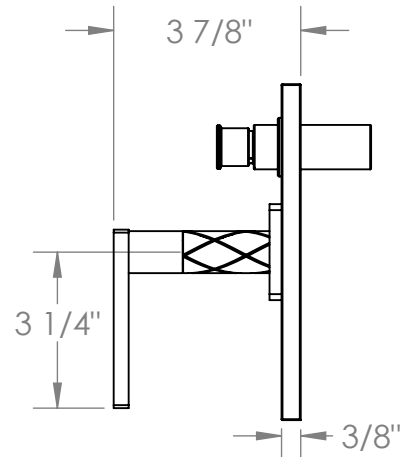
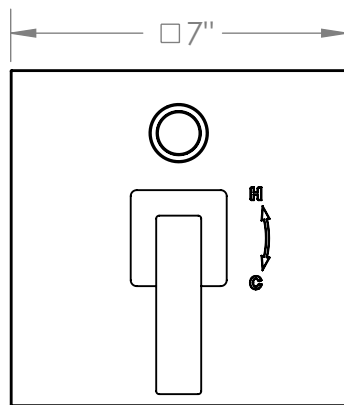
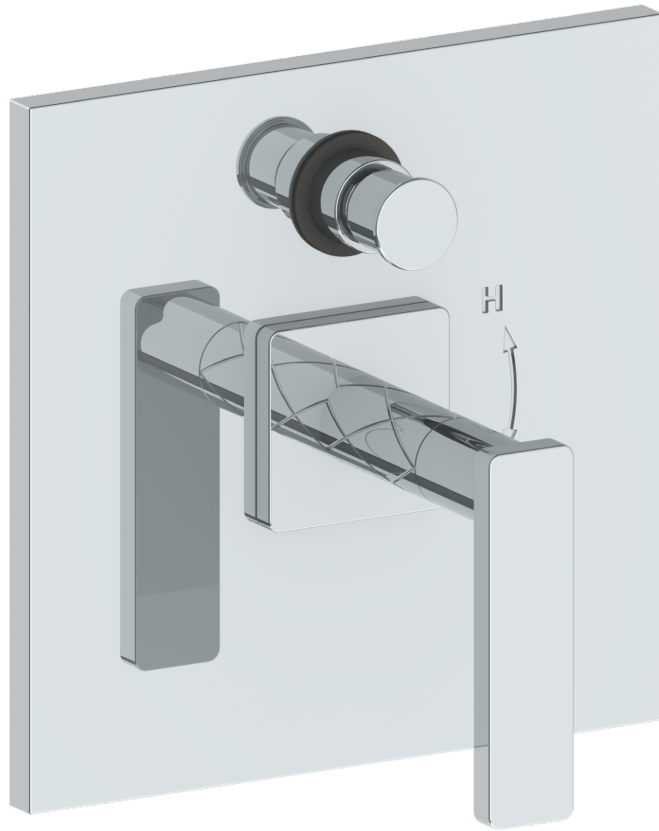


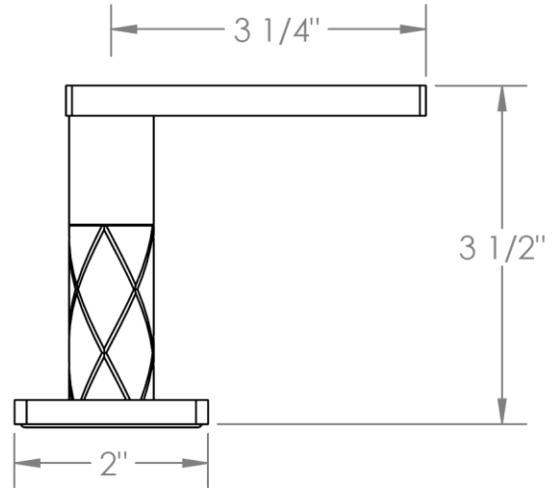
**71-P90-**  
Pressure Balance Shower Trim  
For use with SS-PB85 pressure balance valve



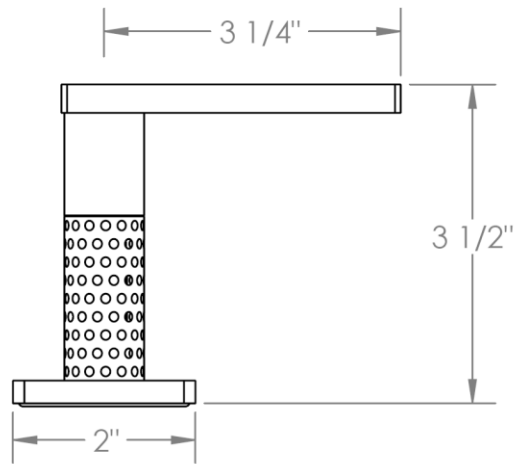
Meets the applicable requirements of ASME A112.18.1-2005/CSA B125.1-05, entitled "Plumbing Supply Fittings"

Handle Trim Options

LLD4



LLP5



LLO6

