



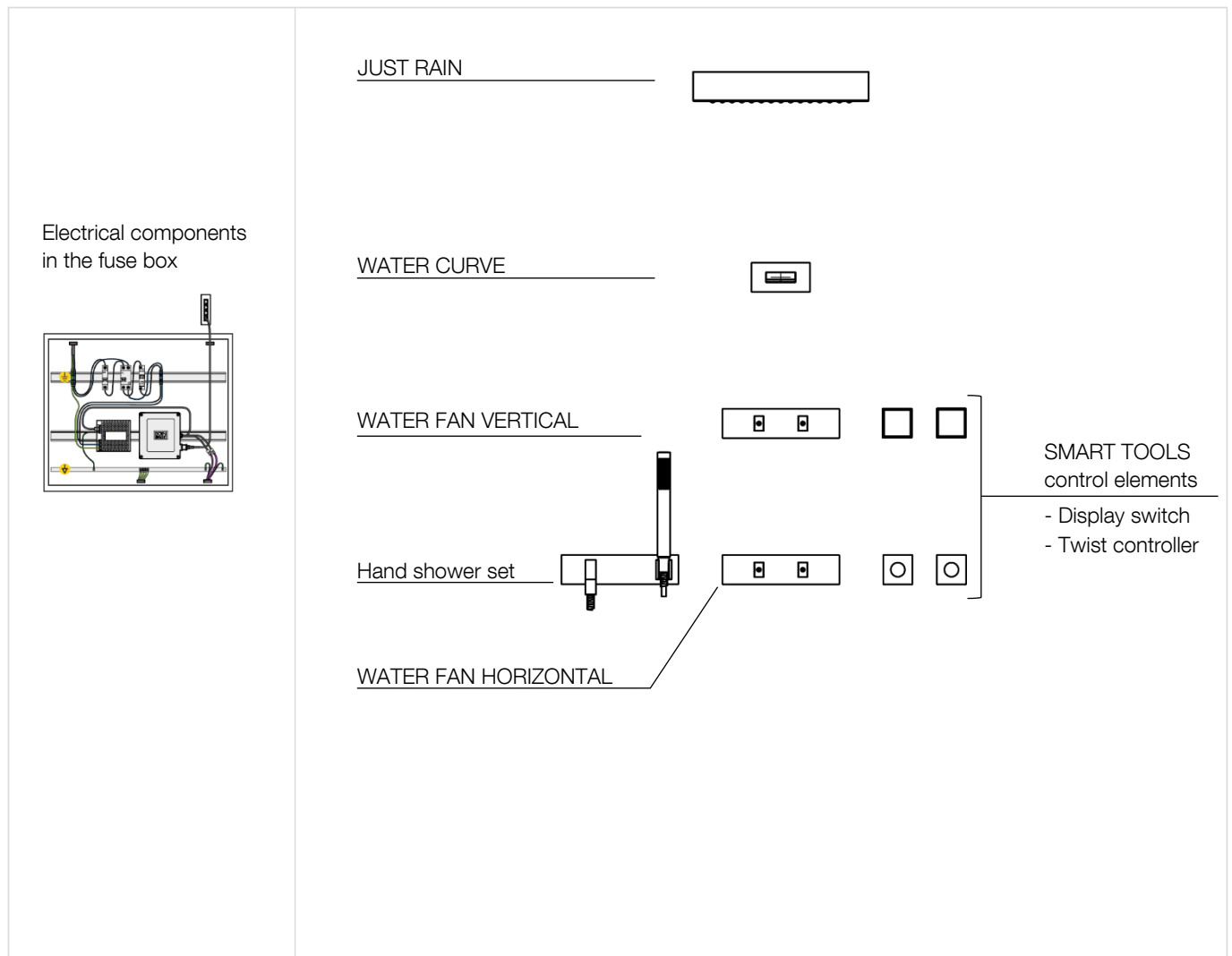
Dornbracht

Vertical Shower^{ATT}

Planning Guide

- 02 Introduction
- 06 Planning
- 14 Installation
- 21 Product details
- 30 Addresses

Exposed trim components 1



Electrical components supplied (in the fuse box)

- 1 x power supply unit 100 – 240 V AC / 12 V DC, 4 A
- 1 x Motherboard Box
- 1 x Ethernet cable (CAT 7)

Additional components supplied but not shown:

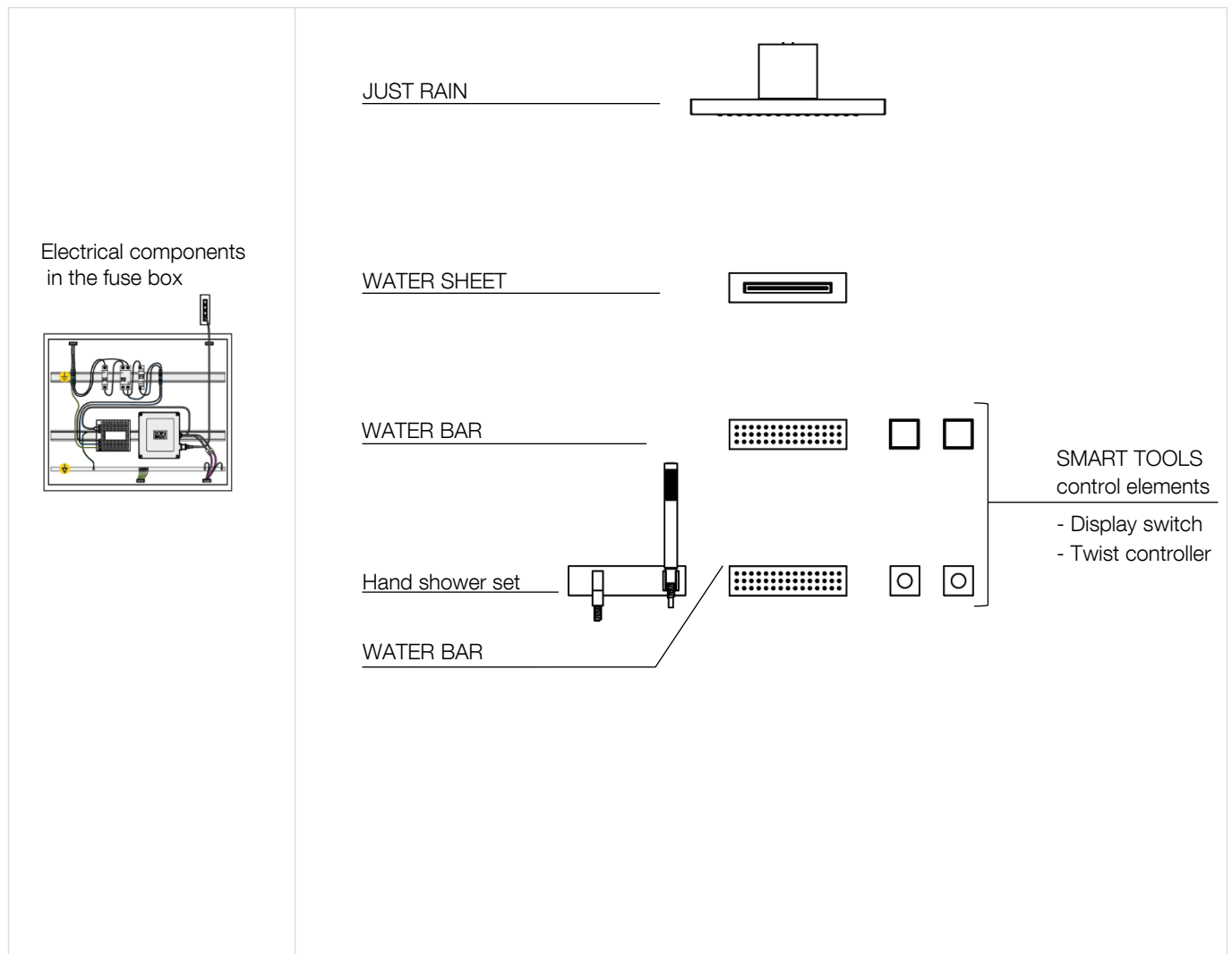
- 5 x eVALVE

It is obligatory for technical planning, installation and initial commissioning to be accompanied by a certified service partner and by booking a Dornbracht service package.

Detailed information on the service package can be found at www.dornbracht-professional.com.

Installation of the water pipes and electrical cables must be planned.

Exposed trim components 2



Electrical components supplied (in the fuse box)

- 1 x Power supply unit 100 – 240 V AC / 12 V DC, 4 A
- 1 x Motherboard Box
- 1 x Ethernet cable (CAT 7)

Additional components supplied but not shown:

- 5 x eVALVE

INTRODUCTION

Planning

Installation

Product details

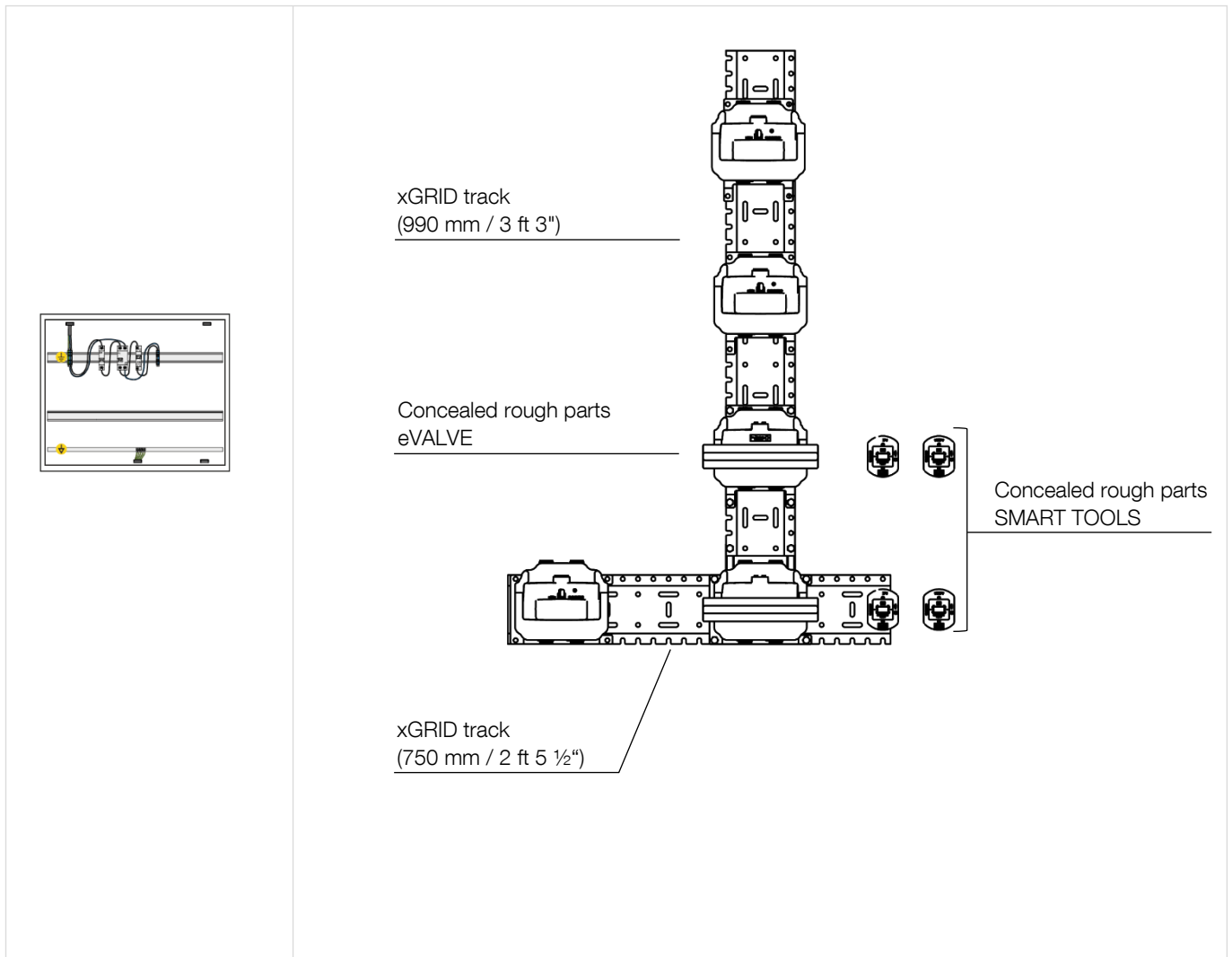
Addresses

COMPONENTS

Exposed trim components

CONCEALED ROUGH ...

Concealed rough components 1



Additional components supplied but not shown:

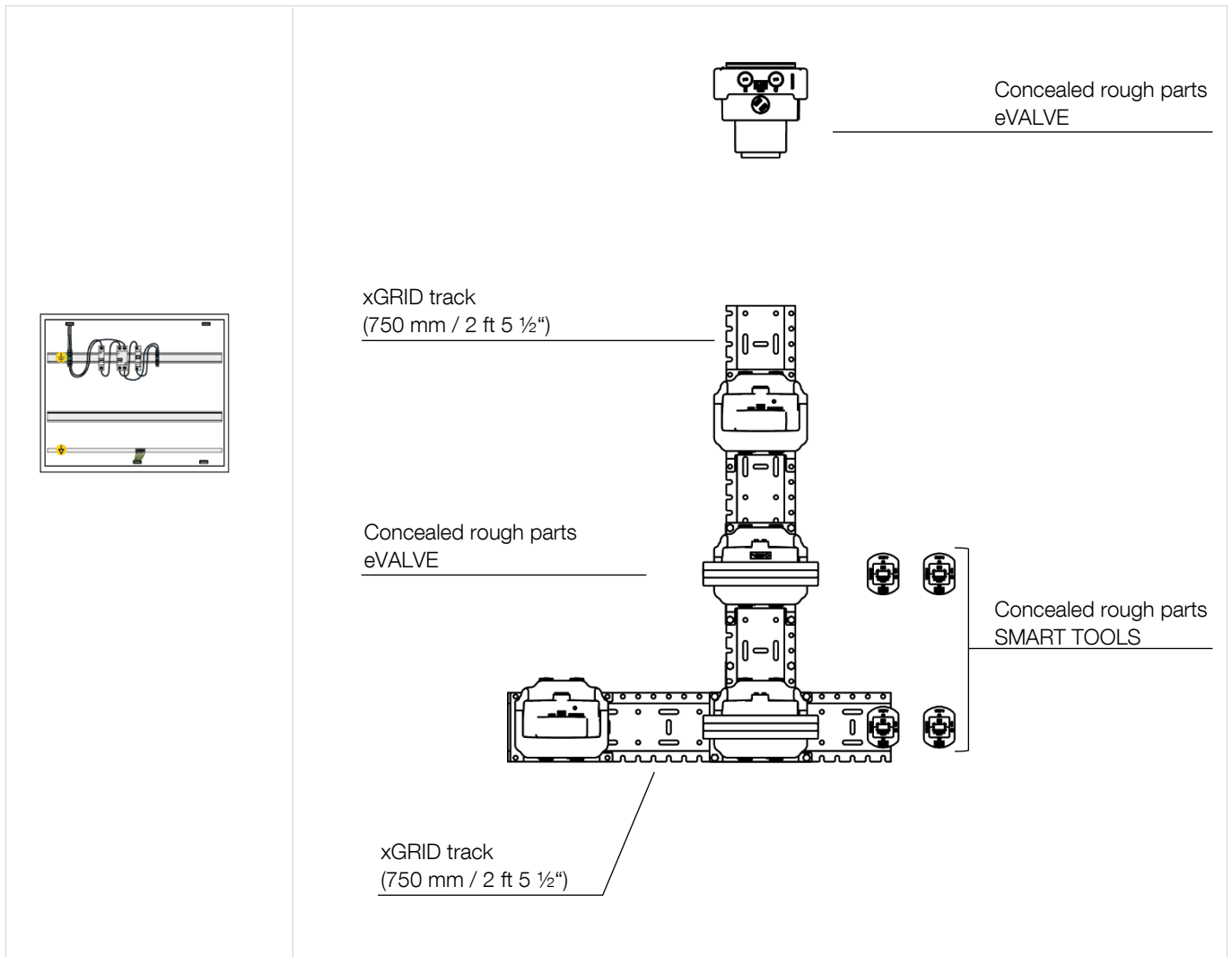
Electrical components

- 5 x equipotential bonding cable (4 mm² / AWG 11)
- 9 x VBUS cable

Plumbing components

- 2 x stop valve (DN 20)
- 2 x dirt trap (DN 20)

Concealed rough components 2



Additional components supplied but not shown:

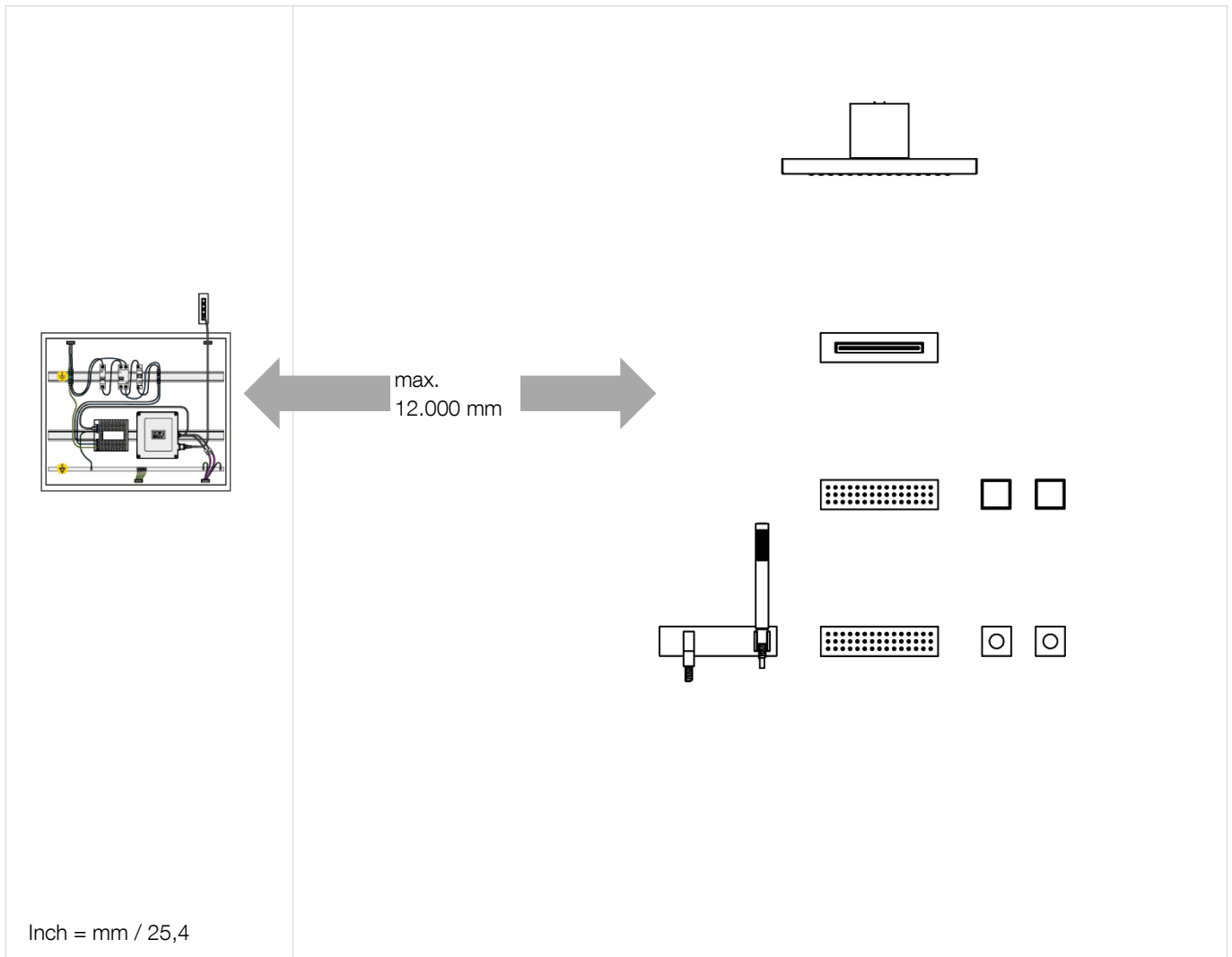
Electrical components

- 5 x equipotential bonding cable (4 mm² / AWG 11)
- 9 x VBUS cable

Plumbing components

- 2 x stop valve (DN 20)
- 2 x dirt trap (DN 20)

Positioning



Observe the regulations for protection zones according to DIN VDE 0100, Part 701 (IEC 60364-7-701).

Fuse box with electrical components

- 12,000 mm / 39 ft 4-3/8" maximum distance to the VERTICAL SHOWER^{ATT}
- outside the wet zone
- accessible for inspection
- 5 – 35 °C / 41 – 95 °F ambient temperature

Pre-wall system

The recess depths required for SMART TOOLS control elements, WATER CURVE / WATER SHEET, 2 x WATER FAN / 2 x WATER BAR, complete hand shower set and JUST RAIN make it essential to have a pre-wall system at the wall (and ceiling, if applicable).

The proper execution of the pre-wall installation, can ensure compliance with soundproofing, heat insulation and fire protection standards.

Pre-wall installation systems are available from various suppliers (e.g. Geberit, Tece, Viega, etc.).

Pre-wall installations can also be implemented with C-profiles (e.g. Knauf, Rigips Saint-Gobain, Sheetrock, Siniat, etc.).

Wood can also be used, unless this contravenes the regulations of the country concerned.

Note the recess depths of the components.

The SMART TOOLS control elements concealed rough parts are fitted in the pre-wall panelling.

- 30 mm / 1-1/8" possible maximum thickness of the panelling for the SMART TOOLS control elements.
- 7 – 25 mm / 1/4" – 1" construction (tiles, natural stone, etc.), possible in front of the (plasterboard, etc.), panelling for the SMART TOOLS control elements.
- 1,650 mm / 5 ft 5" maximum height of the closed pre-wall, to allow the concealed rough parts of SMART TOOLS control elements and the VBUS cable to be fitted.

Operating conditions

Area of application

The product is not designed for outdoor use.

Dornbracht must be consulted before operating the device in a steam, chlorine or salt-laden atmosphere.

Water quality must be ensured by installing a filter or a water conditioning system.

Large differences in pressure between cold and hot water supply must be balanced.

Maximum permissible relative humidity (without condensation) 95 %

Permissible ambient temperature

JUST RAIN	5 – 40 °C /	41 – 104 °F
SMART TOOLS control elements	5 – 35 °C /	41 – 95 °F
Storage	5 – 35 °C /	41 – 95 °F

Store somewhere dust-free and dry.

Permissible operating temperatures

Measuring point: Concealed rough parts for eVALVE (affusion pipe)

Cold water temperature	5 – 20 °C /	41 – 68 °F
Recommended cold water temperature	15 °C /	59 °F
Hot water temperature	55 – 65 °C /	131 – 149 °F
Recommended hot water temperature	60 °C /	140 °F
Thermal disinfection (max. 10:00 mins.)	< 75 °C /	< 167 °F

Flow pressure

Measuring point: Concealed rough parts for eVALVE (affusion pipe)

Permissible flow pressure	250 – 400 kPa /	36 – 58 psi /	2.5 – 4 bar
Recommended flow pressure	300 kPa /	44 psi /	3 bar
Maximum difference in flow pressure between HW + CW	100 kPa /	14.5 psi /	1 bar
Recommended difference in flow pressure between HW + CW	≤ 50 kPa /	≤ 7 psi /	≤ 0.5 bar

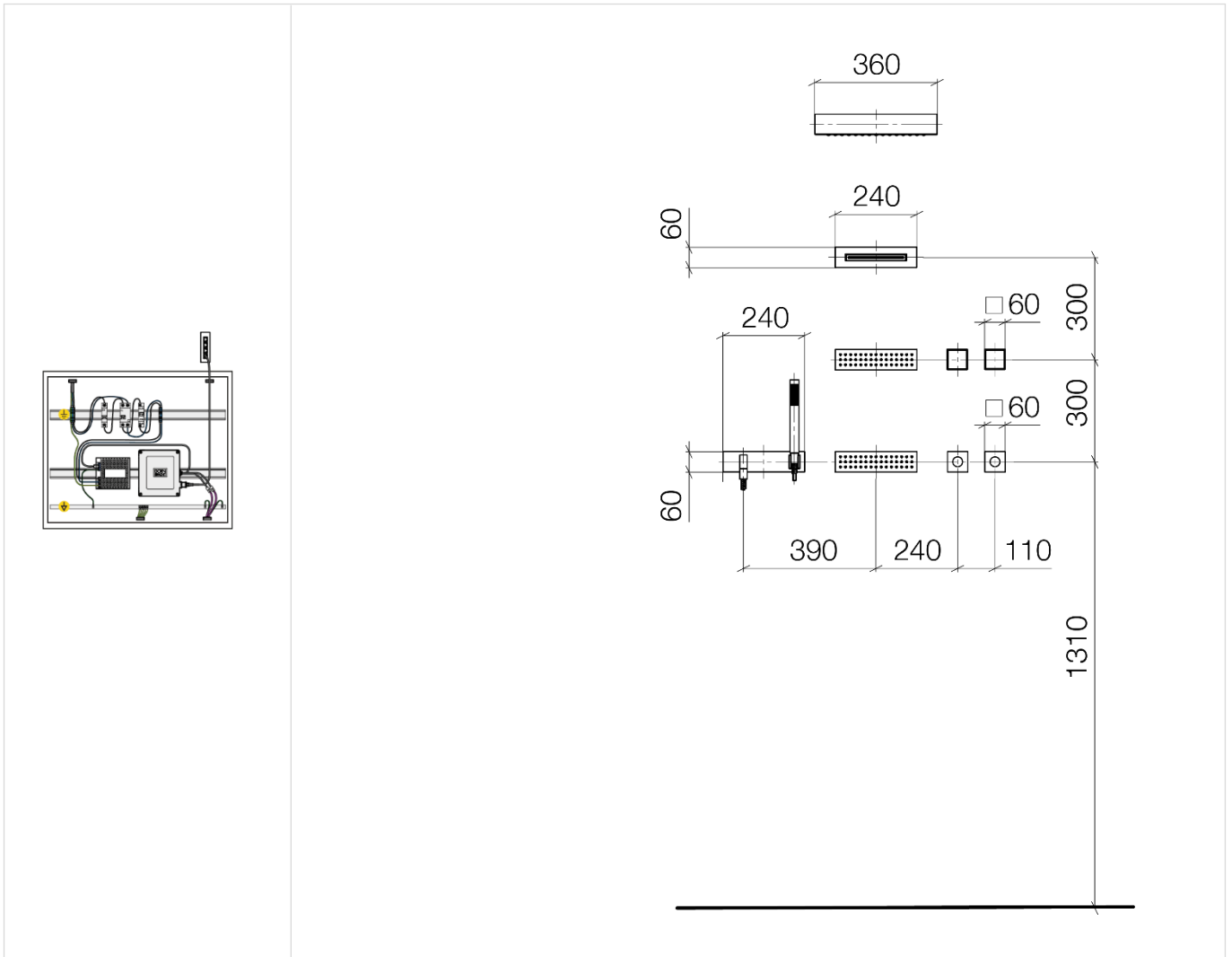
Fit a speed-controlled pressure booster in the main pipe, if necessary.

Water hardness

Recommended water hardness 6 – 7 °dH / 107 – 125 ppm CaCO₃ / 7.5 – 8.8 °e / 10.7 – 12.5 °fH

Fit a water softener into the main pipe, if necessary. The reduction in pressure caused by the water softener must be taken into account.

Dimensions 1

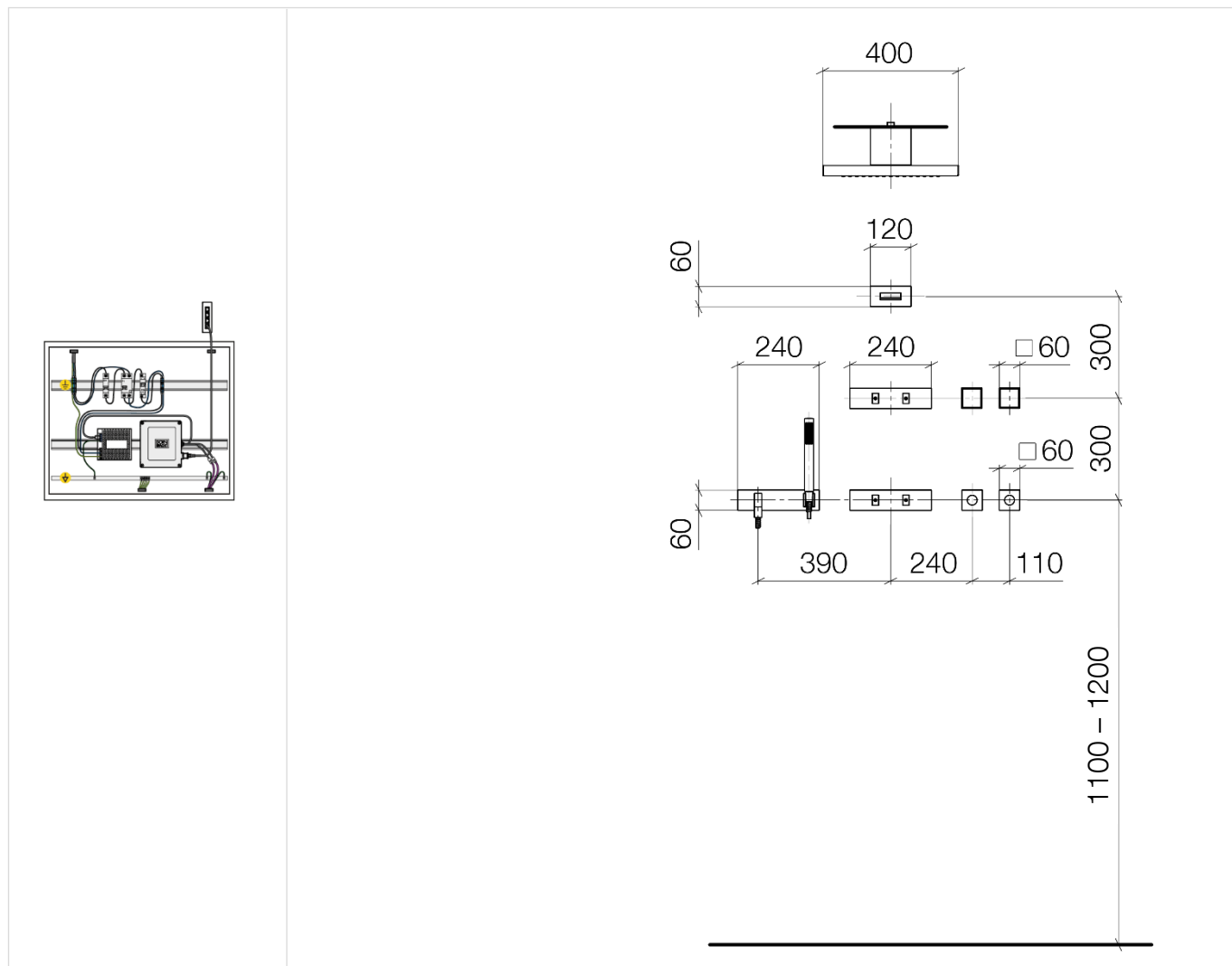


- 300 mm / 11-3/4" minimum concealed rough parts distance (centre / centre) for WATER CURVE / WATER SHEET, 2 x WATER FAN / 2 x WATER BAR and JUST RAIN, if applicable
- 90 mm / 3-1/2" minimum horizontal and/or vertical distance (centre / centre) for SMART TOOLS control elements
- The distance must never be less than this!-

- 400 mm / 1 ft 3-5/8" recommended minimum distance between JUST RAIN and the user
- 1,310 mm / 4 ft 3-5/8" recommended height difference between the top edge of the finished floor (TEFF) and the complete hand shower set for a person who is 1,750 mm / 5 ft 9" tall

The positions and dimensions can be adapted to meet individual needs.

Dimensions 2



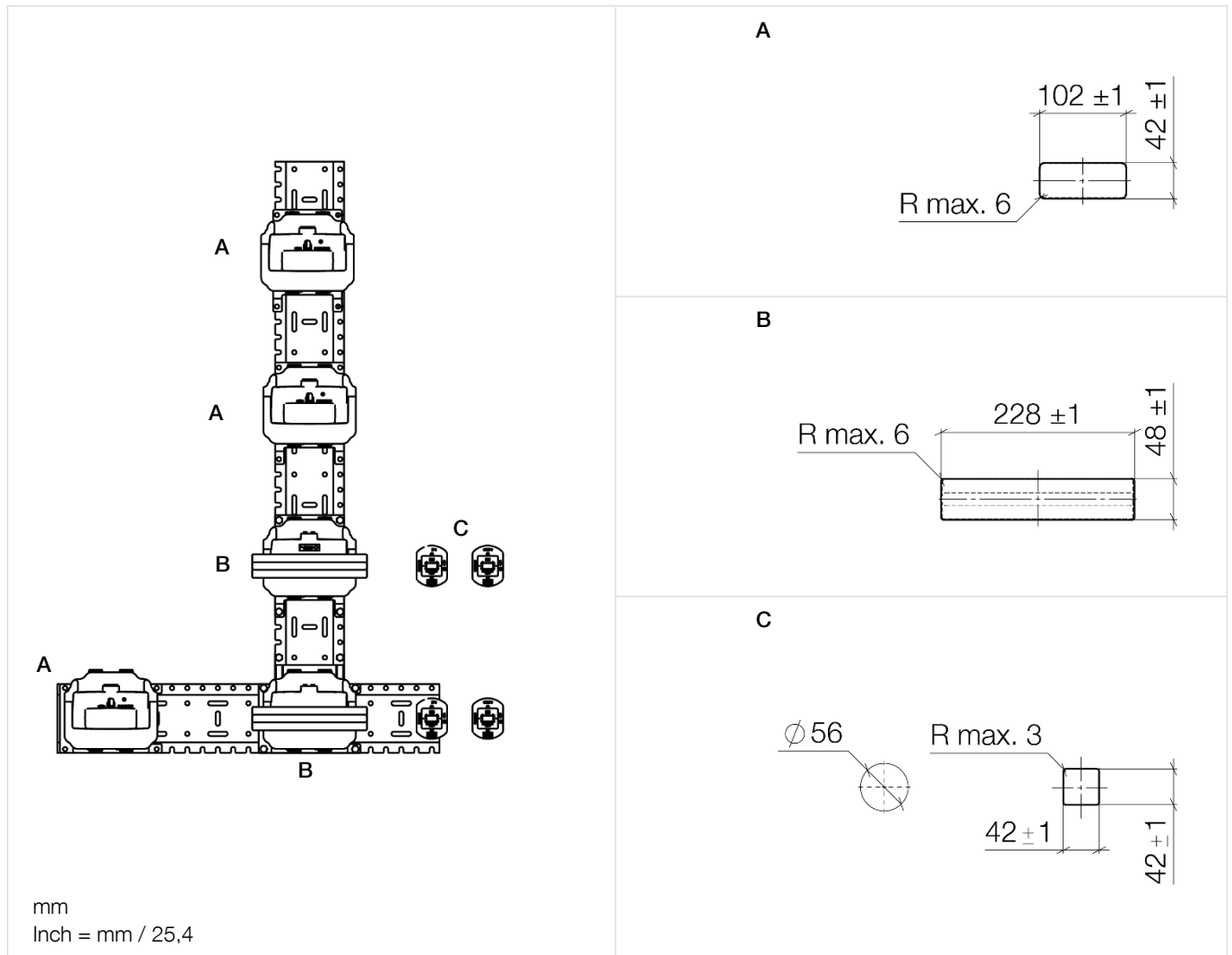
JUST RAIN with wall connection / ceiling connection,
 WATER CURVE, WATER FAN

⚠ The VERTICAL SHOWER^{ATT} with WATER CURVE and WATER FAN must only be used by persons to whose height the WATER CURVE and WATER FAN can be adjusted.

The dimensions stated for the WATER CURVE and WATER FAN apply to users who are between 1,650 – 1,950 mm / 5 ft 5" – 6 ft 4-3/4" tall.

So it may be necessary to adapt the construction.

Cutouts



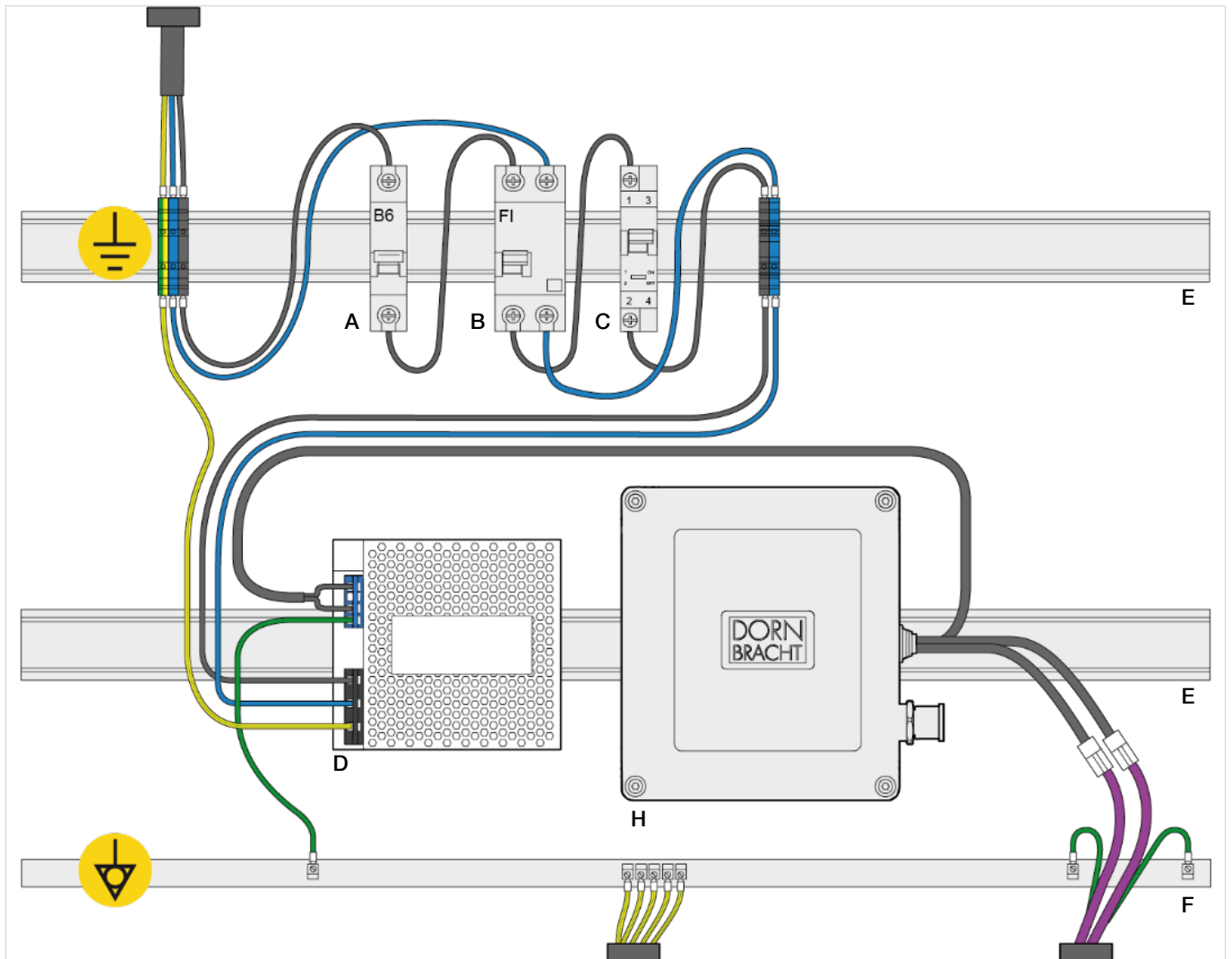
- A** – JUST RAIN / WATER SHEET / Hand shower set
- B** – WATER BAR / WATER FAN
- C** – SMART TOOLS control elements

[!] The concealed rough parts for eVALVES and SMART TOOLS, as well as the VBUS cable must be fitted and tested before the pre-wall is closed.

For the SMART TOOLS control elements:

- Ø 56 mm / Ø 2-1/4" drilled hole in the panelling for the concealed rough parts
- 42 ± 1 mm x 42 ± 1 mm / 1-5/8" x 1-5/8" cutout in the wall construction (tiles, natural stone, etc.)

Fuse box



Space required for electrical components in the fuse box:
 min. 500 x 500 x 150 mm / 1 ft 7-3/4" x 1 ft 7-3/4" x 6" (inside).

Electrical components (scope of supply)

D – Power supply unit 100 – 240 V AC / 12 V DC, 5 A

H – Motherboard Box

The following circuit breakers and electrical components are to be provided by the customer:

A – Safety cut-out (6 A, type B)

B – Ground fault circuit interrupter (30 mA, 2-pin, type A)

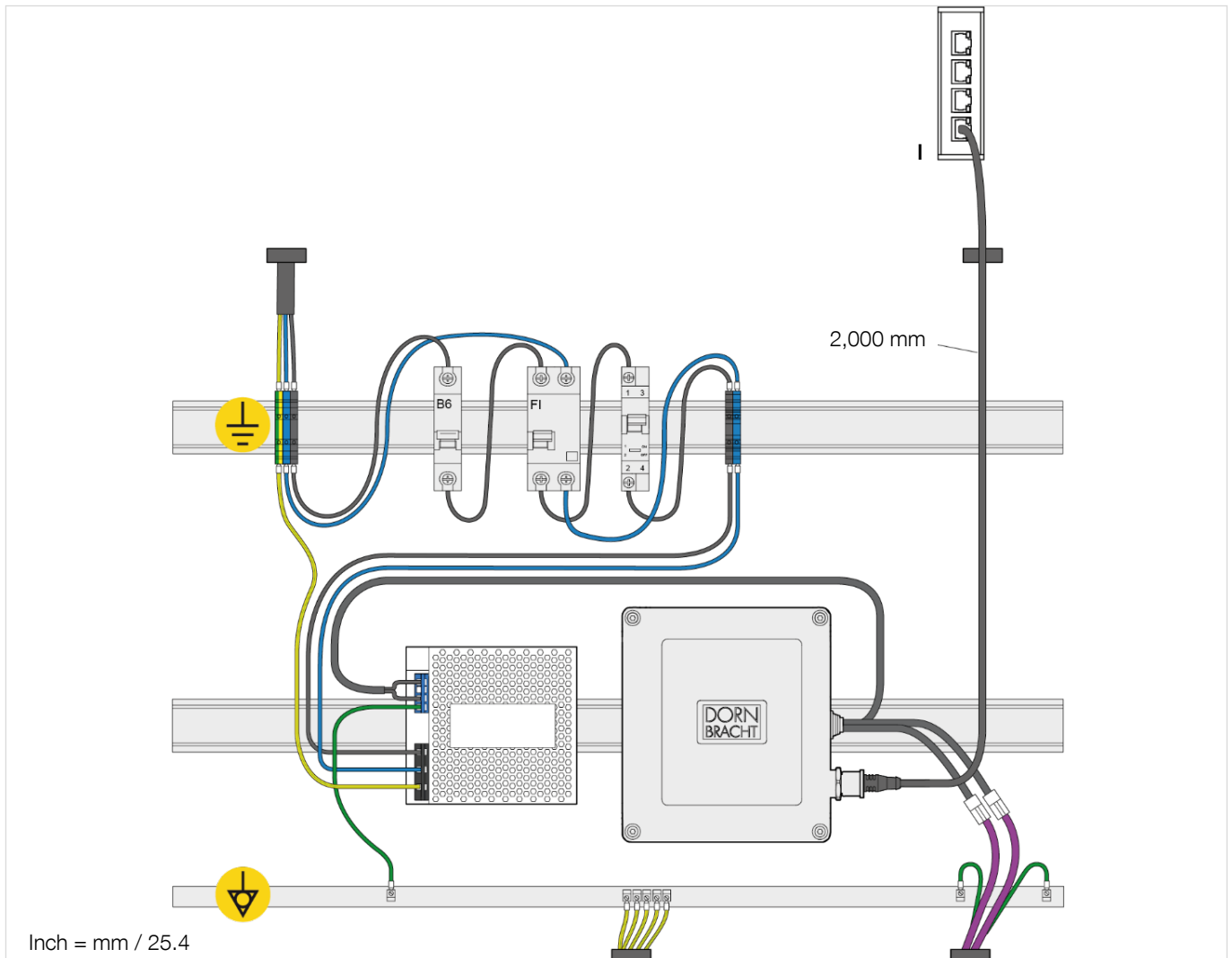
C – 1 x Circuit-breaker switch (16 A)

E – 2 x Rail mounting TS 35

F – Equipotential bonding rail

The equipotential bonding rail must be connected to the main earthing bar.

Network connection



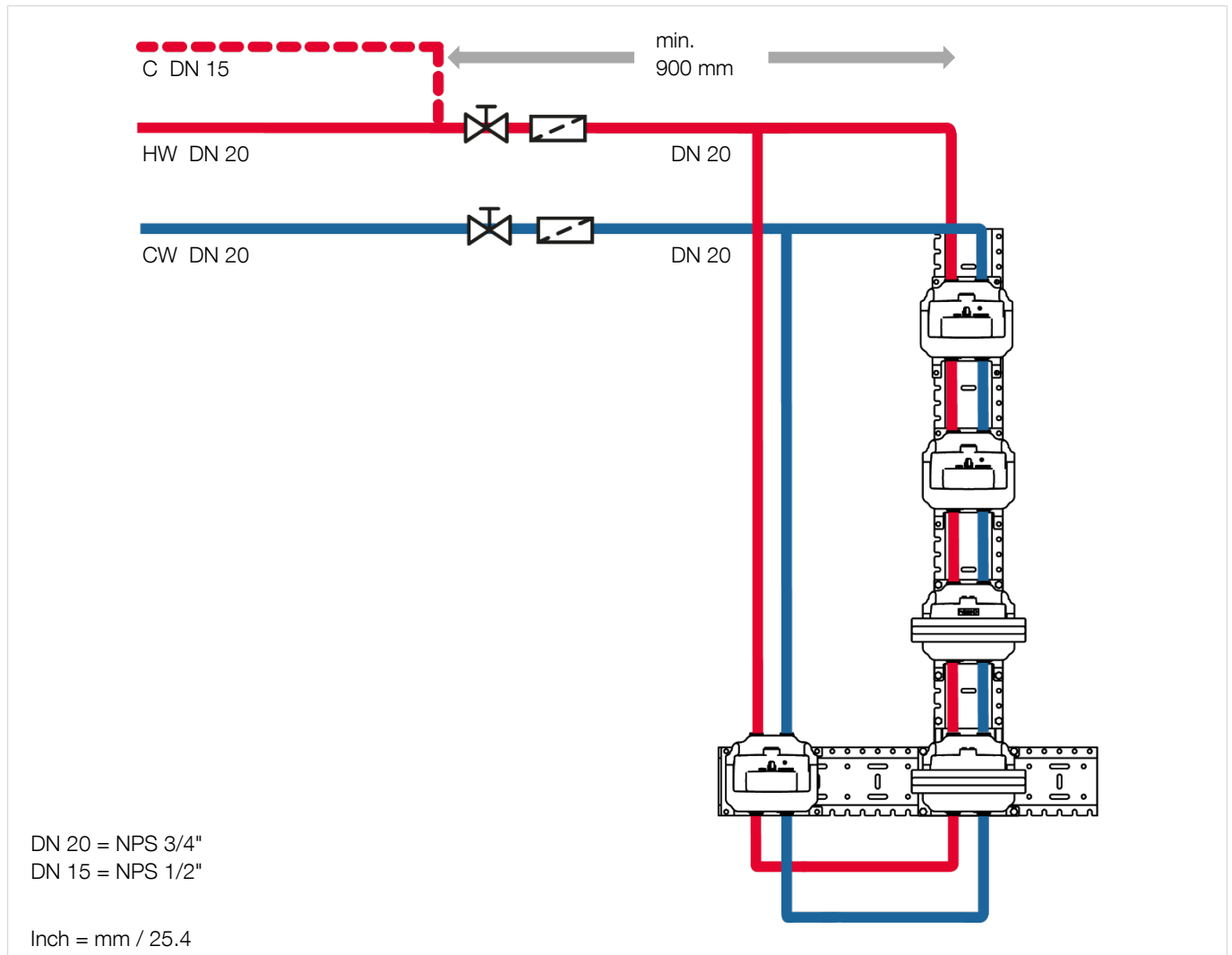
The network connection allows:

- Operation from a mobile device (SMART WATER APP)
- Integration in Smart Home systems (Open Interface)
- Connection to other media (e.g. light and sound systems)

Dornbracht recommends consulting a system integrator.

I – A network socket (I) wired in accordance with TIA 568A is required to connect the VERTICAL SHOWER^{ATT} device to a network. The local network must reside behind a router protected by a firewall.

Standard installation



Required nominal diameter (DN) for pipes and fittings:

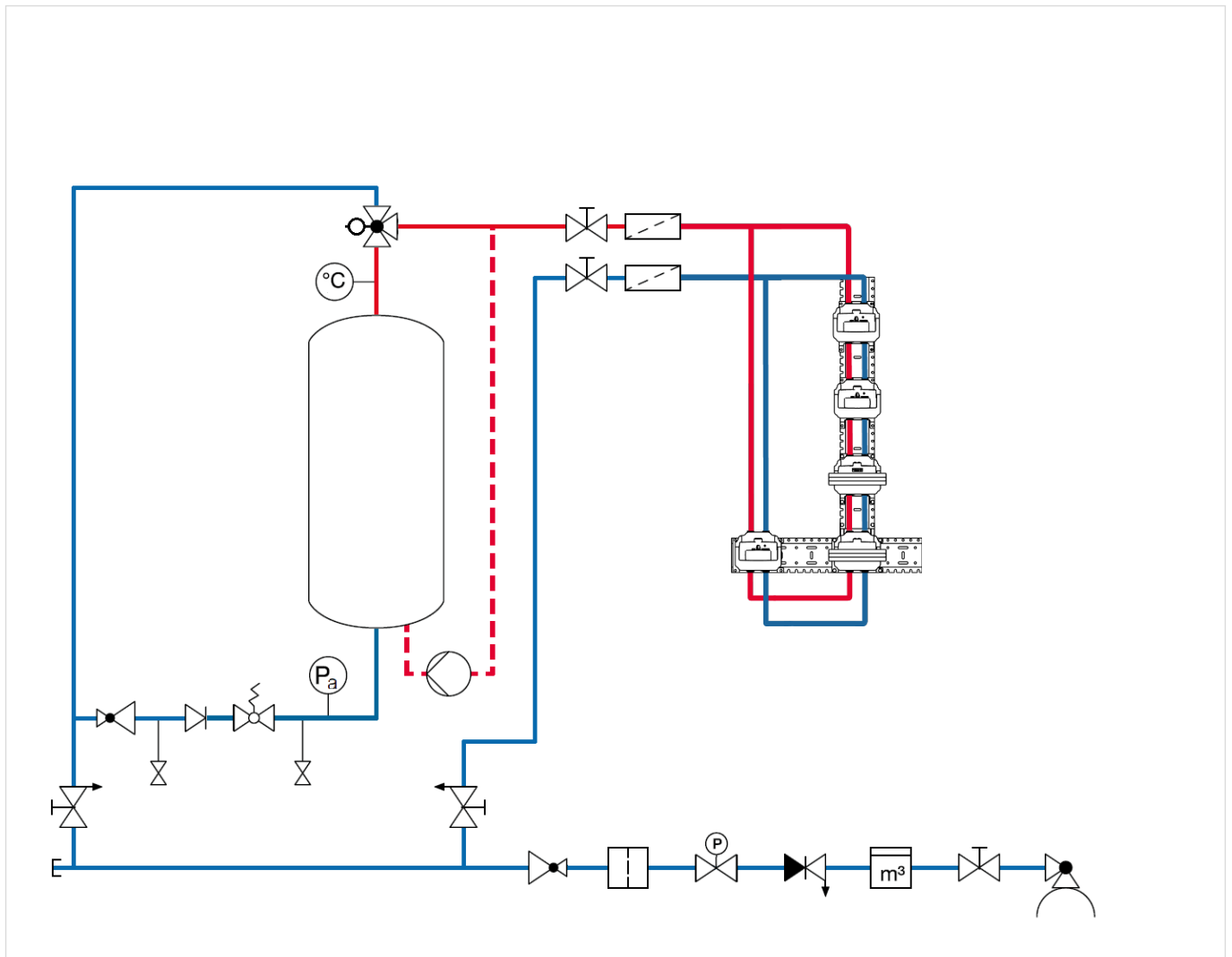
- DN 20 – hot and cold water pipe (HW + CW)
- DN 20 – ring main (loop)
- DN 15 – circulation line (C)

- 900 mm / 2 ft 11-3/8" minimum distance between the circulation pipe connection (C) and the first eVALVE of the VERTICAL SHOWER^{ATT}

The following components for the hot and cold water pipe (WW + KW) must be positioned so that access is possible at all times (accessible for inspection):

- 2 x stop valve (DN 20)
- 2 x dirt trap (DN 20)

Schematic diagram



Typical installation under EN 1717.

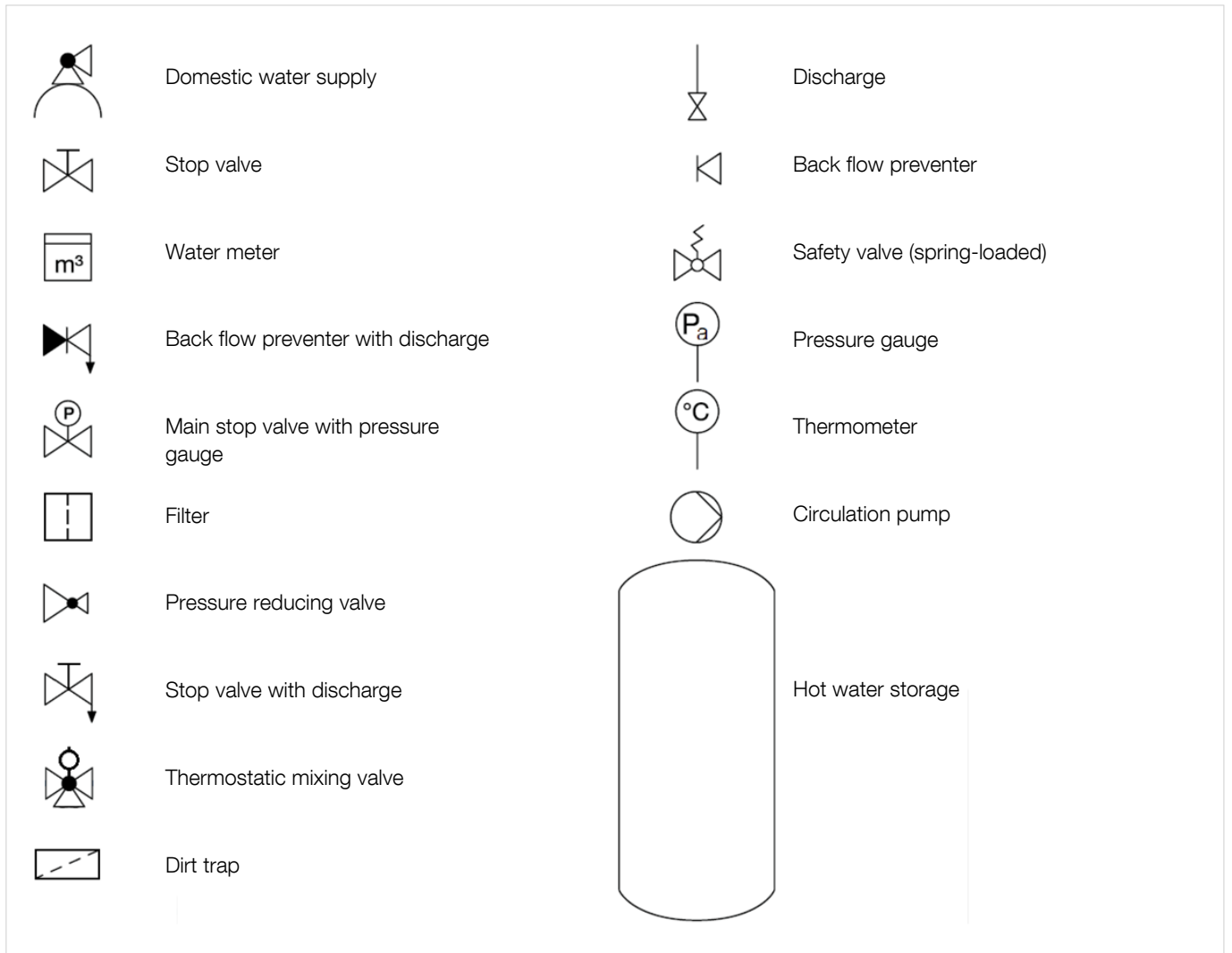
Key on next page

Please conform to national statutory regulations, where different.

Provided by customer:

- Filter (main pipe)
- Pressure reducing valve (main pipe)

Key



Plumbing information

Pipework calculation

The pipework must be calculated in accordance with EN 806-3, DIN 1988-300.

The simultaneous use of all other outlet points must be considered (simultaneity).

Pressure reducing components of the VERTICAL SHOWER^{ATT}:

- Stop valve 1.2 kPa / 0.174 psi / 0.012 bar
- Dirt trap 14 kPa / 2.03 psi / 0.14 bar

Pressure-reducing components provided by the customer:

- Water meter see manufacturer's specification
- Filter see manufacturer's specification
- Pressure reducing valve (main pipe) see manufacturer's specification
- Water softener, if necessary see manufacturer's specification

Install a speed-controlled pressure booster, if necessary (e.g. in accordance with DIN 1988-500).

Hot water system

To choose the perfect hot-water supply – taking additional tapping points and simultaneous use into consideration – an individual determination of requirements (e.g. according to DIN 1988-200, DIN 4708-2, DIN 4753-7, VDI 6003) is absolutely necessary.

If the hot water temperature is set higher than 65 °C / 149 °F, a thermostatic water mixer must be installed downstream of the hot-water supply (e.g. for a solar-heated systems).

If periodic thermal disinfection is required, the customer must provide an appropriate (manually or automatically operated) bypass of the thermostatic water mixer.

Floor drain

To choose the perfect drain – taking the flow rate of the entire installation into consideration – an individual determination of requirements is necessary. (e.g. in accordance with EN 12056-1/-2, DIN 1986-100).

Recommended drainage capacity / drain connection value [DU value] 1.5 l/s / 0.4 gps

Recommended drain pipe size DN 75

Plumbing installation

Flushing of the entire installation with clean water is absolutely necessary (the valid guidelines for the flushing are to be observed).

A flushing report has to be created (e.g. EN 806-4 / DIN 1988-200).

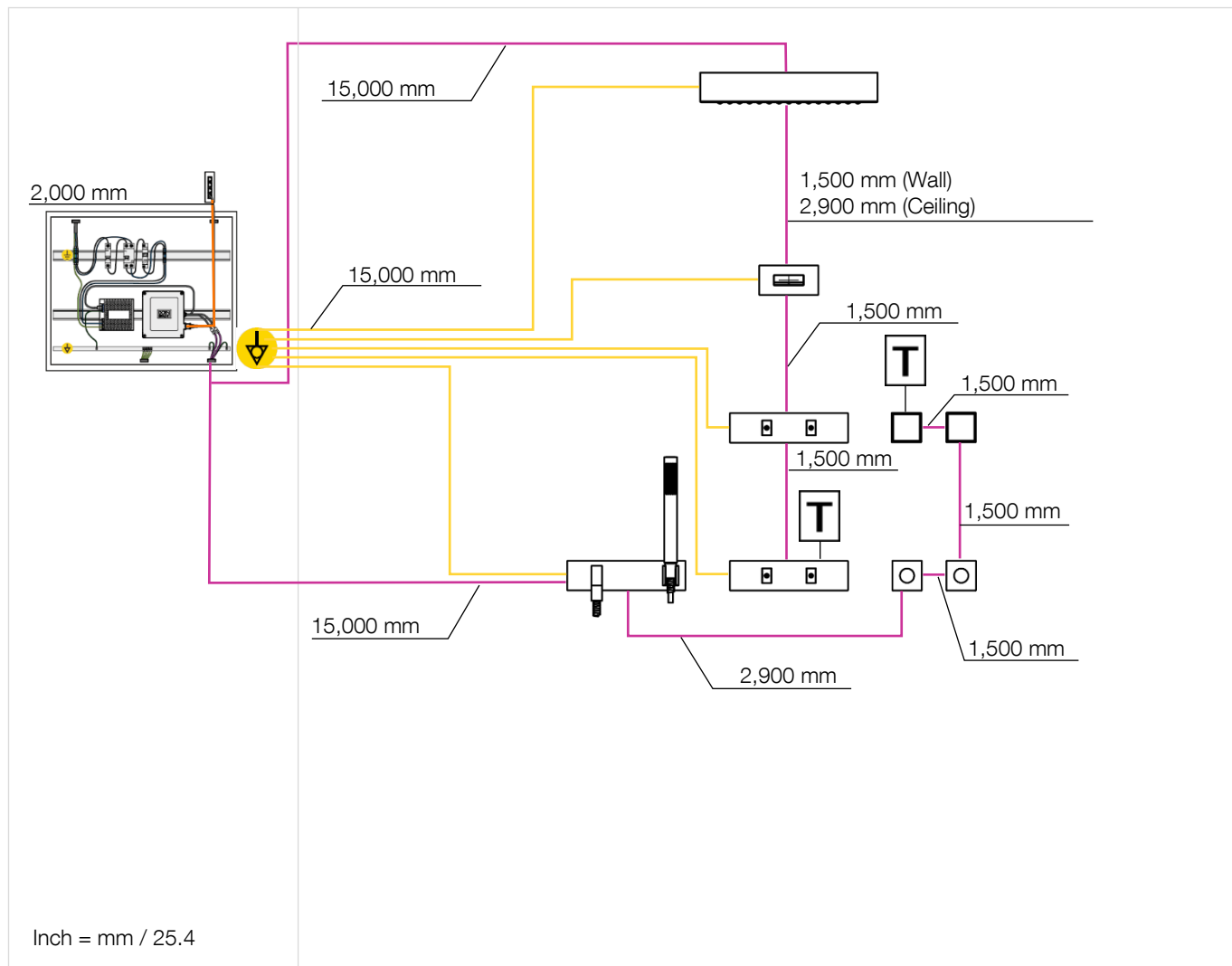
Flush before fitting the exposed trim parts and commissioning.

A pressure test of the entire installation (without angle valves) is absolutely necessary.

The exact procedure for the pressure test (preliminary test / main test) depending on the pipe material used, can be found in the currently applicable directives (EN 806-4, DIN 1988-200, etc.).

A test report has to be created.

Schematic diagram



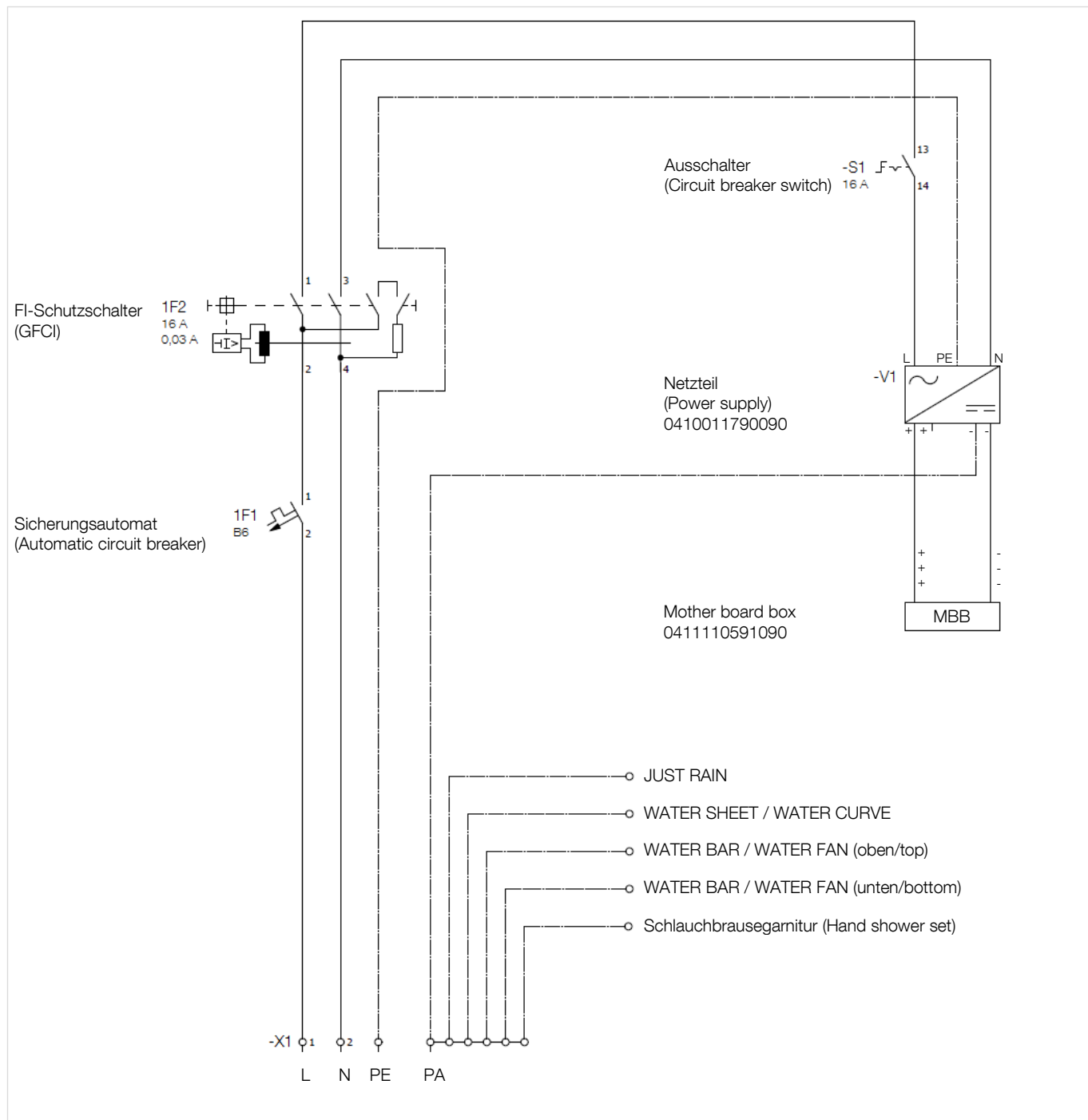
- = Ethernet cable (CAT 7)
- = VBUS cable
- = equipotential bonding cable (4 mm² / AWG 11)
- = equipotential bonding

= terminator

Do not roll up excess cable lengths. Shorten the excess cable lengths or fasten them in a meandering pattern.

The length specifications relate to the condition on delivery.

Fuse box wiring diagram



Electrical information

Electrical installation

Only connect to the electricity supply when the device is voltage-free.

⚠ Inexpertly completed electrical installations and electrical installations that are not completed as stipulated in this guide can cause electric shocks which could result in serious injury or even death, as well as damage to property.

The electrical installation must be implemented in accordance with IEC 60364-4-41 and DIN VDE 0100 by a qualified electrician. Please conform to national statutory regulations, where different.

The appliances may be connected only to original Dornbracht components.

Equipotential bonding

⚠ Do not create equipotential bonding over water pipes.

It is essential to use and/or install equipotential bonding cables (4 mm² / AWG 11).

Provided by customer:

- Fuse box in accordance with planning requirements
- Safety cut-out (6 A, type B)
- Ground fault circuit interrupter (30 mA, 2-pin, type A)
- 1 x Circuit-breaker switch (16 A)
- 2 x Rail mounting TS 35
- Equipotential bonding rail
- Network connection in accordance with TIA 568A, if necessary

Safety zones

Observe the regulations for protection zones according to DIN VDE 0100, Part 701 (IEC 60364-7-701).

Please conform to national statutory regulations, where different.

Observe the protection rating of each electrical component, only applicable once the device is fully installed.

The following electrical components must be installed outside safety zones 0 – 2: fuse box.

As WATER CURVE / WATER SHEET, 2 x WATER FAN / 2 x WATER BAR, complete hand shower set and SMART TOOLS control elements are operated by safety extra-low voltage (12 V), they can be installed in safety zone 1.

The VBUS connection of electrical components (daisy chain) must end with a terminator.

No more than 5 components should be connected one after the other in the daisy chain.

Dornbracht must be consulted in advance about installations that differ from the planning information.

The total length of the daisy chain may not exceed 30,000 mm / 98 ft 5-1/8".

Technical data

General

Weight

- JUST RAIN 12 kg / 26.5 lbs (US)

Recess depths

- Concealed rough parts eVALVE min. 153 mm / 6"
max. 176 mm / 7"
- JUST RAIN with ceiling connection min. 141 mm / 5-1/2"
max. 164 mm / 6-1/2"
- SMART TOOLS control elements min. 141 mm / 5-1/2"
- Drilled hole diameter for concealed box 56 mm / 2-1/4"

Electrotechnical data

Power supply

Power supply unit (fuse box)

- Input voltage 100 – 240 V AC
- Output voltage 12 V DC
- Input frequency 50 – 60 Hz
- Maximum power consumption 40 W

Concealed rough parts eValve (WATER CURVE / WATER SHEET, 2 x WATER FAN / 2 x WATER BAR, hand shower set)

- Supply voltage 12 V DC
- Degree of protection IP 55
- Equipotential bonding 4 mm² / AWG 11

SMART TOOLS control elements (display switch and twist controller)

- Supply voltage 12 V DC
- Degree of protection IP X4

Sanitary specifications

The product is intrinsically safe according to EN 1717.

The thermostat meets the requirements according to EN 1111.

Scalding protection (factory-adjusted) 43 °C / 109 °F

Size of the supply lines

Hot and cold water 2 x DN 20

Drainage

- Drainage capacity / drain connection value [DU value]
1.5 l/s / 0.4 gpm
- Recommended drain pipe size DN 75

To choose the perfect drain – taking the flow rate of the entire installation into consideration – an individual determination of requirements is necessary. (e.g. in accordance with EN 12056-1/-2, DIN 1986-100).

Maximum flow at a flow pressure of 300 kPa / 44 psi / 3 bar (with WATER CURVE / WATER FAN)

- Total 70 l/min / 18.5 gpm
- BALANCE (5:45 mins.) 118.5 l / 31.3 gal
- DE-STRESS (5:40 mins.) 111.8 l / 29.5 gal
- ENERGIZE (5:20 mins.) 115.4 l / 30.5 gal

Maximum flow at a flow pressure of 300 kPa / 44 psi / 3 bar (with WATER SHEET / WATER BAR)

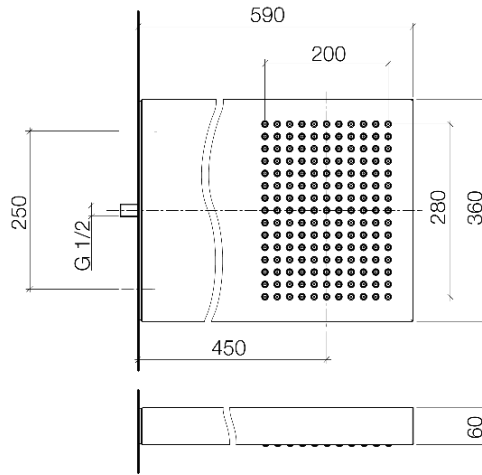
- Total 66 l/min / 17.4 gpm
- BALANCE (5:00 mins.) 79.7 l / 21.1 gal
- DE-STRESS (5:05 mins.) 97.9 l / 25.9 gal
- ENERGIZE (4:30 mins.) 67.9 l / 17.9 gal

Safety marks

CE

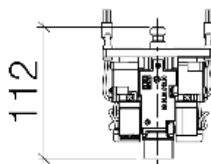
JustRain

JUST RAIN with wall connection
 41 550 979-FF



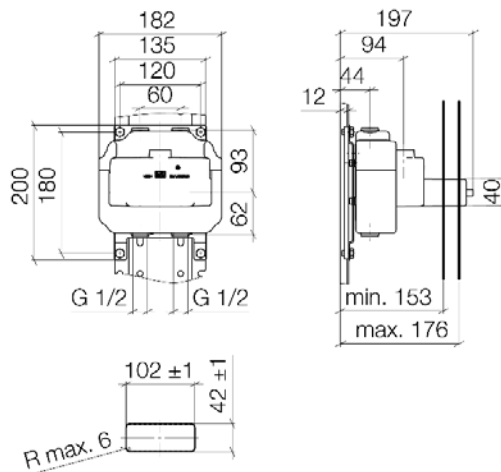
35 315 970 90

mm



35 212 970 90

mm

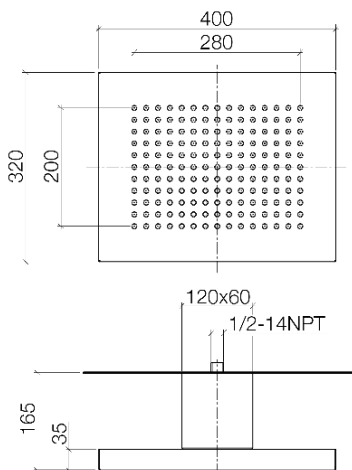


mm

Inch = mm / 25.4

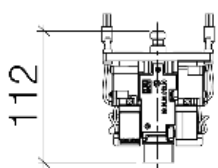
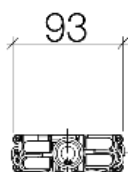
JustRain

JUST RAIN with ceiling connection
 41 507 979-FF



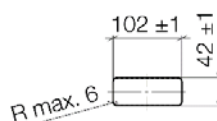
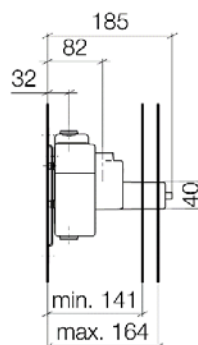
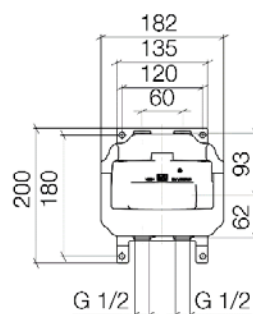
mm

35 315 970 90



mm

35 212 970 90

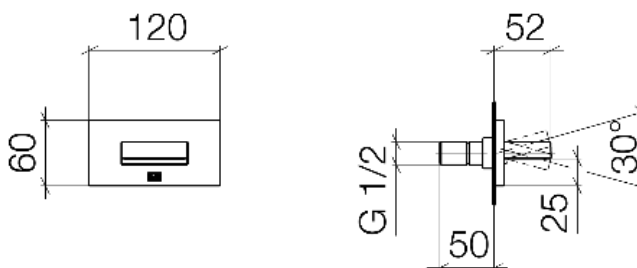


mm

Inch = mm / 25.4

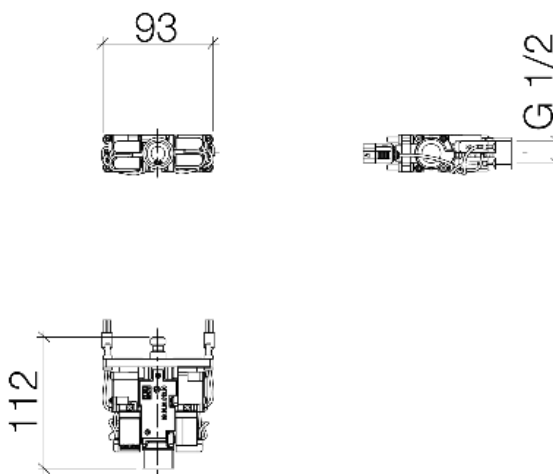
WaterCurve

36 514 979-FF



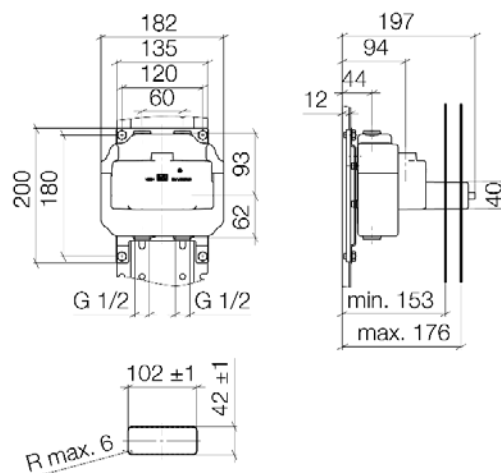
mm

35 315 970 90



mm

35 212 970 90

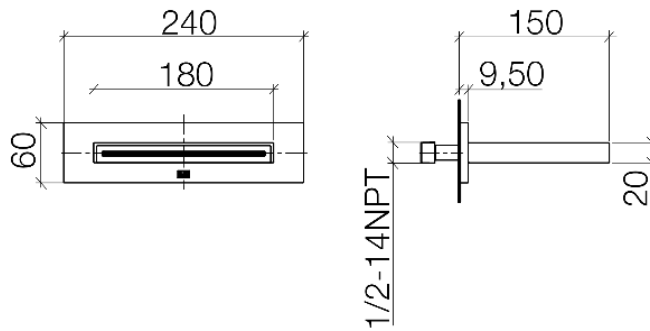


mm

Inch = mm / 25.4

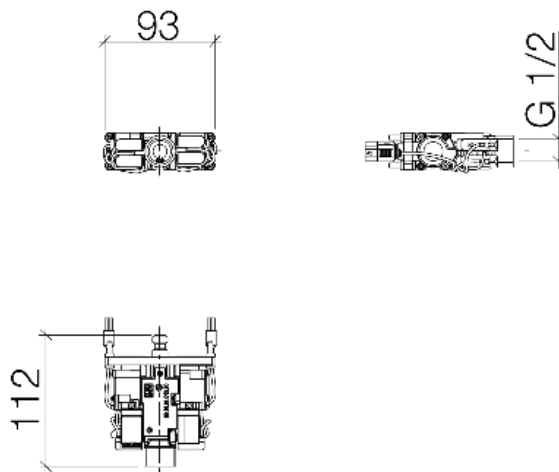
WaterSheet

13 415 979-FF



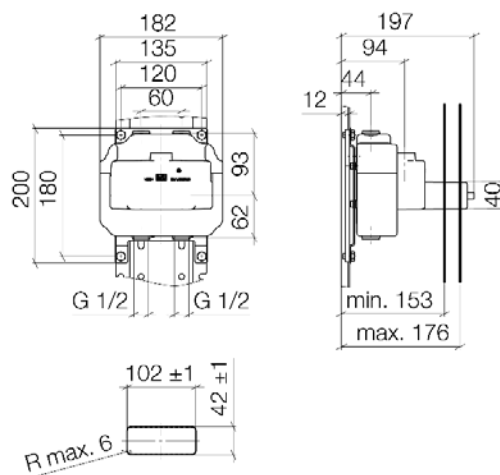
mm

35 315 970 90



mm

35 212 970 90

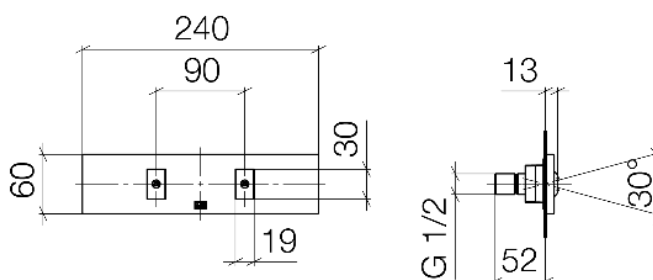


mm

Inch = mm / 25.4

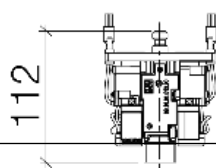
WaterFan

36 512 979-FF / 36 513 979-FF



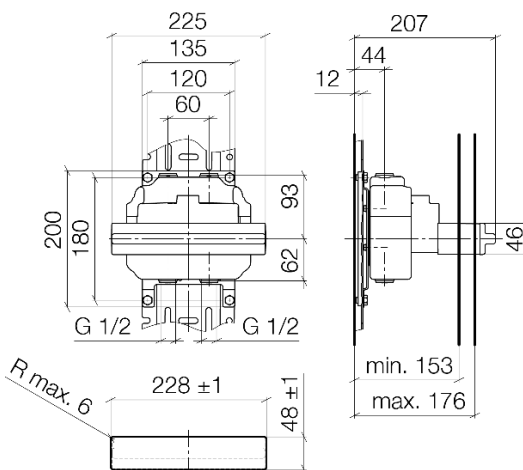
mm

35 315 970 90



mm

35 213 970 90

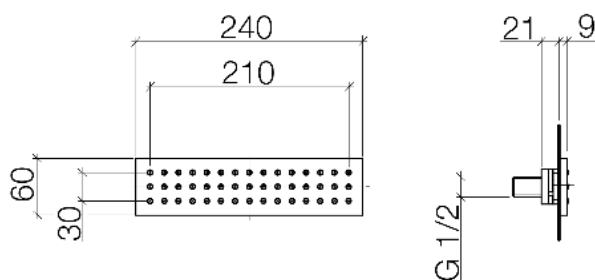


mm

Inch = mm / 25.4

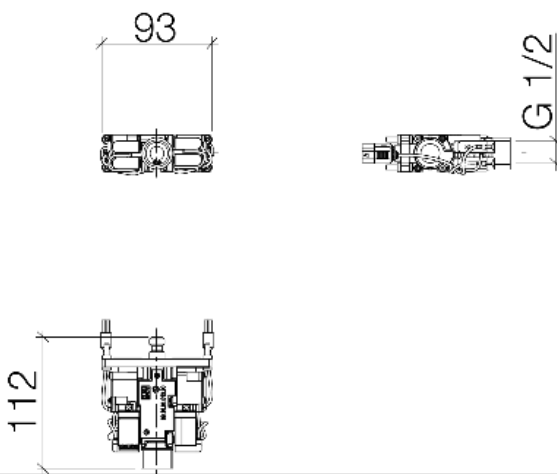
WaterBar

36 517 979-FF



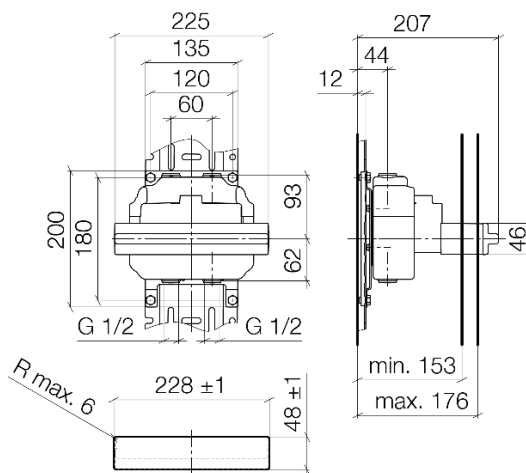
mm

35 315 970 90



mm

35 213 970 90

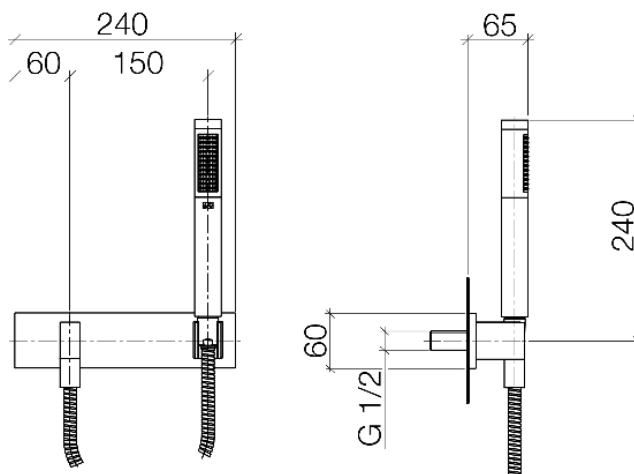


mm

Inch = mm / 25.4

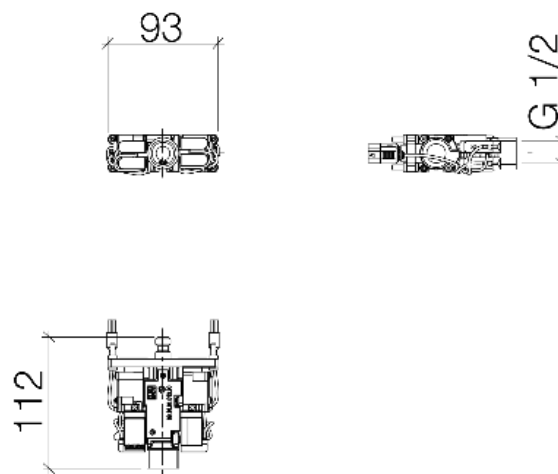
Hand shower set

27 818 979-FF



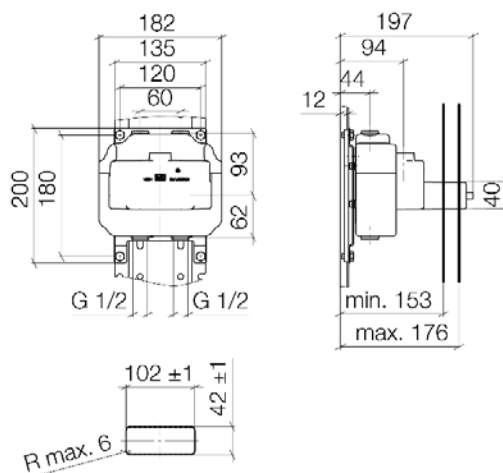
mm

35 315 970 90



mm

35 212 970 90

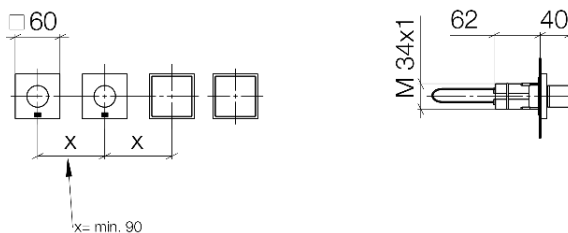


mm

Inch = mm / 25.4

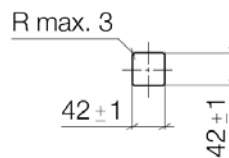
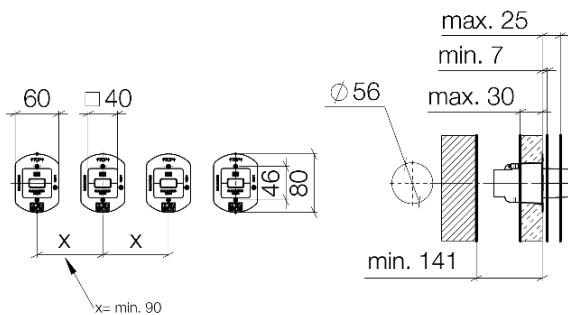
SMART TOOLS control elements

Smart Tools



mm

Concealed rough parts for
 SMART TOOLS



mm

Inch = mm / 25.4

Europe

DE	Dornbracht Deutschland GmbH & Co.KG Hotline Technische Beratung E-Mail tservice@dornbracht.de	Tel. +49 (0)2371 433 480 Fax +49 (0)2371 433 175
	Dornbracht International GmbH E-Mail tservice@dornbrachgroup.com	
BE	Dornbracht E-Mail mail.bnl@dornbrachgroup.com	Tel. +32 (053) 81 02 78 (Vlaams) +32 (053) 81 02 79 (French) Fax +32 (053) 80 47 41
CH	Dornbracht Schweiz AG E-Mail mail@dornbrachgroup.ch	Tel. +41 (0) 62 787 20 30 Fax +41 (0) 62 787 20 40
CZ, SK	Agentura Kramárová E-Mail mkramar@email.cz	Mob. +420 724 207 528
ES, PT	Dornbracht España S.L. E-Mail mail@dornbrachgroup.es	Tel. +34 93-272 391 0 Fax +34 93-272 391 3
FR	Dornbracht France SARL E-Mail mail@dornbrachgroup.fr	Tel. +33 (0) 1 40 21 10 70 Fax +33 (0) 1 40 21 37 01
HU	Z-A Design Stúdió Kft. E-Mail dornbracht@zadesign.hu	Tel. +36 70 77 50 954
IT	Dornbracht Italia s.r.l. E-Mail mail@dornbrachgroup.it	Tel. +39 02 81 83 43 1 Fax +39 02 81 83 43 215
LT, EE, LV	Arunas Jazukevicius E-Mail arunas.jazukevicius@burgbad-baltics.com	Tel. +370 686 303 13 Fax +370 37 202767
NL	Dornbracht Nederland B.V. E-Mail mail.bnl@dornbrachgroup.com	Tel. +31 (0) 10 52 43 400 Fax +31 (0) 10 52 43 410
PL	Honorata Broniowska E-Mail: biuro@dornbrachgroup.pl	Tel. +48 (0) 95-728 261 7 Mob. +48 (0) 602471319
RO, BG, MD	Reallize Consult SRL E-Mail dornbracht@reallize.ro	Tel. +40 21 528 03 91 Mob. +40 722 654 654 Fax +40 21 528 03 90
RU, BY, KZ	OSA GmbH & Co. KG E-Mail osa@o-s-a.de	Tel. +7 (499) 241 8259
DK, SE, NO, FI, IS	Dornbracht Nordic A/S E-Mail mail@dornbrachgroup.dk	Tel. +45 50 84 54 00
SRB, BIH, MNE, MK, HR	DOZEN Stars d.o.o. E-Mail nenadkop@yahoo.com E-Mail zoja.jovicevic@yahoo.com	Tel. +381 (11) 6555120, 6555119, 6555118 Fax +381 (11) 22 83 966
AM, AZ, GE, GR, KG, TJ, TR, TM, UZ, Northern Cyprus	Dornbracht Turkey/Central Asia E-Mail mail@dornbrachgroup.com.tr	Tel. +90 (0) 212 284 9495 Fax +90 (0) 212 284 0023
UA	Lesia Khelemendyk E-Mail office@helena.com.ua	Tel. +38 (0) 44-244 7682 Fax +38 (0) 44-244 7682
UK, IE	Dornbracht UK Ltd. E-Mail mail@dornbrachgroup.co.uk	Tel. +44 (0) 2476-717 129 Fax +44 (0) 2476-718 907
Central Europe		
AT	Dornbracht Austria GmbH E-Mail mail@dornbrachgroup.at	Tel. +43 (0) 2236-677360 Fax +43 (0) 2236-677360 20

Americas

US, CA, Central America, South America	Dornbracht Americas Inc.	Tel.	+1 800-774-1181
	E-Mail dornbrachtam@dornbrachtgroup.com		+1 770-564-3599
	E-Mail technicalservice@dornbracht.com	Fax	+1 800-899-8527

Mexico	German Concepts S.A. de C.V.	Tel.	+52 (55) 53 43 84 50
	E-Mail rmijares@germanconcepts.com.mx	Fax	+52 (55) 53 43 90 97

	Dornbracht Americas Inc.	Tel.	+1 800-774-1181
			+1 770-564-3599
		Fax	+1 800-899-8527

Asia Pacific

HK/MAC, JP, KR, TW, NZ, AUS	Dornbracht Asia Pacific Ltd.	Tel.	+852 2505 6254
	E-Mail mail@dornbrachtgroup.hk	Fax	+852 2505 9722

SG, ML, ID, PH, TH, VN	Dornbracht South East Asia Pte. Ltd.	Tel.	+65 6823 6813
	E-Mail mail@dornbrachtgroup.sg		

CN	Dornbracht (Shanghai) Commercial Ltd.	Tel.	+86 (0) 21-6360 6930
	E-Mail mail@dornbrachtgroup.com.cn		+86 (0) 21-5150 6775
		Fax	+86 (0) 21-6361 4155

IN	Dornbracht India Private Ltd.	Tel.	+91 22 26853900
	E-Mail mail@dornbrachtgroup.in		+91 22 26853912
		Fax	+91 22 26853900

Middle East

AE, BH, EG, IQ, IR, JO, KW, LB, OM, PK, QA, SA, SY, YE	Dornbracht International GmbH - Rep. Office	Tel.	+971 4 380 6611
	E-Mail DornbrachtME@dornbrachtgroup.com	Fax	+971 4 380 6606

LB	Naji Kanafani & Fils	Tel.	+961 1 307 400
	E-Mail info@kanafani.com.lb	Mob.	+961 3 251 630
		Fax	+961 1 307 403

South Africa

ZA	Siobhan Thomas	Tel.	+27 215 117 888
	E-Mail Siobhan@dornbracht.co.za		

West Africa

BJ, CI, CM, GH, GM, GA, SN	Mr. Amine Moghrabi	Mob.	+225 05 55 38 38
	E-Mail amine_mak@idm.net.lb		+961 3 29 02 49
	E-Mail amine_mak@hotmail.com		

Aloys F. Dornbracht GmbH & Co. KG Armaturenfabrik
Köbbingser Mühle 6, D-58640 Iserlohn
Tel. +49(0)2371 433-0, Fax +49(0)2371 433-232
mail@dornbracht.de, dornbracht.com

Dornbracht Group

Premium Solutions for Interior Architecture