



**SNU104C - Bright finish**  
**SNU104CS - Satin finish**

### General Description

- Single urinal for wall-mounting, manufactured in stainless steel AISI 304, 1.5 mm thick with round bowl and hidden vertical outlet.
- Engineered to combine an attractive look and a great robustness with a high versatility.
- A contoured exterior and interior to facilitate cleaning.
- A flush nozzle made in stainless steel with a M3/8" flushing inlet connection is provided.
- A service door, made of stainless steel and located at the front part of the urinary, allows to access to the Ø50 mm outlet.
- Fixation screws, flexible hoses and flush valve are not included.
- Flushing system can be by means of a concealed cistern or a flushing valve (neither of them included)"

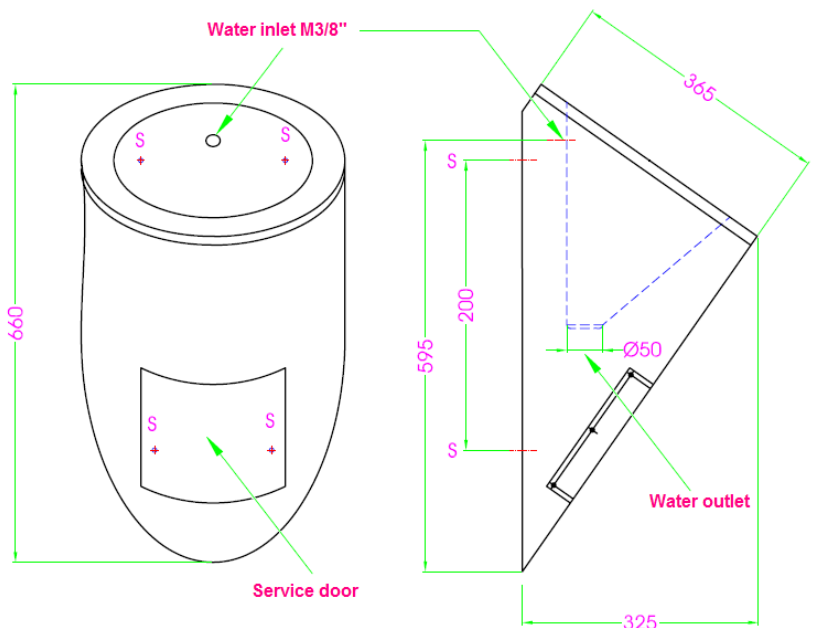
### Components & materials

- **SNU104C:** stainless steel AISI 304, bright finish.
- **SNU104CS:** stainless steel AISI 304 satin finish.
- **BODY:** made of stainless steel AISI 304 1.5 mm thick, features a contoured exterior to facilitate cleaning.
- **BOWL:** made of stainless steel AISI 304 1.5 mm thick. It features a contoured interior to facilitate cleaning.
- **FLUSH NOZZLE:** to clean the urinal. It is made of stainless steel AISI 304 and it has a M3/8" thread for flush inlet valve mounting.

### Technical Specifications

<b>Dimensions</b>	365 W x 325 D x 660 H mm
<b>Thickness</b>	1.5 mm
<b>Inlet</b>	Horizontal M 3/8"
<b>Outlet</b>	Vertical Ø50 mm
<b>Net weight</b>	6.2 Kg

### Dimensions



Dimensions ±4%

### MOUNTING

Fix the urinal on the wall using stainless steel screws (not supplied) through the corresponding holes (points indicated by an "S" in the upper figure).