

EB1583-M90



Collection: VIVIENNE

Finish\*:



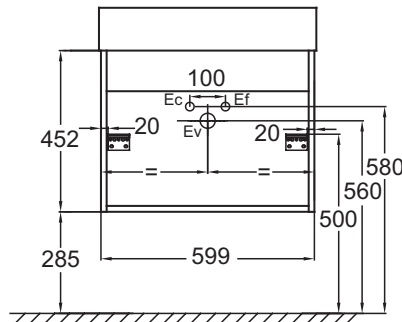
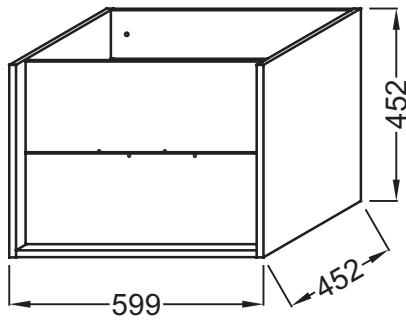
Main features:



Features

- DIMENSIONS: 59.90 x 45.20 x 45.20 cm
- MATERIAL: Lacquer and melamine
- WEIGHT: 23 kg
- INSTALLATION TYPE: Wall-hung

Technical drawing



Product Specification: Base unit 60 cm for vanity top, 2 drawers. EB1583-M90. Collection: VIVIENNE. DIMENSIONS: 59.90 x 45.20 x 45.20 cm. WEIGHT: 23 kg. MATERIAL: Lacquer and melamine. INSTALLATION TYPE: Wall-hung.

\*Due to possible variations in computer and printer calibrations, technical factors and certain finish characteristics, the colors you see may not accurately portray the actual colors and are provided as a guide only.