

# Roca

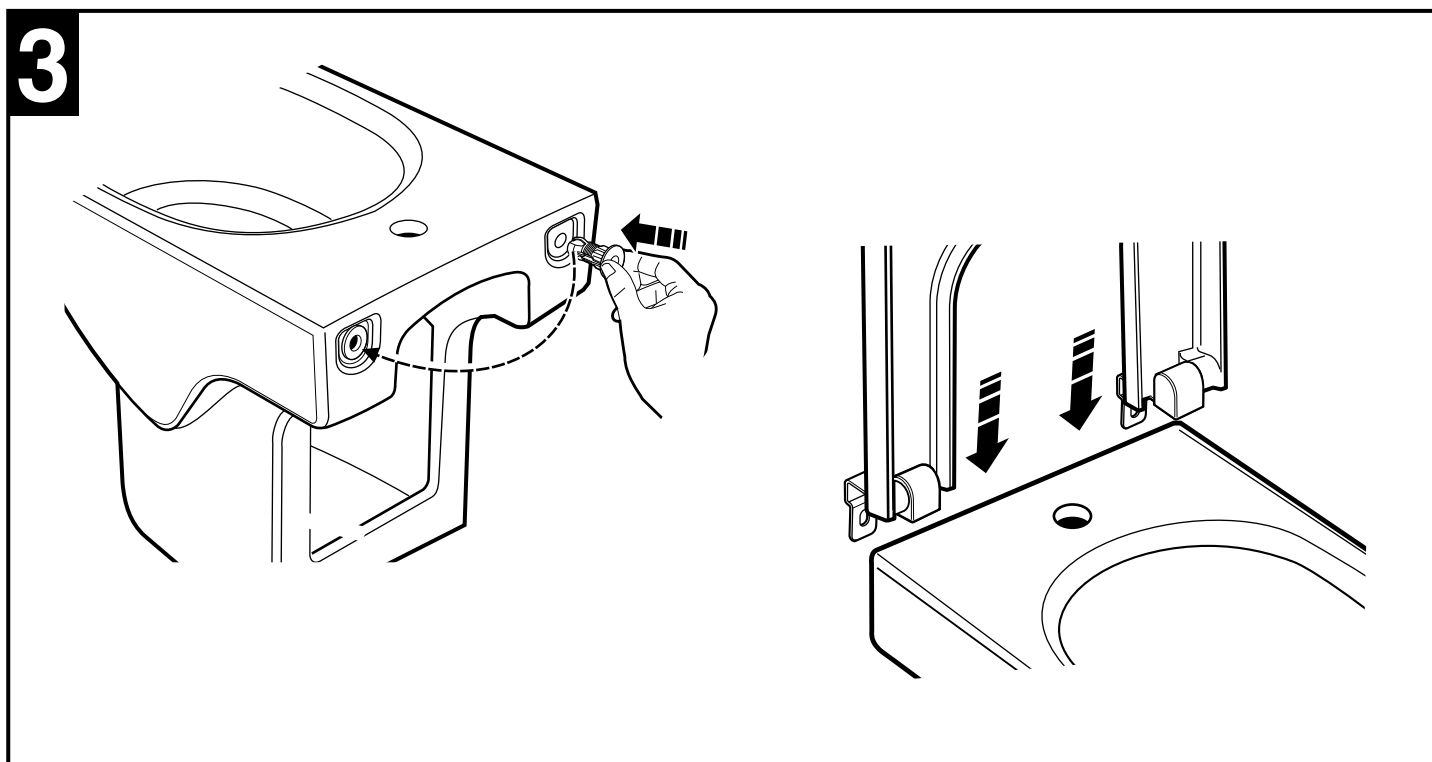
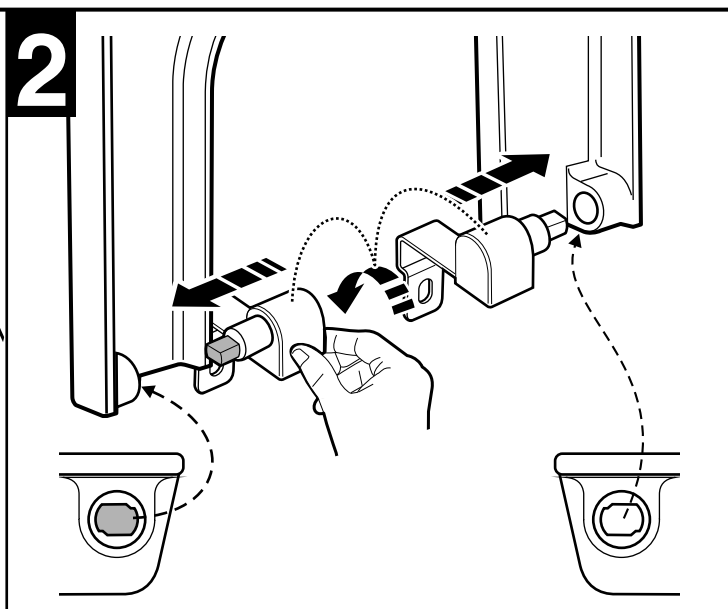
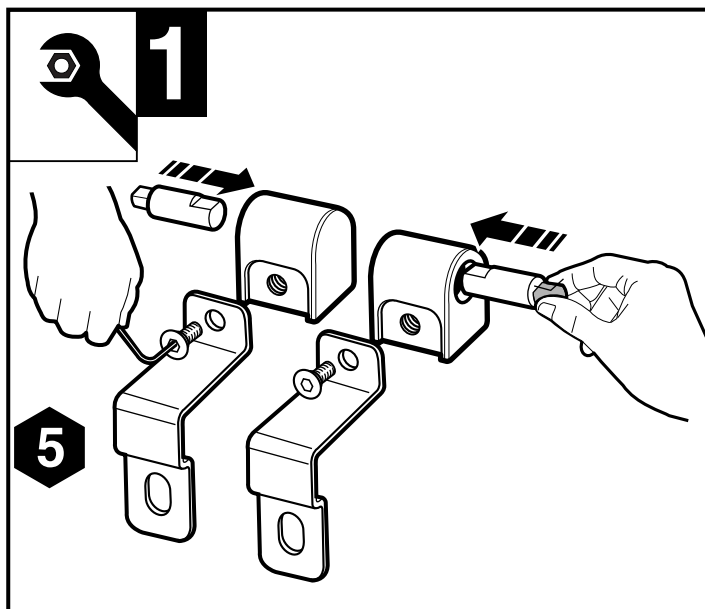
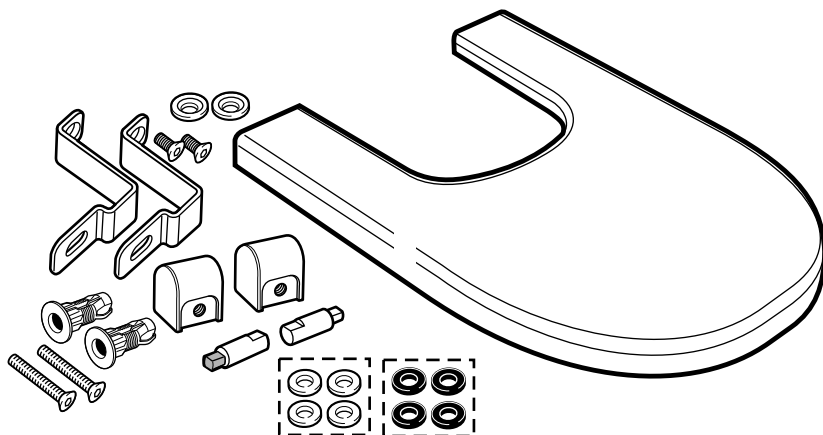
## MERIDIAN

8-062A0 STANDARD

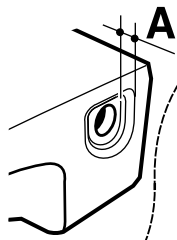
8-062A2 STANDARD

8-062AB COMPACT

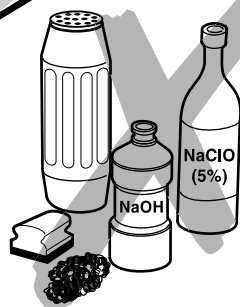
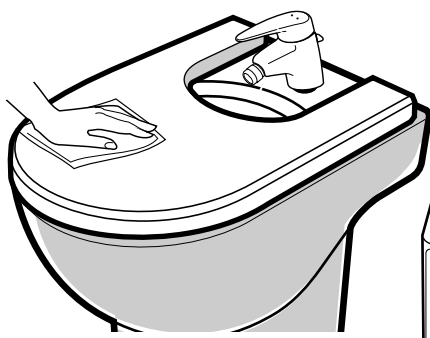
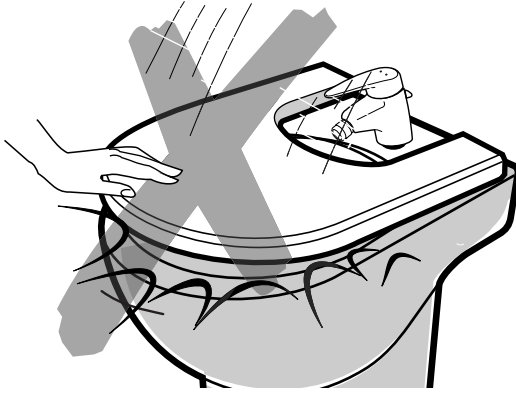
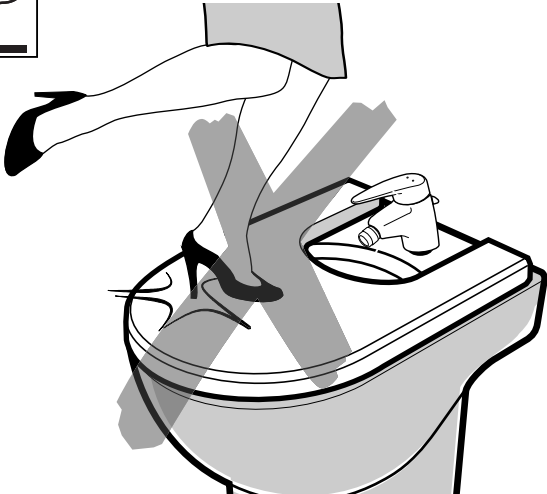
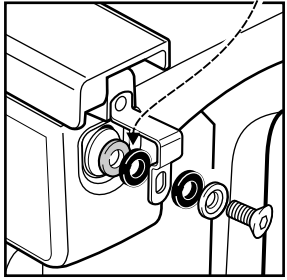
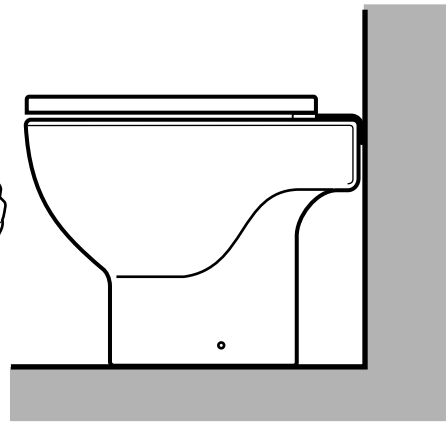
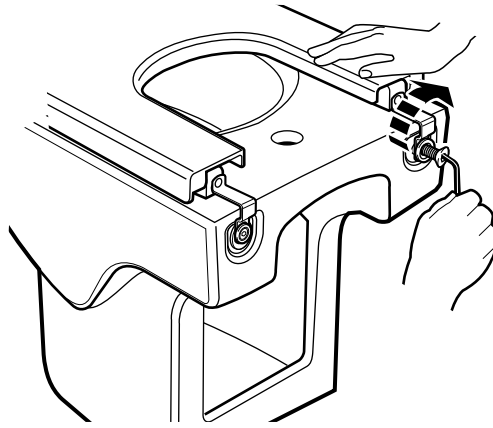
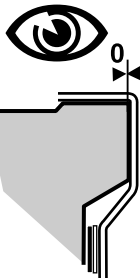
8-062AC COMPACT



4



<b>A</b>	
6-7	0
7-8	1
8-9	2



**Roca Sanitario, S.A.**  
 Avda. Diagonal, 513  
 08029 Barcelona - SPAIN  
 Teléfono 93 366 1200  
 Fax 93 419 4501  
 www.roca.es



8-02813840b