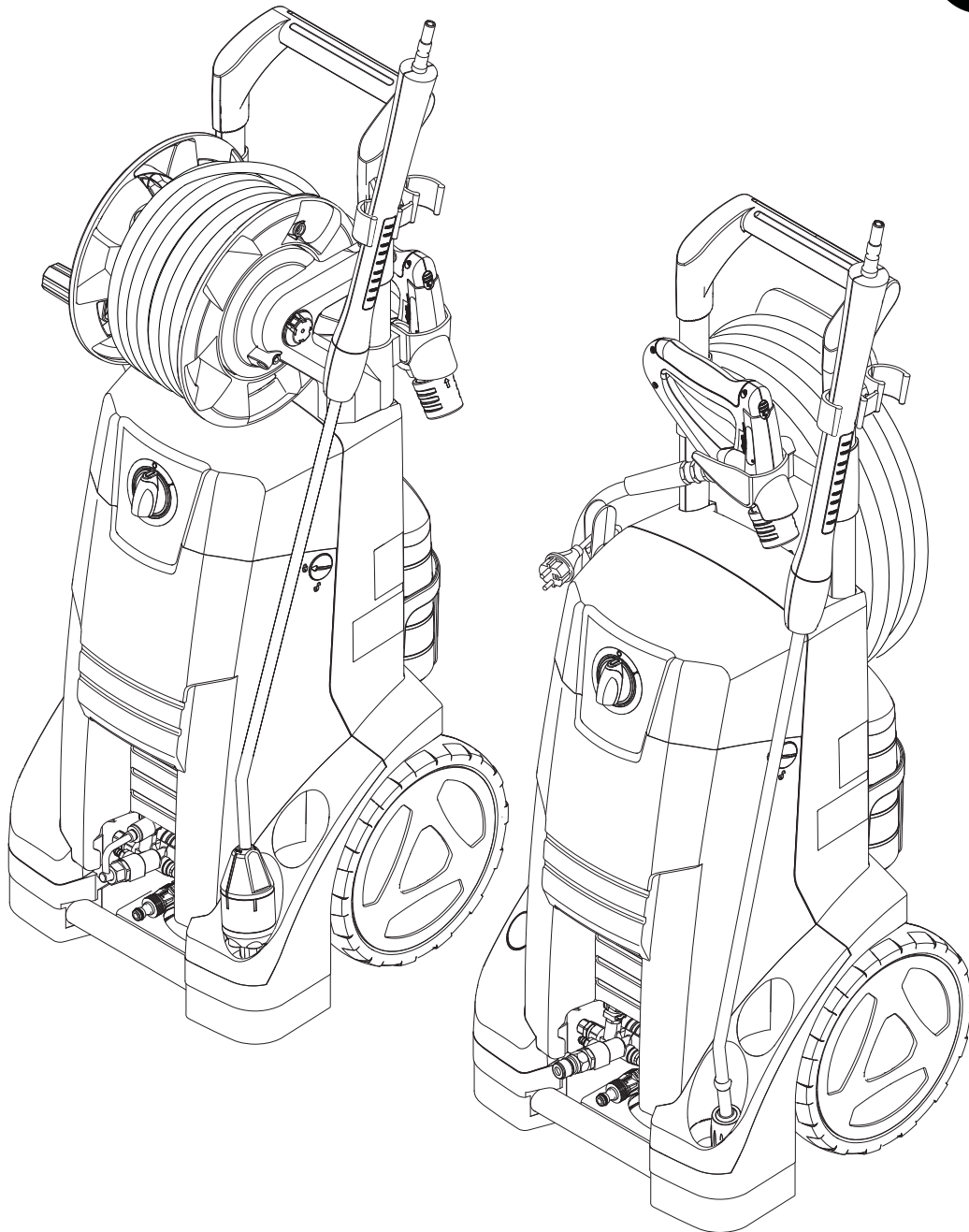
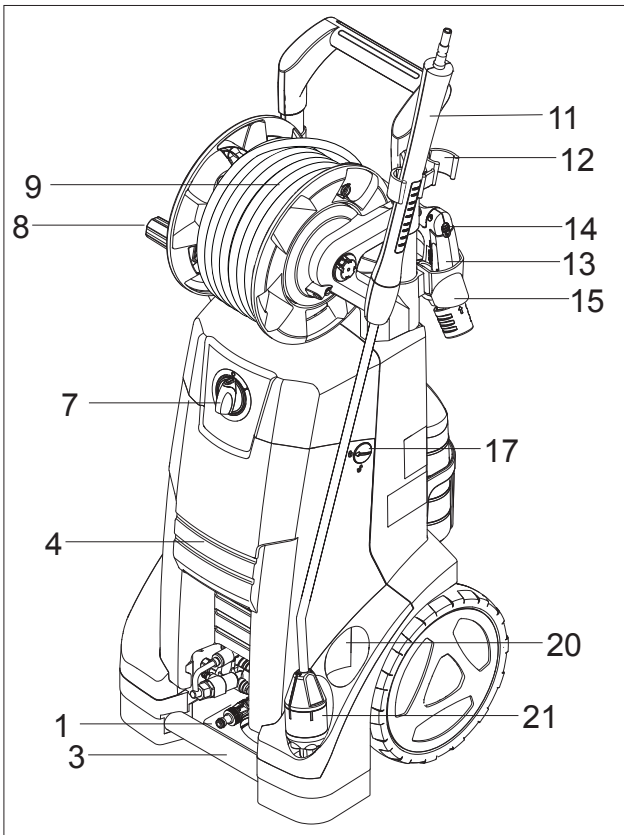


# MC 3C - MC 4M - Instructions for use

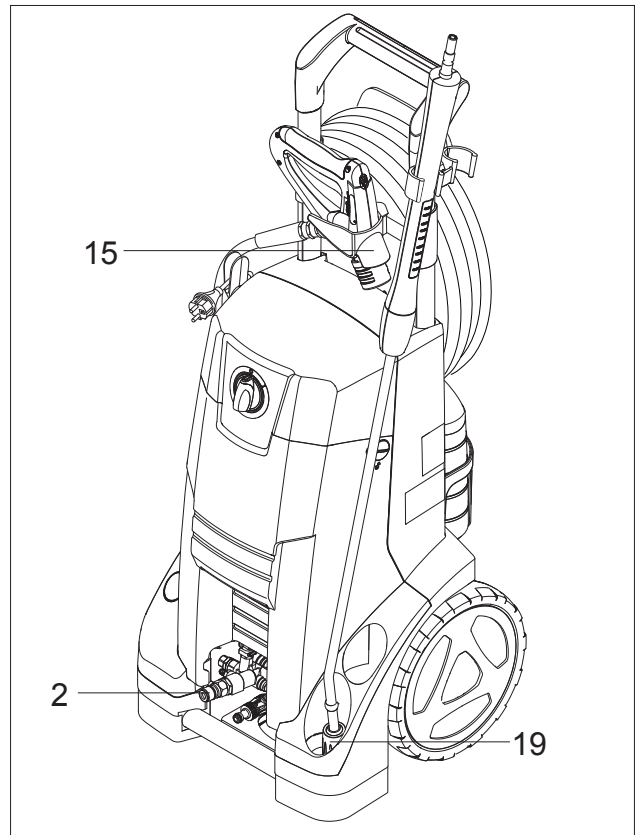


<b>EN</b>	Operating instructions .....	9
<b>DE</b>	Bedienungsanweisungen .....	12
<b>FR</b>	Instructions de fonctionnement .....	15
<b>NL</b>	Gebruiksaanwijzingen .....	18
<b>IT</b>	Istruzioni per l'uso .....	21
<b>NO</b>	Bruksanvisning .....	24
<b>SV</b>	Bruksanvisning .....	27
<b>DA</b>	Betjeningsvejledning .....	30
<b>FI</b>	Käyttöohje .....	33
<b>ES</b>	Instrucciones de funcionamiento .....	36
<b>PT</b>	Instruções de Funcionamento .....	39
<b>EL</b>	Οδηγίες λειτουργίας .....	42
<b>TR</b>	Kullanma Talimatları .....	45
<b>SL</b>	Navodila za delovanje .....	49
<b>HR</b>	Upute za uporabu .....	52
<b>SK</b>	Návod na obsluhu .....	55
<b>CS</b>	Návod k obsluze .....	58
<b>PL</b>	Instrukcje dotyczące obsługi .....	61
<b>HU</b>	Használati útmutató .....	64
<b>RO</b>	Instrucțiuni de utilizare .....	67
<b>BG</b>	Указания за експлоатация .....	70
<b>RU</b>	Руководство по эксплуатации .....	73
<b>ET</b>	Tööjuhised .....	76
<b>LV</b>	Norādījumi par ekspluatāciju .....	79
<b>LT</b>	Naudojimo instrukcija .....	82
<b>JA</b>	作手順.....	85
<b>ZH</b>	操作说明 .....	88
<b>KO</b>	사용법.....	91
<b>TH</b>	คำแนะนำการใช้งาน .....	94
<b>MS</b>	Arahan Operasi.....	97

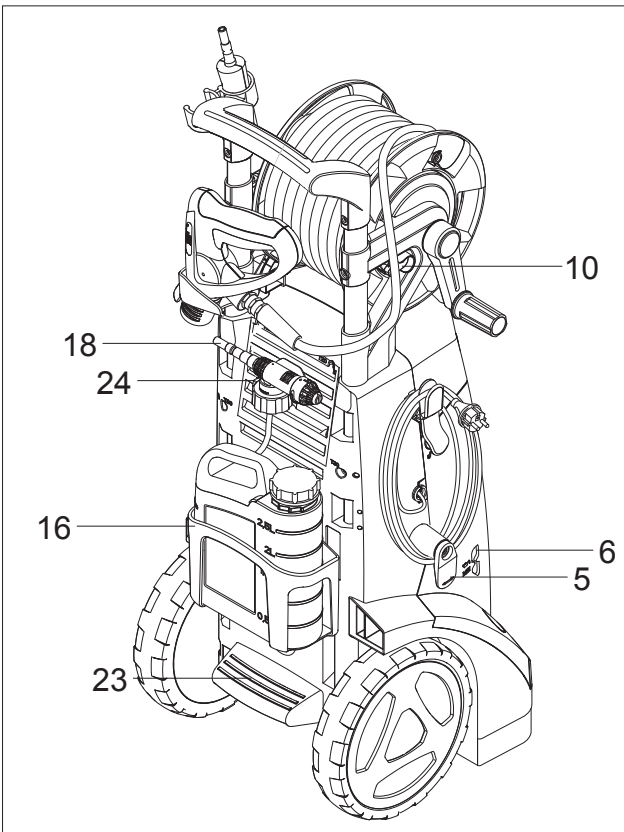
**MC 3C-XT/MC 4M-XT**



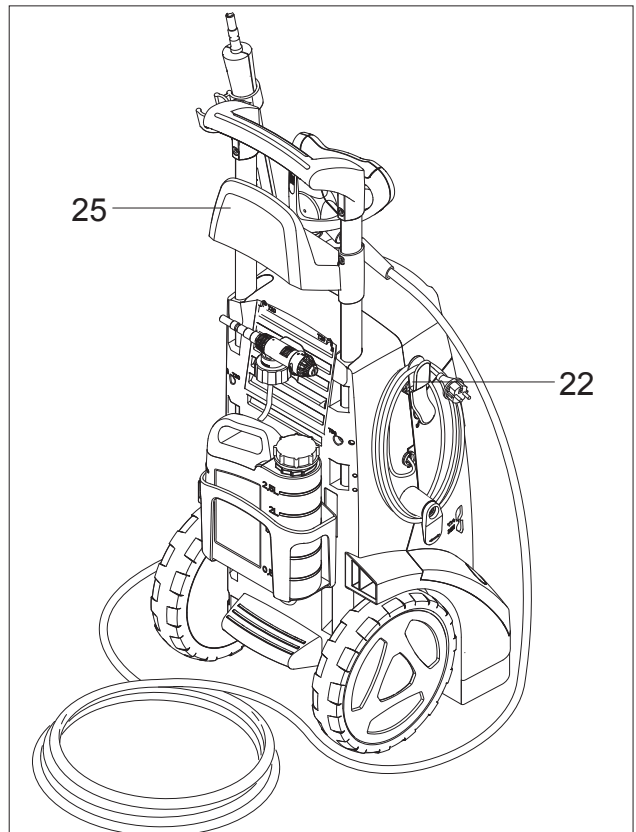
**MC 3C/MC 4M**



**MC 3C-XT/MC 4M-XT**

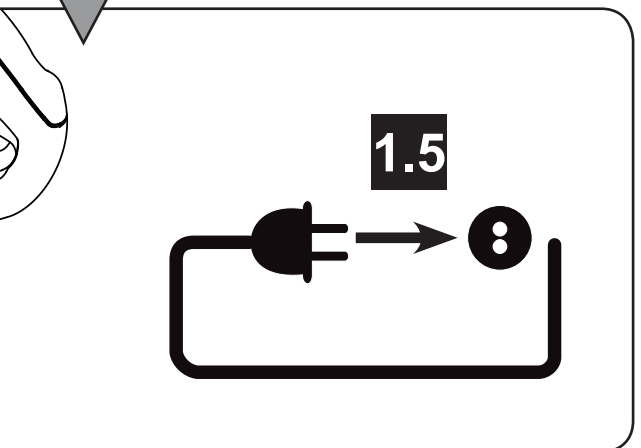
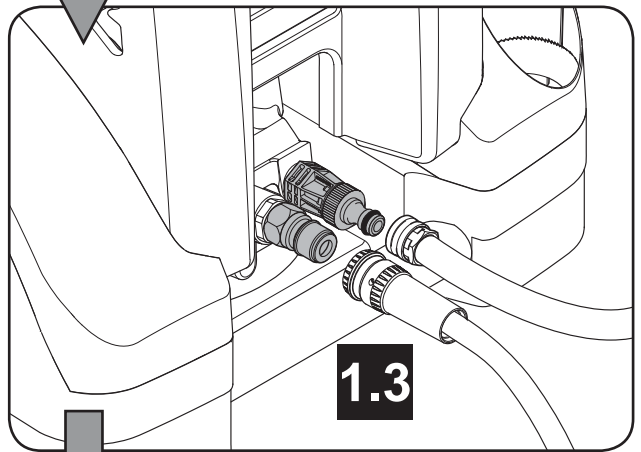
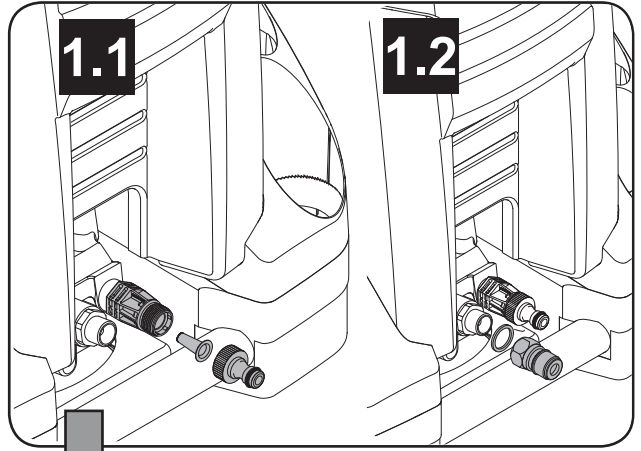
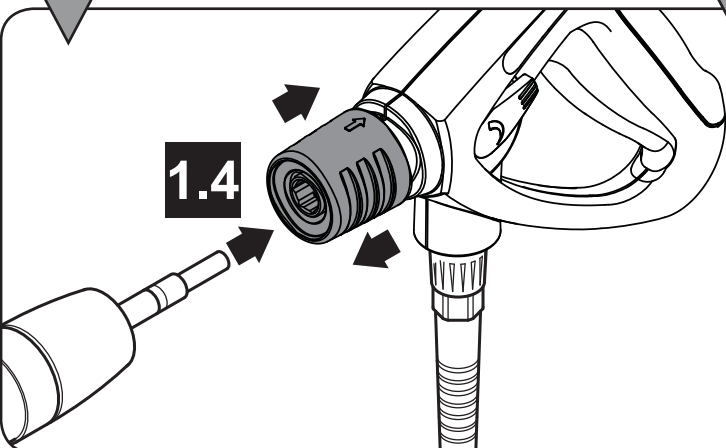
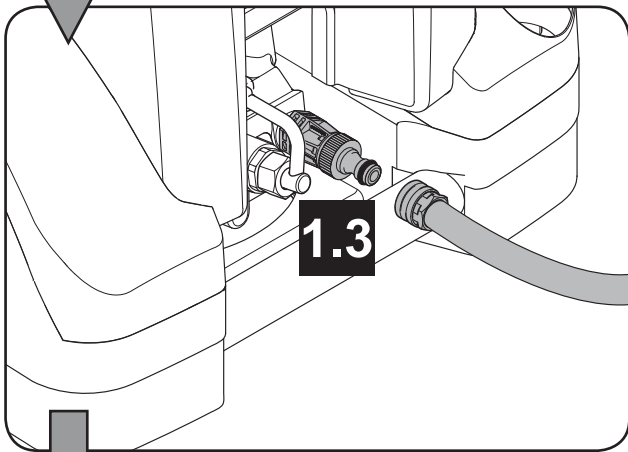
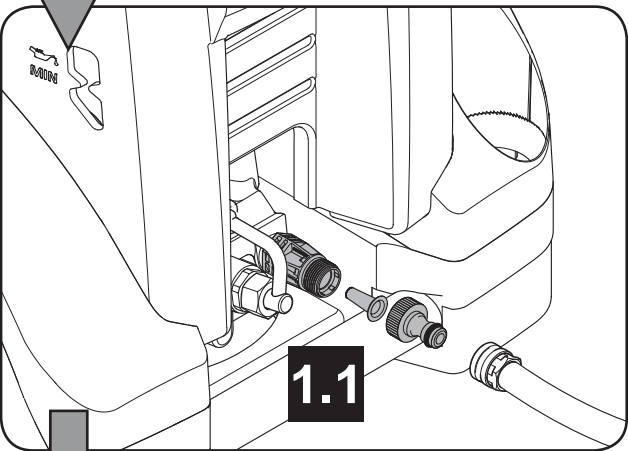
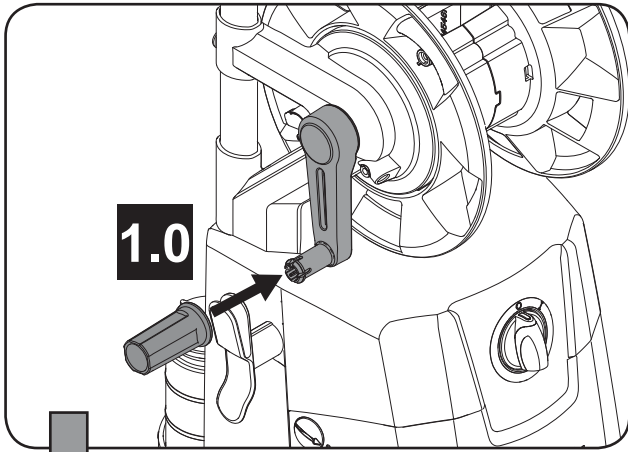


**MC 3C/MC 4M**

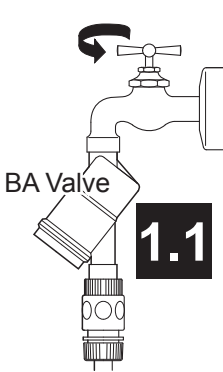
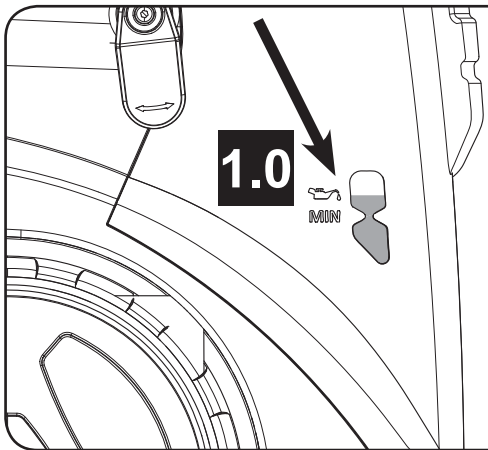


A - MC 3C-XT/MC 4M-XT

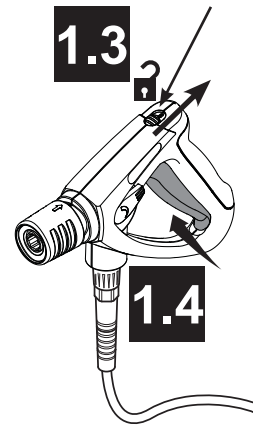
A - MC 3C/MC 4M



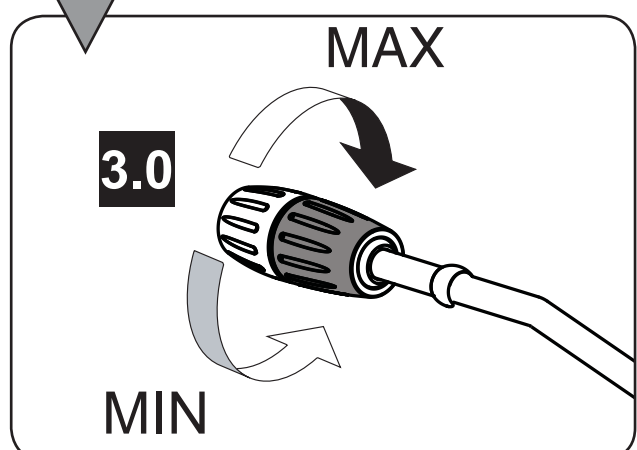
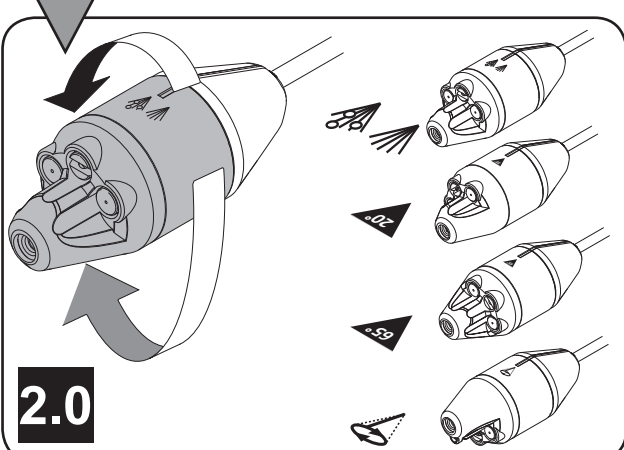
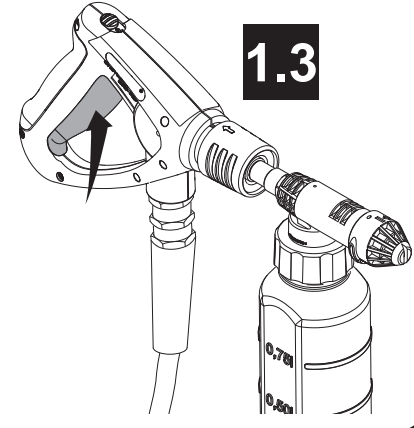
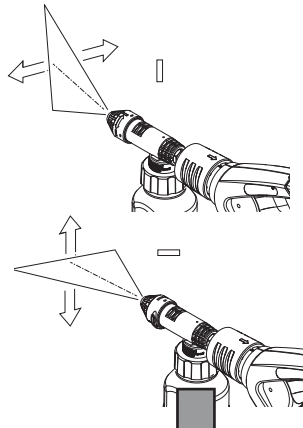
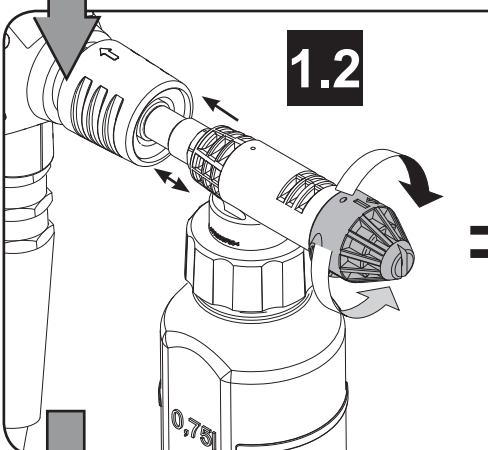
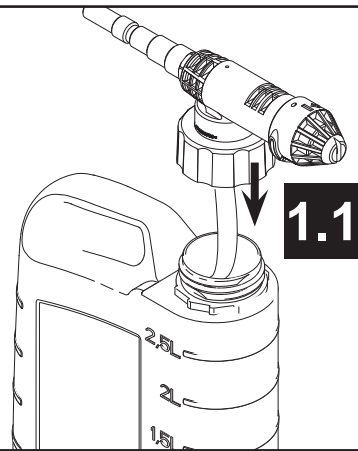
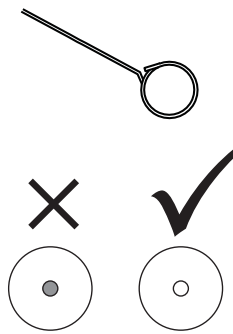
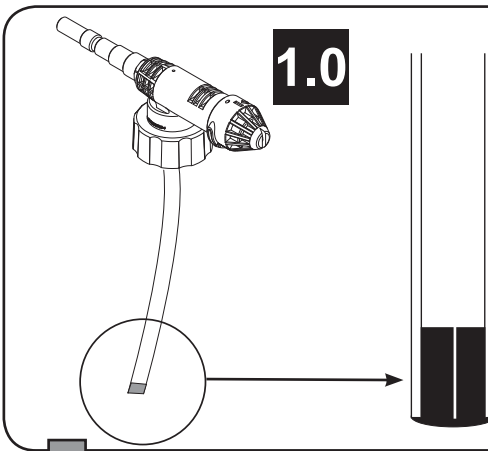
B - MC 3C-XT/MC 4M-XT

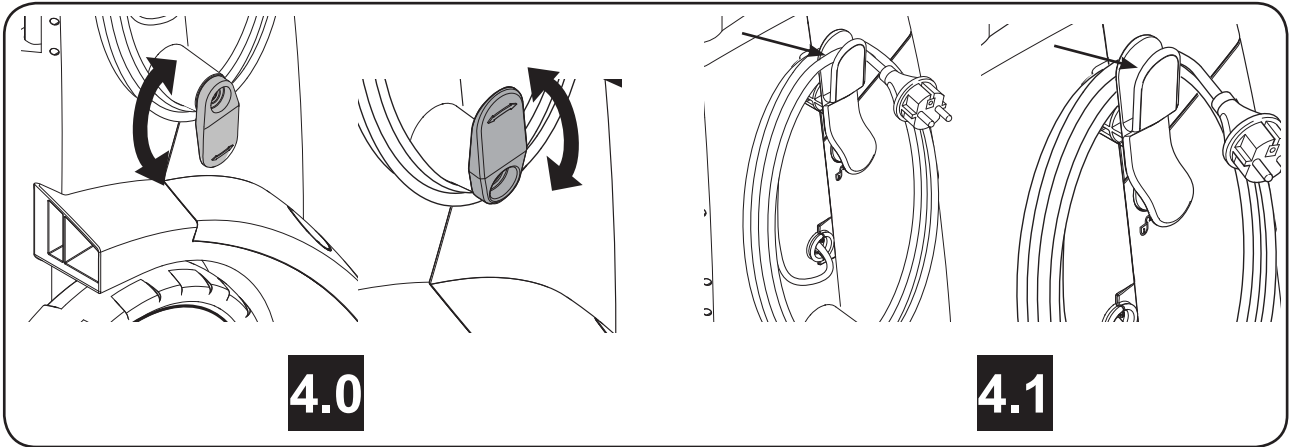


B - MC 3C/MC 4M



C - MC 3C-XT/MC 4M-XT



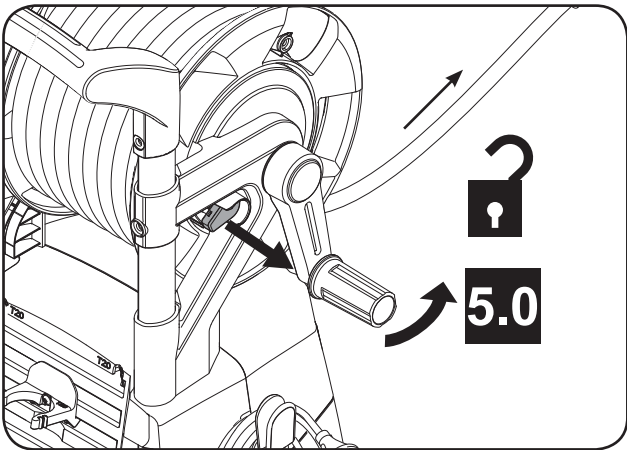


**4.0**

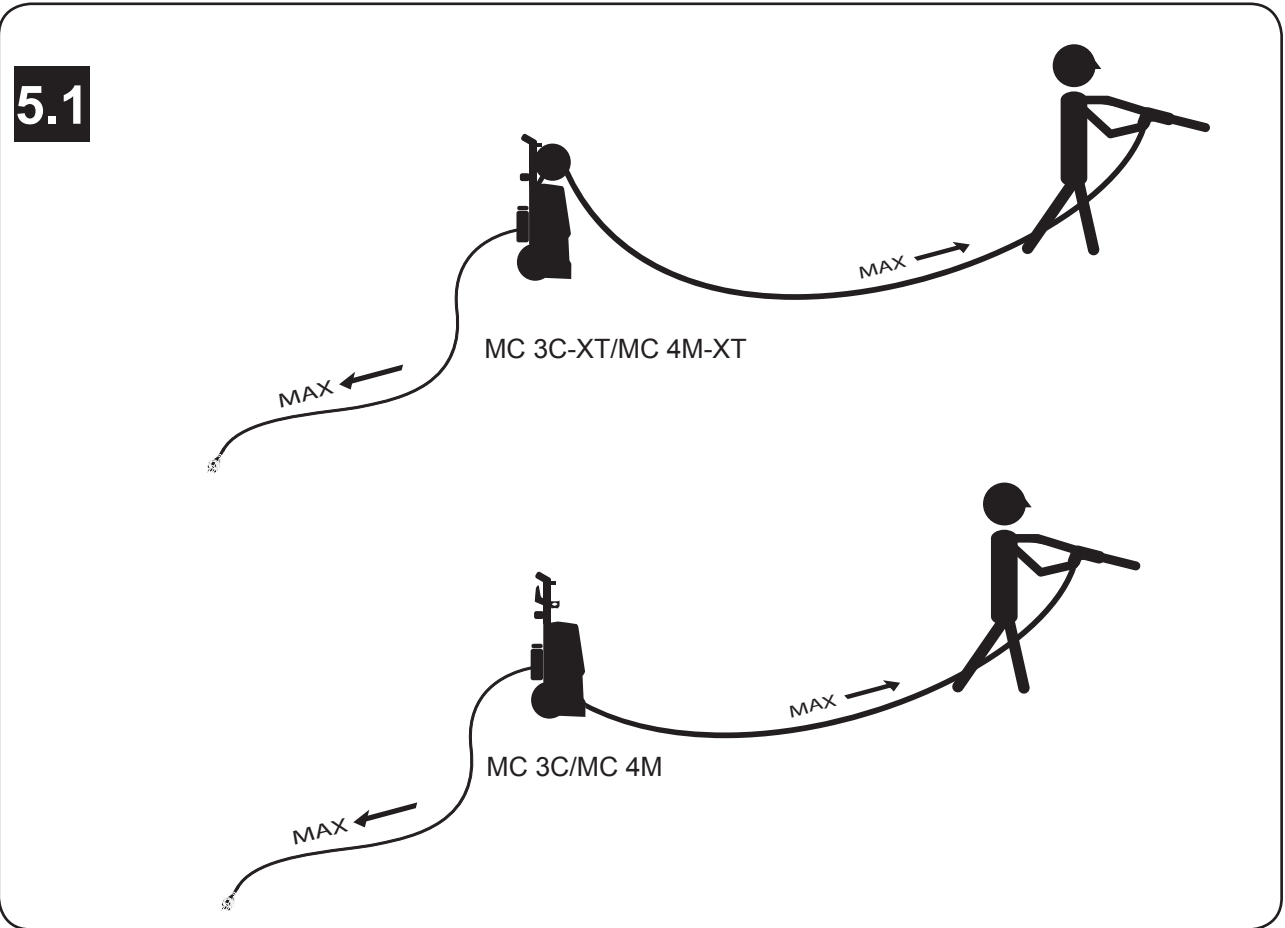
**4.1**

**C - MC 3C-XT/MC 4M-XT**

**C - MC 3C/MC 4M**



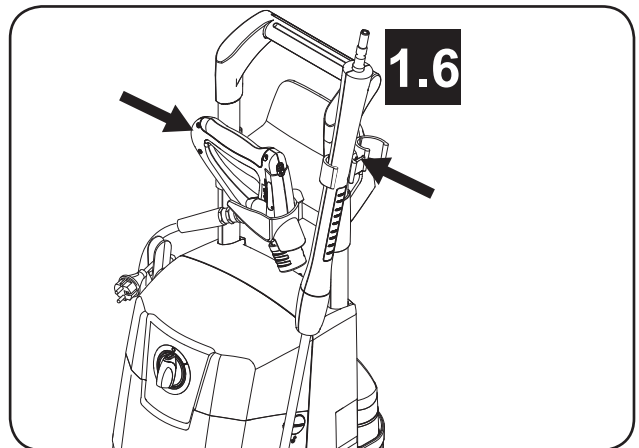
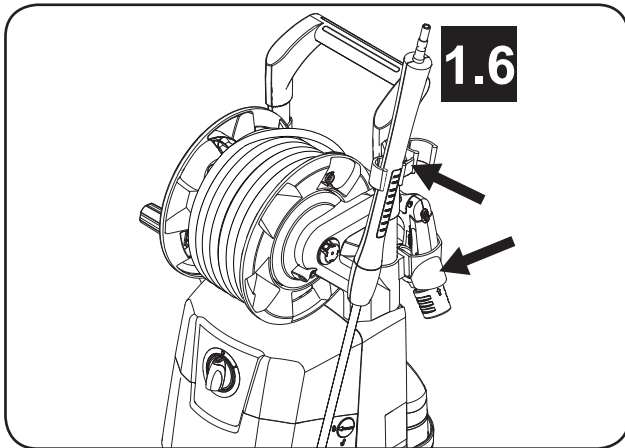
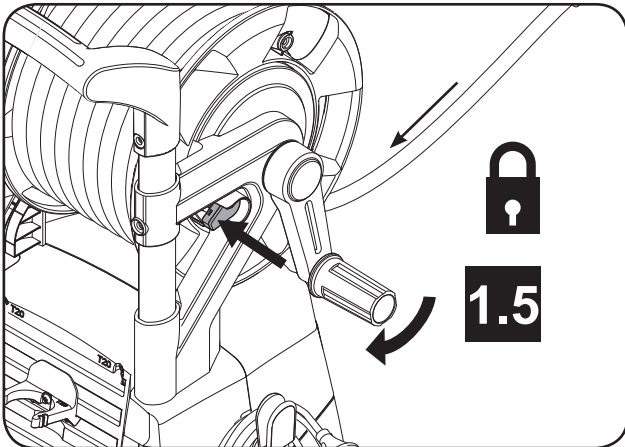
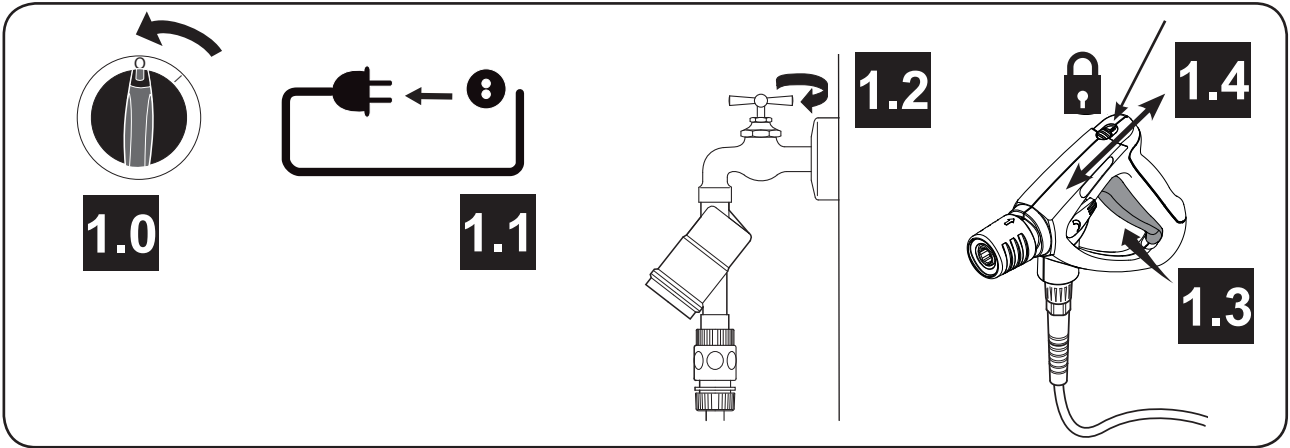
**5.0**

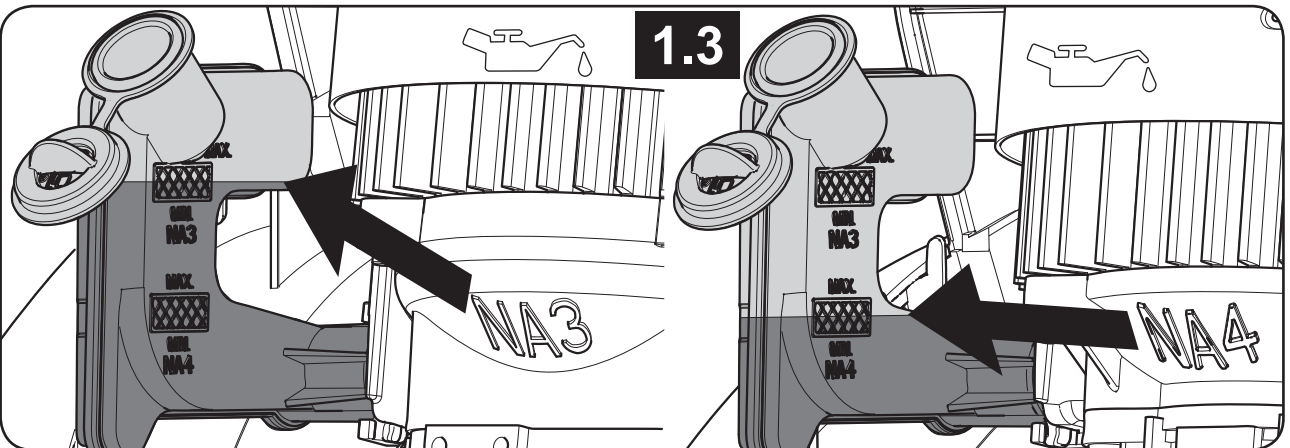
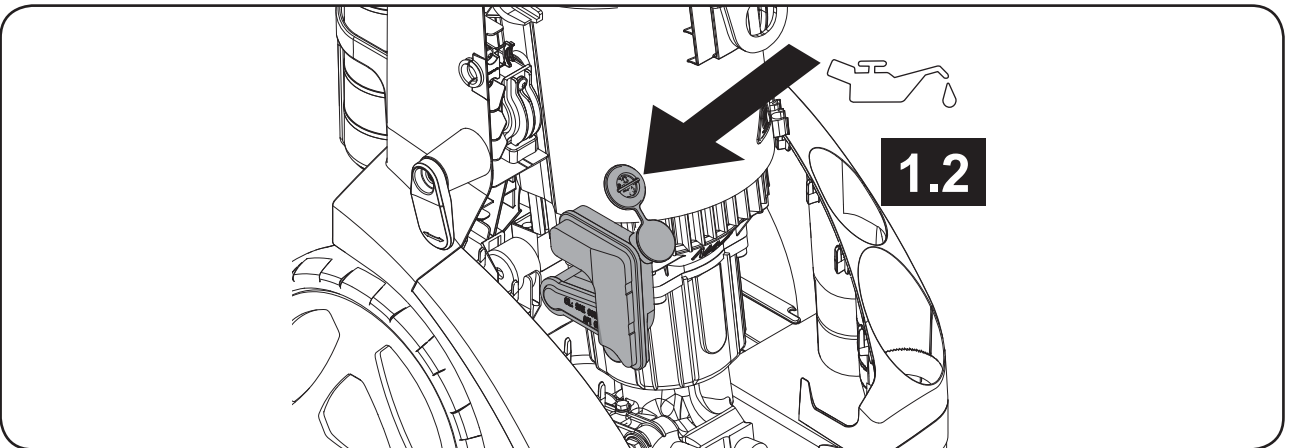
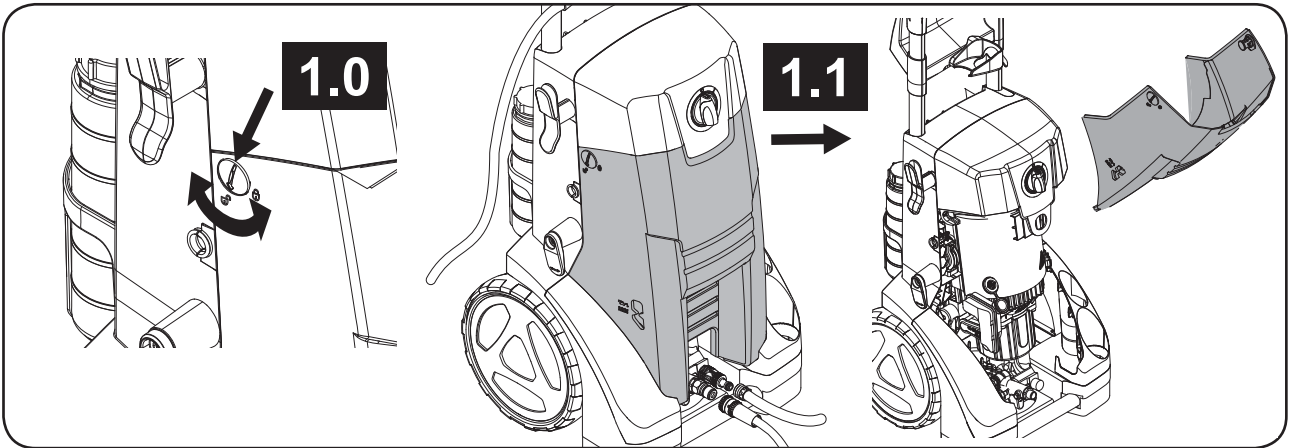


**5.1**

MC 3C-XT/MC 4M-XT

MC 3C/MC 4M







## Quick reference guide

This high pressure washer has been designed for professional use typically in following cleaning applications:

floor/wall, auto/truck, buildings/constructions, container/barrel and craftsman use.

### The pictorial quick reference guide

The pictorial quick reference guide is designed for helping you when starting up, operating and storing the unit. The guide is subdivided into 5 sections.

## A

### Before starting

#### DO READ SAFETY INSTRUCTIONS BEFORE USE!

#### Operating elements:

1. Inlet water connection
2. Nipple for high pressure hose
3. Lifting handle
4. Cabinet
5. Cable release
6. Oil sight
7. On/off switch
8. Handle hose reel\*)
9. Hose reel \*)
10. Lock hose reel\*)
11. Lance
12. Holder for lance
13. Ergo 2000 spray handle
14. Child lock
15. Holder for spray lance\*)
16. Holder with a 2½ l canister \*)
17. Cabinet lock
18. Foam Sprayer \*)
19. Flexo Power lance\*)
20. Placement for lances
21. 4-in-1 lance\*)
22. Cable end fixation
23. Foot kick
24. Holder for Foam Sprayer/Canister lid\*)
25. Hose hook \*)

#### Assembling the unit:

- 1.0 Mount handle on hose reel
- 1.1 Mount filter and Gardena coupling
- 1.2 Mount the seal and 3/8" nipple on high pressure outlet
- 1.3 Connect hoses (water and high pressure hose)
- 1.4 Mount the lance
- 1.5 Connect the electrical cable to mains.

## B

### Switching on the unit

- 1.0 Check oil level (see E1.2)
- 1.1 Open water tap
- 1.2 Switch on the High Pressure Washer
- 1.3 Open child lock at spray handle
- 1.4 Activate spray handle

## C

### Control/operation

#### Using cleaning agents:

- 1.0 Check / clean hole in suction limiter at Foam Sprayer
- 1.1 Mount Foam Sprayer at canister
- 1.2 Set spray angle horizontal/vertical
- 1.3 Activate spray handle.

#### Nozzle selection at 4-in-1 lance (XT models):

- 2.0 Turn nozzle head and choose nozzle

#### Adjust pressure at FlexoPower lance (Standard models):

- 3.0 Turn the blue part of the nozzle head Min./max.

#### Cable unwind and storage:

- 4.0 Turn the cable hook for cable release / storage
- 4.1 Fixate cable end at hose hook after use

#### Hose reel unwind:

- 5.0 Release hose reel lock, and pull out hose
- 5.1 During use, cable and hose MUST be completely unwound

## D

### After using the unit

- 1.0 Switch off the High Pressure Washer
- 1.1 Disconnect from mains
- 1.2 Turn off the water
- 1.3 Release pressure at spray handle
- 1.4 Set child lock
- 1.5 Rewind hose & lock hose reel
- 1.6 Place spray handle and lance in holders

## E

### Maintenance

- 1.0 Unlock cabinet opening cabin locks (use coin or screwdriver)
- 1.1 Remove cabinet
- 1.2 Check / top up with oil to max (SAE 80W-90)
- 1.3 Oil max v.s. pump type MC 3C (NA3) or MC 4M (NA4)

# Operating instructions

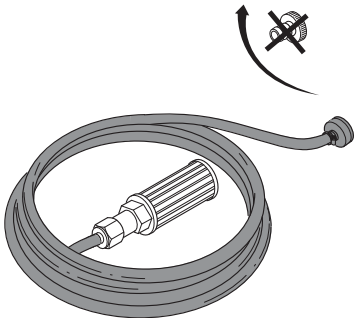
## Troubleshooting MC 3C-MC 4M

Fault	Cause	Remedy
Pressure fluctuations	Air in suction hose.	Fill hose with water and connect again
	Not enough water supply	Stop! Until appropriate water mains or hose reflect pump Qmax
	Water filter is clogged up	Rinse the water filter
	High pressure nozzle blocked/worn	Clean or replace the nozzle with same size
	Suction height exceeded	Stop! until max suction height is present as specified
Foam Sprayer not producing foam	Detergent used is non-foaming	Use only detergents with foaming agent.
	Nozzle on suction hose is clogged up or filled with dried out soap	Rinse detergent limiter / flush with tempered clean water.
	Foam sponge in foam Sprayer is clogged up.	1 Rinse/soak foam Sprayer in tempered water for 8 hours or more 2 Or dismount front of foam Sprayer and exchange/ rinse the SS foam sponge with a new
	Detergent tank empty	Top up detergent tank
Motor does not start or buzzes when switched on	Power cable broken	Contact professional electrician for replacement of power cable
	Plug is not inserted in mains	Insert plug
	Mains fuse is blown	Reset power mains
	Plug has a loose connection to cable	Repair/reassemble plug on cable - skilled electrician
	The pump is blocked or frozen	Stop! Unfreeze pump or contact dealer service department
	The thermal protector is activated	Stop! Cool off machine for at least 5 minutes

## Maintenance plan

	Weekly	First time after 50 operating hours	Every 200 operating hours	As required
Cleaning water filter	A1.1			A1.1
Checking oil level/tip up	B1.0/E1.2			
Changing pump oil		Contact dealer/service dpt.	Contact dealer/service dpt.	

## Special operating instructions

Self-suction		<p>0: Dismount HP hose from the machine.            1: Fill the suction hose with water and connect to High Pressure Washer (Item no. 6400000)            2: Mount suction hose with a hose clamp on the pump inlet.            3: Turn main switch to "I" for few seconds. Repeat turning main switch on and off several times until water comes out of pump.            4: Mount the HP hose, spray handle and lance.            5: Turn main switch to "I".            6: Unlock the spray handle and operate it several times until water coming out without air.</p>
--------------	---	---

Parts needed for suction	Item number
1 x Hose Nozzle 20R 3/4"	61369
1 x Hose 3/4"	Max length 5 mtr
1 x Hose Clamp 3/4"	
1 x Suction Filter with foot-valve	6400000

## EU Declaration of conformity

We,  
 Nilfisk A/S  
 Kornmarksvej 1  
 DK-2605 Broendby  
 DENMARK

Hereby solely declare, that the products:

Product	Description	Type
HPW - Professional - Mobile	230/1/50, 400/3/50, IPX5	MC 4M*, MC 3C*

Are in compliance with the following standards:

EN 60335-1:2012  
 EN 60335-2-79:2012  
 EN 55014-1:2006+A1:2009+A2:2011  
 EN 55014-2:1997+A1:2001+A2:2008  
 EN 61000-3-2:2006+A1:2009+A2:2009  
 EN 61000-3-11:2000  
 EN 50581:2012

Following the provisions of:

Machinery Directive 2006/42/EC  
 EMC Directive 2014/30/EC  
 RoHS Directive 2011/65/EC  
 Noise Emission Directive 2000/14/EC – Conformity assessment procedure according to Annex V.

- Measured noise level [dB]: 83-93  
 - Guaranteed noise level [dB]: 86-94

Hadsund 20-04-2016



Anton Sørensen  
 Senior Vice President – Global R&D

## Specifications

			MC 3C- 150/570 XT 230/1/50/13	MC 3C- 140/570 230/1/50/13	MC 3C- 140/660 230/1/50/16	MC 3C- 150/660 230/1/50/16	MC 3C- 130/660 220/1/60/15	MC 3C- 150/660 XT 230/1/50/16
1			UK 英国	UK 英国	EU 欧盟	EU 欧盟	exp 其他	EU 欧盟
2		V/ph/Hz	230/1/50	230/1/50	230/1/50	230/1/50	220/1/60	230/1/50
3		A	13	13	16	16	15	16
4		kW кВт	3,0	3,0	3,5	3,5	3,5	3,5
5		bar (MPa) Бар (МПа) 巴 (兆帕)	150 (15)	140 (14)	140 (14)	150 (15)	130 (13)	150 (15)
6		l/h л/час 升/小时	520	520	600	600	600	600
7		bar (MPa) Бар (МПа) 巴 (兆帕)	200 (20)	200 (20)	200 (20)	200 (20)	190 (19)	200 (20)
8		l/h	570	570	660	660	660	660
9		°C (°F)	60, >40 max. 1 h. (140, >104 max. 1 h.)					
10		bar (MPa) Бар (МПа) 巴 (兆帕)	10 (1)					
11		m 米	0,5					
12		mm 毫米	382x382x1017					
13		kg кг	38	35,7	35,7	35,7	35,7	38
14	 (IEC 60335-2-69)	dB(A)+/-2 дБ(А)+/-2	78	78	78	78	78	78
15	 (IEC 60335-2-69)	dB(A)+/-2 дБ(А)+/-2	91	91	91	91	91	91
16a		m/s <sup>2</sup> 米/秒 <sup>2</sup>	<2.5	<2.5	<2.5	<2.5	<2.5	<2.5
16b		m/s <sup>2</sup> 米/秒 <sup>2</sup>	<5.5	-	-	-	-	<5.5
17		N	25,0	24,2	27,9	28,9	26,9	28,9
18		l 升	0,42					
19			SAE 80W-90					

## Specifications

			MC 3C- 160/770 400/3/50	MC 3C- 170/820 400/3/50	MC 3C- 170/820 220-440/3/60	MC 3C- 170/820 XT 400/3/50	MC 3C- 170/820 XT 230-400/3/50
1			EU 欧盟	EU 欧盟	exp 其他	EU 欧盟	NO, BE 挪威、比利时
2		V/ph/Hz	400/3/50	400/3/50	220/440/3/60	400/3/50	230/400/3/50
3		A	16	16	15	16	16
4		kW кВт	4,0	4,4	4,4	4,4	4,4
5		bar (MPa) Бар (МПа) 巴 (兆帕)	160 (16)	170 (17)	170 (17)	170 (17)	170 (17)
6		l/h л/час 升/小时	700	750	750	750	750
7		bar (MPa) Бар (МПа) 巴 (兆帕)	200 (20)	200 (20)	200 (20)	200 (20)	200 (20)"
8		l/h	770	820	820	820	820
9		°C (°F)	60, >40 max. 1 h. (140, >104 max. 1 h.)				
10		bar (MPa) Бар (МПа) 巴 (兆帕)	10 (1)				
11		m 米	0,5				
12		mm 毫米	382x382x1017				
13		kg кг	35,7	35,7	35,7	38	38
14	 (IEC 60335-2-69)	dB(A)+/-2 дБ(A)+/-2	81	81	81	81	81
15	 (IEC 60335-2-69)	dB(A)+/-2 дБ(A)+/-2	94	94	94	94	94
16a	 (ISO 5349 a <sub>h</sub> ) 	m/s <sup>2</sup> 米/秒 <sup>2</sup>	<2.5	<2.5	<2.5	<2.5	<2.5
16b	 (ISO 5349 a <sub>h</sub> ) 	m/s <sup>2</sup> 米/秒 <sup>2</sup>	-	-	-	<5.5	<5.5
17		N	34,8	38,4	38,4	38,4	38,4
18		l 升	0,42				
19			SAE 80W-90				

## Specifications

			MC 4M-140/620 230/1/50/13	MC 4M-140/620 230/1/50/13	MC 4M-100/770 230/1/50/13	MC 4M-140/620 XT 230/1/50/13	MC 4M-160/620 230/1/50/16	MC 4M-160/620 230/1/50/16
1			EU 欧盟	UK 英国	UK 英国	UK 英国	EU 欧盟	ZA
2		V/ph/Hz	230/1/50	230/1/50	230/1/50	230/1/50	230/1/50	230/1/50
3		A	13	13	13	13	16	16
4		kW кВт	2,9	2,9	2,8	2,9	3,0	3,0
5		bar (MPa) Бар (МПа) 巴 (兆帕)	140 (14)	140 (14)	100 (10)	140 (14)	160 (16)	160 (16)
6		l/h л/час 升/小时	580	580	720	580	560	560
7		bar (MPa) Бар (МПа) 巴 (兆帕)	200 (20)	200 (20)	150 (15)	200 (20)	200 (20)	200 (20)
8		l/h	620	620	770	620	620	620
9		°C (°F)	60, >40 max. 1 h. (140, >104 max. 1 h.)					
10		bar (MPa) Бар (МПа) 巴 (兆帕)	10 (1)					
11		m 米	0,5					
12		mm 毫米	382x382x1017					
13		kg кг	38,5	38,5	38,5	40,8	38,5	38,5
14	 (IEC 60335-2-69)	$\text{dB(A)} \pm 2$ дБ(A) $\pm 2$	73	73	73	73	73	73
15	 (IEC 60335-2-69)	$\text{dB(A)} \pm 2$ дБ(A) $\pm 2$	86	86	86	86	86	86
16a	 (ISO 5349 a <sub>h</sub> ) 	$\text{m/s}^2$ 米/秒 <sup>2</sup>	<2.5	<2.5	<2.5	<2.5	<2.5	<2.5
16b	 (ISO 5349 a <sub>h</sub> ) 	$\text{m/s}^2$ 米/秒 <sup>2</sup>	-	-	-	<5.5	-	-
17		N	27,0	27,0	28,3	27,0	27,8	27,8
18		l 升	0,39					
19			SAE 80W-90					

## Specifications





			MC 4M-150/620 220/1/60/15	MC 4M-160/620 XT 230/1/50/16	MC 4M-160/720 400/3/50	MC 4M-180/740 400/3/50	MC 4M-180/740 220-440/3/60
1			exp 其他	NO, BE 挪威、比利时	EU 欧盟	EU 欧盟	exp 其他
2		V/ph/Hz	220/1/60	230/1/50	400/3/50	400/3/50	220/440/3/60
3		A	15	16	16	16	15
4		kW кВт	3,0	3,0	3,5	4,0	4,0
5		bar (MPa) Бар (МПа) 巴 (兆帕)	150 (15)	160 (16)	160 (16)	180 (18)	180 (18)
6		l/h л/час 升/小时	560	560	660	660	660
7		bar (MPa) Бар (МПа) 巴 (兆帕)	200 (20)	200 (20)	200 (20)	200 (20)	200 (20)
8		l/h	620	620	720	740	740
9		°C (°F)	60, >40 max. 1 h. (140, >104 max. 1 h.)				
10		bar (MPa) Бар (МПа) 巴 (兆帕)	10 (1)				
11		m 米	0,5				
12		mm 毫米	382x382x1017				
13		kg кг	38,5	40,8	38,5	40	40
14	 (IEC 60335-2-69)	$\text{dB(A)}\pm 2$ $\text{дБ(A)}\pm 2$	73	73	76	76	76
15	 (IEC 60335-2-69)	$\text{dB(A)}\pm 2$ $\text{дБ(A)}\pm 2$	86	86	89	89	89
16a	 (ISO 5349 a <sub>h</sub> ) 	$\text{m/s}^2$ 米/秒 <sup>2</sup>	<2.5	<2.5	<2.5	<2.5	<2.5
16b	 (ISO 5349 a <sub>h</sub> ) 	$\text{m/s}^2$ 米/秒 <sup>2</sup>	-	<5.5	-	-	-
17		N	26,9	27,8	32,8	34,8	34,8
18		l 升	0,39				
19			SAE 80W-90				

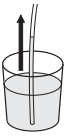




## Specifications

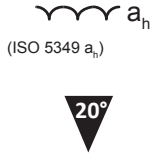
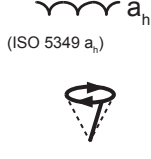



			MC 4M-160/720 200/3/50	MC 4M-160/720 200/3/60	"MC 4M-180/740 XT 400/3/50	MC 4M-180/740 XT 230-400/3/50	MC 4M-150/620 XT 220/1/60/15
1			JP 日本	JP 日本	EU 欧盟	NO, BE 挪威、比利时	exp 其他
2		V/ph/Hz	200/3/50	200/3/60	400/3/50	230/400/3/50	220/1/60
3		A	20	20	16	16	15
4		kW кВт	3,5	3,5	4,0	4,0	3,0
5		bar (MPa) Бар (МПа) 巴 (兆帕)	160 (16)	160 (16)	180 (18)	180 (18)	150 (15)
6		l/h л/час 升/小时	660	660	660	660	560
7		bar (MPa) Бар (МПа) 巴 (兆帕)	200 (20)	200 (20)	200 (20)	200 (20)	200 (20)
8		l/h	720	720	740	740	620
9		°C (°F)	60, >40 max. 1 h. (140, >104 max. 1 h.)				
10		bar (MPa) Бар (МПа) 巴 (兆帕)	10 (1)				
11		m 米	0,5				
12		mm 毫米	382x382x1017				
13		kg кг	38,5	38,5	42,3	42,3	40,8
14	 (IEC 60335-2-69)	dB(A)+/-2 дБ(A)+/-2	76	76	76	76	73
15	 (IEC 60335-2-69)	dB(A)+/-2 дБ(A)+/-2	89	89	89	89	86
16a	 (ISO 5349 a <sub>h</sub> ) 	m/s <sup>2</sup> 米/秒 <sup>2</sup>	<2.5	<2.5	<2.5	<2.5	<2.5
16b	 (ISO 5349 a <sub>h</sub> ) 	m/s <sup>2</sup> 米/秒 <sup>2</sup>	-	-	<5.5	<5.5	<5.5
17		N	32,8	32,8	34,8	34,8	26,9
18		l 升	0,39				
19			SAE 80W-90				



1			<b>EN:</b> Country variant. <b>DE:</b> Ländervarianten. <b>FR:</b> Selon le pays. <b>NL:</b> Nationale variant. <b>IT:</b> Variante per il Paese. <b>NO:</b> Variant i ulike land. <b>SV:</b> Landsvariant. <b>DA:</b> Landespecifik variant. <b>FI:</b> Maakohmainen vaihtelu. <b>ES:</b> Dependé del país. <b>PT:</b> Variante do país. <b>EL:</b> Έκδοση χώρας. <b>TR:</b> Ülke-deki model. <b>SL:</b> Jezikovna različica. <b>HR:</b> Ovisno o zemlji. <b>SK:</b> Vrsta ulja. <b>CS:</b> Varianta země. <b>PL:</b> Wersja dla kraju. <b>HU:</b> Országfüggő modellváltozatok. <b>RO:</b> Varianta țării. <b>BG:</b> Вариант за страната. <b>RU:</b> Региональное исполнение. <b>ET:</b> Riigi variant. <b>LV:</b> Valsts versija. <b>LT:</b> Šaliai skirtas variantas. <b>JA:</b> 国による相違。 <b>ZH:</b> 不同国家 <b>KO:</b> 국가별 모델. <b>TH:</b> แตกต่างกันไปตามประเทศ <b>MS:</b> Variasi negara.
2		V/ph/Hz	<b>EN:</b> Possible voltage. <b>DE:</b> Mögliche Spannung. <b>FR:</b> Tension autorisée. <b>NL:</b> Mogelijke spanning. <b>IT:</b> Possibile voltaggio. <b>NO:</b> Mulig spenning. <b>SV:</b> Möjlig spänning. <b>DA:</b> Spænding. <b>FI:</b> Mahdollinen jännite, V/vaiheluku/taajuus. <b>ES:</b> Tensión admitida. <b>PT:</b> Tensão possível. <b>EL:</b> Πιθανή τάση, V/ph/Frez. <b>TR:</b> Olası voltaj, V/Faz/Frekans. <b>SL:</b> Morebitna napetost. <b>HR:</b> Mogući napon. <b>SK:</b> Možné napätie. <b>CS:</b> Možné napětí. <b>PL:</b> Dopuszczalne napięcie, V/fazy/częst. <b>HU:</b> Tápészültség, V/fázis/frekv. <b>RO:</b> Tensiune posibilă, V/fază/Frecv. <b>BG:</b> Възможно напрежение. <b>RU:</b> Напряжение, В/φ./част. В/φ./Гц. <b>ET:</b> Võimalik pinge, V/faas/sagedus. <b>LV:</b> iespējamais spriegums. <b>LT:</b> Galima įtampa V / F / Frez. <b>JA:</b> 電圧。 <b>ZH:</b> 可能电压 ( V / ph / Fréz ) <b>KO:</b> 허용 전압, 볼트/상/헤르츠. <b>TH:</b> แรงดันไฟฟ้าที่สามารถใช้ได้ <b>MS:</b> Kemungkinan voltan.
3		A	<b>EN:</b> Fuse. <b>DE:</b> Sicherung. <b>FR:</b> Fusible. <b>NL:</b> Zekering. <b>IT:</b> Fusibile. <b>NO:</b> Sikring. <b>SV:</b> Säkring. <b>DA:</b> Sikring. <b>FI:</b> Sulake. <b>ES:</b> Fusible. <b>PT:</b> Fusível. <b>EL:</b> Ασφάλεια. <b>TR:</b> Sigorta. <b>SL:</b> Varovalka. <b>HR:</b> Osigurač. <b>SK:</b> Poistka. <b>CS:</b> Pojistka. <b>PL:</b> Bezpiecznik. <b>HU:</b> Biztosíték. <b>RO:</b> Siguranță. <b>BG:</b> Предпазител. <b>RU:</b> Предохранитель. <b>ET:</b> Kaitse. <b>LV:</b> Drošinātājs. <b>LT:</b> Saugiklis. <b>JA:</b> ヒューズ. <b>ZH:</b> 保险丝. <b>KO:</b> 퓨즈. <b>TH:</b> ฟิวส์. <b>MS:</b> Fius.
4		kW кВт	<b>EN:</b> Power rating. <b>DE:</b> Nennleistung. <b>FR:</b> Puissance nominale. <b>NL:</b> Nominiaal vermogen. <b>IT:</b> Corrente nominale. <b>NO:</b> Nominell effekt. <b>SV:</b> Märkeffekt. <b>DA:</b> Nominel effekt. <b>FI:</b> Tehontarve. <b>ES:</b> Potencia nominal. <b>PT:</b> Classificação de potência. <b>EL:</b> Ονομαστική ισχύς. <b>TR:</b> Elektrik değerleri. <b>SL:</b> Moč. <b>HR:</b> Oznaka napona. <b>SK:</b> Stanovenie výkonu. <b>CS:</b> Jmenovitý výkon. <b>PL:</b> Moc znamionowa. <b>HU:</b> Névleges teljesítmény. <b>RO:</b> Putere nominală. <b>BG:</b> Мощност. <b>RU:</b> Номинальная мощность кВт. <b>ET:</b> Vooluühik. <b>LV:</b> Nominālā jauda. <b>LT:</b> Galia. <b>JA:</b> 定格電力。 <b>ZH:</b> 额定功率. <b>KO:</b> 전원 등급. <b>TH:</b> อัตรากำลังไฟ. <b>MS:</b> Penarafan kuasa.
5		bar (MPa) Бар (МПа) 巴 (兆帕)	<b>EN:</b> Working pressure. <b>DE:</b> Arbeitsdruck. <b>FR:</b> Pression de service. <b>NL:</b> Werkdruk. <b>IT:</b> Pressione di esercizio. <b>NO:</b> Arbeidstrykk. <b>SV:</b> Arbetstryck. <b>DA:</b> Arbejdstryk. <b>FI:</b> Työpaine. <b>ES:</b> Presión de trabajo. <b>PT:</b> Pressão de trabalho. <b>EL:</b> Πίεση λειτουργίας. <b>TR:</b> Çalışma basıncı. <b>SL:</b> Delovni tlak. <b>HR:</b> Radni tlak. <b>SK:</b> Pracovný tlak. <b>CS:</b> Provozní tlak. <b>PL:</b> Ciśnienie robocze. <b>HU:</b> Üzemi nyomás. <b>RO:</b> Presiune de lucru. <b>BG:</b> Работно налягане. <b>RU:</b> Рабочее давление. <b>ET:</b> Töösurve. <b>LV:</b> Darba spiediens. <b>LT:</b> Darbinis slėgis. <b>JA:</b> 動作圧力。 <b>ZH:</b> 工作压力. <b>KO:</b> 작업 압력. <b>TH:</b> แรงดันขณะใช้งาน. <b>MS:</b> Tekanan kerja.
6		l/h л/час 升/小时	<b>EN:</b> Water flow. <b>DE:</b> Wasserdurchsatz. <b>FR:</b> Débit d'eau. <b>NL:</b> Waterdoorstroming. <b>IT:</b> Flusso dell'acqua. <b>NO:</b> Vanntilførsel. <b>SV:</b> Vattenflöde. <b>DA:</b> Vandmængde. <b>FI:</b> Vedenvirtaus. <b>ES:</b> Flujo de agua. <b>PT:</b> Fluxo de água. <b>EL:</b> Ροή νερού. <b>TR:</b> Su akışı. <b>SL:</b> Pretok vode. <b>HR:</b> Regulacija protoka vode. <b>SK:</b> Prietok vody. <b>CS:</b> Průtok vody. <b>PL:</b> Przepływ wody. <b>HU:</b> Vízfolyás. <b>RO:</b> Debit apă. <b>BG:</b> Воден поток. <b>RU:</b> Расход воды. <b>ET:</b> Veevool. <b>LV:</b> Ūdens plūsma. <b>LT:</b> Vandens srautas. <b>JA:</b> 流水. <b>ZH:</b> 水流量. <b>KO:</b> 급수량. <b>TH:</b> การไหลของน้ำ. <b>MS:</b> Aliran air.

7		bar (MPa) Бар (МПа) 巴 (兆帕)	<p><b>EN:</b> Max. water pressure. <b>DE:</b> Max Wasserdruck. <b>FR:</b> Pression d'eau maximale. <b>NL:</b> Max. waterdruk. <b>IT:</b> Max. pressione dell'acqua. <b>NO:</b> Maks. vanntrykk. <b>SV:</b> Max vattentryck. <b>DA:</b> Max. vandtryk. <b>FI:</b> Suurin vedenpaine. <b>ES:</b> Presión máxima de entrada del agua. <b>PT:</b> Pressão máxima de água. <b>EL:</b> Μέγ. πίεση νερού. <b>TR:</b> Maks. su basıncı. <b>SL:</b> Najv. vodni tlak. <b>HR:</b> Maksimalni tlak vode. <b>SK:</b> Maximálny tlak vody. <b>CS:</b> Max. tlak vody. <b>PL:</b> Maks. ciśnienie wody. <b>HU:</b> Max. víznyomás. <b>RO:</b> Presiune max. apă. <b>BG:</b> Макс. налягане на водата. <b>RU:</b> Макс. давление воды. <b>ET:</b> Max veesurve. <b>LV:</b> Maks. ūdens spiediens. <b>LT:</b> Maks. vandens slėgis. <b>JA:</b> 最高水圧 <b>ZH:</b> 最大水圧 <b>KO:</b> 최대 수압. <b>TH:</b> ความดันน้ำสูงสุด <b>MS:</b> Tekanan air maksimum.</p>
8		l/h	<p><b>EN:</b> Water flow <b>DE:</b> Wasserdurchsatz. <b>FR:</b> Débit d'eau. <b>NL:</b> Waterdoorstroming. <b>IT:</b> Flusso dell'acqua. <b>NO:</b> Vanntilførsel. <b>SV:</b> Vattenflöde. <b>DA:</b> Vandmængde. <b>FI:</b> Vedevirtaus. <b>ES:</b> Flujo de agua. <b>PT:</b> Fluxo de água. <b>EL:</b> Ποή νερού. <b>TR:</b> Su akışı. <b>SL:</b> Pretok vode. <b>HR:</b> Protok vode. <b>SK:</b> Prietok vody. <b>CS:</b> Průtok vody. <b>PL:</b> Przepływ wody. <b>HU:</b> Vízátfolyás. <b>RO:</b> Debit apă. <b>BG:</b> Воден поток. <b>RU:</b> Расход воды. <b>ET:</b> Veevool. <b>LV:</b> Ūdens plūsma. <b>LT:</b> Vandens srautas. <b>JA:</b> 流水. <b>ZH:</b> 水流量 <b>KO:</b> 급수량. <b>TH:</b> การไหลของน้ำ <b>MS:</b> Aliran air.</p>
9		°C (°F)	<p><b>EN:</b> Max water inlet temperature, Intake-Pressure operation. <b>DE:</b> Max Wassereinlasstemperatur - Druckbetrieb. <b>FR:</b> Température max. de l'entrée d'eau en mode admission/pression. <b>NL:</b> Max. Waterinlaattemperatuur Inlaat-Tijdens. Bedrijf. <b>IT:</b> Temperatura max. alimentazione acqua Funzionamento a ingressopressione. <b>NO:</b> Maks. temperatur vanninntak, Inntakstrykk drift. <b>SV:</b> Max ingående vattentemperatur inlopps-tryckdrift. <b>DA:</b> Maks. vandtilgangstemperatur, tilgangstrykdrift. <b>FI:</b> Tuloveden suurin lämpötila, käytettäessä painepesurina. <b>ES:</b> Temperatura y presión máxima de entrada del agua. <b>PT:</b> Temperatura máxima de entrada de água, Funcionamento da pressão de entrada. <b>EL:</b> Μεγ. θερμοκρασία εισόδου νερού-λειτουργίας πίεσης. <b>TR:</b> Maks. su girişi sıcaklığı Emme-Basınçlı çalışma. <b>SL:</b> Najv. vstopna temperatura vode, vstopni tlak pri delovanju. <b>HR:</b> Maks. temperatura ulazne vode, tlak pri usisavanju. <b>SK:</b> Max. vstupná teplota vody, Prevádzka v nasávacom režime pod tlakom. <b>CS:</b> Max. teplota vody na vstupu, provozní sací tlak. <b>PL:</b> Maks. temperatura na dopływie wody z instalacji wodociągowej. <b>HU:</b> Max. bemenő vízhőmérséklet Szívónyomásos üzem. <b>RO:</b> Temperatura max. de admisie apă în cazul alimentării de la robinet. <b>BG:</b> Макс. температура на входящата вода – работа в режим на засмукване. <b>RU:</b> Макс. температура воды на входе (всасывание/подача под давлением). <b>ET:</b> Max vee sisselasketemperatuur Sissevoturõhk töö ajal. <b>LV:</b> Maks. ūdens ieplūdes temperatūra ieplūdes-spiediena darbībā. <b>LT:</b> Didžiausia vandens paėmimo temperatūra, veikimas esant įėjimo slėgiui. <b>JA:</b> 最高流入水温度、吸気圧力動作. <b>ZH:</b> 进水压力操作时的最高进水水温 <b>KO:</b> 최대 급수 온도 주입/압력 작동. <b>TH:</b> อุณหภูมิน้ำเข้าสูงสุด ความดันในการใช้งานบริเวณทางเข้า <b>MS:</b> Suhu maksimum air masuk, Kemasukan-Operasi tekanan.</p>
10		bar (MPa) Бар (МПа) 巴 (兆帕)	<p><b>EN:</b> Max. water inlet pressure. <b>DE:</b> Max. Wassereinlassdruck. <b>FR:</b> d'eau en mode admission/pression. <b>NL:</b> Max. waterinlaatdruk. <b>IT:</b> Pressione max. alimentazione acqua. <b>NO:</b> Maks. trykk vanninntak. <b>SV:</b> Max tryck för vatteninlopp. <b>DA:</b> Maks. Vandtilgangstryk. <b>FI:</b> Tuloveden suurin paine. <b>ES:</b> Presión máxima de entrada del agua. <b>PT:</b> Pressão máxima de entrada de água. <b>EL:</b> Μέγ. πίεση εισόδου νερού. <b>TR:</b> Maks. su girişi basıncı. <b>SL:</b> Najv. tlak dovoda vode. <b>HR:</b> Maks. tlak ulazne vode. <b>SK:</b> Max. vstupný tlak vody. <b>CS:</b> Max. tlak vody na vstupu. <b>PL:</b> Maks. ciśnienie na dopływie wody. <b>HU:</b> Max. bemenő nyomás. <b>RO:</b> Presiunea max. de alimentare cu apă. <b>BG:</b> Макс. налягане на входяща вода. <b>RU:</b> Макс. давление воды на входе. <b>ET:</b> Maks vee sissevoolusurve. <b>LV:</b> Maks. ūdens spiediens. <b>LT:</b> Didžiausias vandens paėmimo slėgis. <b>JA:</b> 最高流入水圧. <b>ZH:</b> 最大进水压力 <b>KO:</b> 최고 급수 압력. <b>TH:</b> ความดันน้ำเข้าสูงสุด <b>MS:</b> Tekanan maksimum air masuk.</p>

11		m 米	<p><b>EN:</b> Max dry suction height. <b>DE:</b> Max. Trockensaughöhe. <b>FR:</b> Hauteur d'aspiration à sec max. <b>NL:</b> Max. droge aanzuighoogte. <b>IT:</b> Altezza massima di aspirazione secco. <b>NO:</b> Maks. sugehøyde tørr. <b>SV:</b> Max torr-sugningshöjd. <b>DA:</b> Maks. sugehøjde, tør. <b>FI:</b> Suurin kuivaimukorkeus. <b>ES:</b> Altura máxima de succión en seco. <b>PT:</b> Altura de aspiração a seco máx. <b>EL:</b> Μέγ. ύψος αναρρόφησης. <b>TR:</b> Maks. Kuru emme yüksekliği. <b>SL:</b> Najv. višina suhega vsesavanja. <b>HR:</b> Maks. visina pri suhom usisavanju. <b>SK:</b> Max. suchá nasávacia výška. <b>CS:</b> Max. sací výška nasucho. <b>PL:</b> Maks. wysokość ssania na sucho. <b>HU:</b> Max. száraz szívómagasság. <b>RO:</b> Înălțime max. de aspirare în cazul alimentării cu apă dintr-un recipient. <b>BG:</b> Макс. височина на сухо засмукване. <b>RU:</b> Макс. высота всасывания. <b>ET:</b> Max kuivimu kõrgus. <b>LV:</b> Maks. sausās sūkšanas augstums. <b>LT:</b> Maksimalus sausas įsiurbimo aukštis. <b>JA:</b> 最大乾燥吸込高さ。 <b>ZH:</b> 最大干吸高度 米 <b>KO:</b> 최대 건조 흡입 높이. <b>TH:</b> ความสูงของท่อดูดแห้งสูงสุด <b>MS:</b> Ketinggian maksimum sedutan kering.</p>
12		mm 毫米	<p><b>EN:</b> Dimensions LxWxH. <b>DE:</b> Masse LxBxH. <b>FR:</b> Dimensions l x p x h. <b>NL:</b> Afmetingen LxBxH. <b>IT:</b> Dimensioni, lun. x larg. x alt. <b>NO:</b> Mål LxBxH. <b>SV:</b> Dimensioner LxBxH. <b>DA:</b> Mål LxBxH. <b>FI:</b> Mitat, PxLxK. <b>ES:</b> Dimensiones l x a x al. <b>PT:</b> Dimensões, C x L x A. <b>EL:</b> Διαστάσεις, Μ x Π x Υ. <b>TR:</b> Boyutlar, u x g x y. <b>SL:</b> Mere D x Š x V. <b>HR:</b> Dimenzije DxŠxV. <b>SK:</b> Rozmery D x Š x V. <b>CS:</b> Rozměry d x š x v. <b>PL:</b> Wymiary długość x szer. x wys. <b>HU:</b> Méretek H x Sz x M. <b>RO:</b> Dimensiuni. L x l x î. <b>BG:</b> Размери Д x Ш x В. <b>RU:</b> Размеры, Дл. x Шир. x Выс. <b>ET:</b> Mõõtmed p x l x k. <b>LV:</b> Izmēri G x P x A. <b>LT:</b> Matmenys (i x p x a). <b>JA:</b> 外形寸法長さx幅x高さ。 <b>ZH:</b> 尺寸 (长x宽x高) 毫米 <b>KO:</b> 크기(l x w x h). <b>TH:</b> ขนาด ยาว x กว้าง x สูง <b>MS:</b> Dimensi LxWxH.</p>
13		kg кг	<p><b>EN:</b> Weight. <b>DE:</b> Gewicht. <b>FR:</b> Poids du nettoyeur. <b>NL:</b> Gewicht van de hogedrukreiniger. <b>IT:</b> Peso dell'idropulitrice. <b>NO:</b> Vekt høytrykksvasker. <b>SV:</b> Maskinens vikt. <b>DA:</b> Vægt. <b>FI:</b> Pelkän painepesurin paino. <b>ES:</b> Peso del limpiador. <b>PT:</b> Peso da máquina de limpeza. <b>EL:</b> Βάρος μηχανήματος καθαρισμού. <b>TR:</b> Temizlik makinesinin yüksekliği. <b>SL:</b> Masa. <b>HR:</b> Težina. <b>SK:</b> Hmotnosť. <b>CS:</b> Hmotnost čisticího stroje. <b>PL:</b> Ciężar myjki. <b>HU:</b> Tisztítógép tömege. <b>RO:</b> Greutatea aparatului. <b>BG:</b> Тегло. <b>RU:</b> Вес моечной машины. <b>ET:</b> Pesuri kaal. <b>LV:</b> Tīrītāja svars. <b>LT:</b> Valymo įrenginio svoris. <b>JA:</b> 重量。 <b>ZH:</b> 清洗机重量 <b>KO:</b> 세척기 무게. <b>TH:</b> น้ำหนัก <b>MS:</b> Berat.</p>
14	 (IEC 60335-2-69)	dB(A) +/-2 дБ(A) +/-2	<p><b>EN:</b> Sound pressure level <math>L_{PA}</math>. <b>DE:</b> Schalldruckpegel <b>FR:</b> Niveau de pression acoustique <b>NL:</b> Geluidsdrukniveau <b>IT:</b> Livello pressione sonora <b>NO:</b> Lydtrykknivå <b>SV:</b> Ljudtrycksnivå <b>DA:</b> Lydtryksniveau <b>FI:</b> Äänenpainetaso <b>ES:</b> Nivel de presión sonora <b>PT:</b> Nível de pressão acústica <b>EL:</b> Επίπεδο πίεσης ήχου <b>TR:</b> Göre ses basıncı seviyesi <b>SL:</b> Raven zvočnega tlaka. <b>HR:</b> Razina zvučnog tlaka. <b>SK:</b> Hladina zvukového. <b>CS:</b> Hladina akustického tlaku <b>PL:</b> Poziom ciśnienia akustycznego <b>HU:</b> Hangnyomásszint <b>RO:</b> Nivel de presiune acustică <b>BG:</b> Ниво на звуково налягане <b>RU:</b> Уровень шума <b>ET:</b> Helisurve tase <b>LV:</b> Akustiskā spiediena līmenis <b>LT:</b> Garso slėgio lygis <b>JA:</b> 音圧レベル <b>ZH:</b> 声压级 <b>KO:</b> 음압 레벨 <b>TH:</b> ระดับความดันเสียง <b>MS:</b> Tahap tekanan bunyi</p>
15	 (IEC 60335-2-69)	dB(A) +/-2 дБ(A) +/-2	<p><b>EN:</b> Sound power level <math>L_{WA}</math>. <b>DE:</b> Schallleistungspegel <b>FR:</b> Niveau de puissance acoustique <b>NL:</b> Geluidsvermogeniveau <b>IT:</b> Livello potenza sonora <b>NO:</b> Lydeffektnivå <b>SV:</b> Ljudeffektnivå <b>DA:</b> Lydeffektniveau <b>FI:</b> Äänen tehotaso <b>ES:</b> Potencia acústica <b>PT:</b> Nível de potência acústica <b>EL:</b> Επίπεδο ισχύος ήχου <b>TR:</b> Göre ses basıncı seviyesi <b>SL:</b> Raven moči zvoka. <b>HR:</b> Razina jakosti. <b>SK:</b> Hladina zvukového výkonu. <b>CS:</b> Hladina akustického výkonu <b>PL:</b> Poziom mocy akustycznej <b>HU:</b> Hangteljesítmény szint <b>RO:</b> Nivelul de putere acustică <b>BG:</b> Ниво на звукова мощност <b>RU:</b> Уровень звуковой мощности <b>ET:</b> Helivõimsuse tase <b>LV:</b> Akustiskās jaudas līmenis <b>LT:</b> Garso galios lygis <b>JA:</b> 音響パワーレベル <b>ZH:</b> 声功率级 <b>KO:</b> 소음 레벨 <b>TH:</b> ระดับกำลังเสียง <b>MS:</b> Tahap kuasa bunyi</p>

16a		$m/s^2$ 米/秒 <sup>2</sup>	<b>EN:</b> Vibration. <b>DE:</b> Vibrationen <b>FR:</b> Vibration <b>NL:</b> Vibratie <b>IT:</b> Vibrazioni <b>NO:</b> Vibrasjoner <b>SV:</b> Vibration <b>DA:</b> Vibration <b>FI:</b> Tärinäarvot <b>ES:</b> Vibración <b>PT:</b> Vibração <b>EL:</b> Δόνηση <b>TR:</b> Titreşimi <b>SL:</b> Vibracije. <b>HR:</b> Vibracije. <b>SK:</b> Vibrácie. <b>CS:</b> Vibrace <b>PL:</b> Drgania <b>HU:</b> Vibráció <b>RO:</b> Vibrații <b>BG:</b> Вибрации. <b>RU:</b> Вибрация <b>ET:</b> vibratsioon <b>LV:</b> vibrācija <b>LT:</b> Vibracijos <b>JA:</b> 振動。 <b>ZH:</b> 振动 <b>KO:</b> 진동 <b>TH:</b> แรงสั่นสะเทือน <b>MS:</b> Getaran.
16b		$m/s^2$ 米/秒 <sup>2</sup>	<b>EN:</b> Vibration. <b>DE:</b> Vibrationen <b>FR:</b> Vibration <b>NL:</b> Vibratie <b>IT:</b> Vibrazioni <b>NO:</b> Vibrasjoner <b>SV:</b> Vibration <b>DA:</b> Vibration <b>FI:</b> Tärinäarvot <b>ES:</b> Vibración <b>PT:</b> Vibração <b>EL:</b> Δόνηση <b>TR:</b> Titreşimi <b>SL:</b> Vibracije. <b>HR:</b> Vibracije. <b>SK:</b> Vibrácie. <b>CS:</b> Vibrace <b>PL:</b> Drgania <b>HU:</b> Vibráció <b>RO:</b> Vibrații <b>BG:</b> Вибрации. <b>RU:</b> Вибрация <b>ET:</b> vibratsioon <b>LV:</b> vibrācija <b>LT:</b> Vibracijos <b>JA:</b> 振動。 <b>ZH:</b> 振动 <b>KO:</b> 진동 <b>TH:</b> แรงสั่นสะเทือน <b>MS:</b> Getaran.
17		N	<b>EN:</b> Recoil forces, lance. <b>DE:</b> Rückstoßkraft, Sprühhrohr <b>FR:</b> Forces de recul, lance <b>NL:</b> Terugslagkracht, lans <b>IT:</b> Forze di rinculo, lancia <b>NO:</b> Rekylkraft, lanse <b>SV:</b> Rekylkraft, spolrör <b>DA:</b> Rekylkraft, dyserør <b>FI:</b> Rekyylivoimat, suutin <b>ES:</b> Fuerzas de retroceso, lanza <b>PT:</b> Forças de retrocesso, lança <b>EL:</b> Δυνάμεις οπισθοδρόμησης, διάταξη ψεκασμού χη. <b>TR:</b> Sarmal kuvvetler, boru <b>SL:</b> Povratne sile, šoba. <b>HR:</b> Trzajne sile, mlaznica. <b>SK:</b> Spätný odraz, štandardná striekacia rúra. <b>CS:</b> Síly zpětného rázu, násadec <b>PL:</b> Siły odrzutu, lanca <b>HU:</b> Visszaható erő, szórócső <b>RO:</b> Forțe de recul, tija <b>BG:</b> Сили на откат, крайник. <b>RU:</b> Сила отдачи (распылитель). <b>ET:</b> Tagasilöögi jõud, otsik <b>LV:</b> Atsitiena spēks, smidzinātājs <b>LT:</b> Atatrankos jėga, antgalis <b>JA:</b> 反跳力、ランス。 <b>ZH:</b> 反冲力 ( 喷杆 ) <b>KO:</b> 반동력, 랜스 <b>TH:</b> แรงสะท้อนถอยหลัง, ปลายทอ <b>MS:</b> Kuasa sentakan, lans.
18		升	<b>EN:</b> Oil quantity. <b>DE:</b> Ölmenge. <b>FR:</b> Quantité d'huile. <b>NL:</b> Hoeveelheid olie. <b>IT:</b> Quantità olio. <b>NO:</b> Oljemengde. <b>SV:</b> Oljemängd. <b>DA:</b> Oliemængde. <b>FI:</b> Öljymäärä. <b>ES:</b> Cantidad de aceite. <b>PT:</b> Quantidade de óleo. <b>EL:</b> Ποσότητα λαδιού. <b>TR:</b> Yağ miktarı. <b>SL:</b> Količina olja. <b>HR:</b> Količina ulja. <b>SK:</b> Množstvo oleja. <b>CS:</b> Množství oleje. <b>PL:</b> Objętość oleju. <b>HU:</b> Olajmennyiség. <b>RO:</b> Cantitate de ulei. <b>BG:</b> Количество на маслото. <b>RU:</b> Количество масла. <b>ET:</b> Õli kogus. <b>LV:</b> Eļļas daudzums. <b>LT:</b> Tepalo kiekis. <b>JA:</b> オイル量。 <b>ZH:</b> 油量升 <b>KO:</b> 오일량 <b>TH:</b> ปริมาณน้ำมัน <b>MS:</b> Kuantiti minyak.
19			<b>EN:</b> Oil type. <b>DE:</b> Öltyp. <b>FR:</b> Type d'huile. <b>NL:</b> Olietype. <b>IT:</b> Tipo olio. <b>NO:</b> Oljetype. <b>SV:</b> Typ av olja. <b>DA:</b> Olietype. <b>FI:</b> Öljyn tyyppi. <b>ES:</b> Tipo de aceite. <b>PT:</b> Tipo de óleo. <b>EL:</b> Τύπος λαδιού. <b>TR:</b> Yağ tipi. <b>SL:</b> Vrsta olja. <b>HR:</b> Vrsta ulja. <b>SK:</b> Typ oleja. <b>CS:</b> Typ oleje. <b>PL:</b> Typ oleju. <b>HU:</b> Olaj típusa. <b>RO:</b> Tip de ulei. <b>BG:</b> Тип на маслото. <b>RU:</b> Тип масла. <b>ET:</b> Õli tüüp. <b>LV:</b> Eļļas tips. <b>LT:</b> Tepalo tipas. <b>JA:</b> オイルの種類。 <b>ZH:</b> 油型 <b>KO:</b> 오일 유형 <b>TH:</b> ประเภทน้ำมัน <b>MS:</b> Jenis minyak.

20

**EN:** Specifications and details are subject to change without prior notice. **DE:** Technische Daten und Details des Geräts können sich ohne vorherige Ankündigung ändern. **FR:** Ces spécifications et détails sont susceptibles d'être modifiés sans préavis. **NL:** Specificaties en details kunnen zonder voorafgaande waarschuwing worden gewijzigd. **IT:** Specifiche e dettagli sono soggetti a modifiche senza preavviso. **NO:** Spesifikasjonene og detaljene er gjenstand for endringer uten forutgående varsel. **SV:** Specifikationer och information kan ändras utan föregående meddelande. **DA:** Ret til ændringer i konstruktion og specifikationer forbeholdes. **FI:** Rakenteeseen ja teknisiin tietoihin voidaan tehdä muutoksia ilmoittamatta niistä ennalta. **ES:** Las especificaciones y los datos están sujetos a cambios sin previo aviso. **PT:** As especificações e os detalhes estão sujeitos a alterações sem aviso prévio. **EL:** Τα τεχνικά χαρακτηριστικά και οι λεπτομέρειες υπόκεινται σε αλλαγές χωρίς προηγούμενη ειδοποίηση. **TR:** Özellikler ve ayrıntılar, önceden haber verilmeden değiştirilebilir. **SL:** Tehnični podatki in podrobnosti se lahko spremenijo brez predhodnega obvestila. **HR:** Specifikacije i detalji mogu se mijenjati bez prethodne najave. **SK:** Špecifikácie a podrobnosti sa môžu meniť bez predchádzajúceho upozornenia. **CS:** Technické údaje a detaily mohou být změněny i bez předchozího upozornění. **PL:** Specyfikacje i parametry mogą zostać zmienione bez uprzedzenia. **HU:** A műszaki adatok és részletek előzetes értesítés nélkül megváltozhatnak. **RO:** Specificațiile și detaliile pot fi modificate fără înștiințare prealabilă. **BG:** Спецификациите и детайлите подлежат на промяна без предварително уведомление. **RU:** Технические характеристики и данные могут изменяться без предварительного извещения. **ET:** Tehnilisi kirjeldusi ja üksikasju võidakse muuta eelneva etteteatamiseta. **LV:** Specifikācijas un detaļas var tikt mainītas bez iepriekšēja paziņojuma. **LT:** Konstrukcija ir specifikacijos gali keistis be išankstinio įspėjimo. **JA:** 仕様および情報は事前通知無しに変更する場合があります。 **ZH:** 规格和详情如有变更，恕不另行通知。 **KO:** 사양 및 내용은 예고없이 변경될 수 있습니다. **TH:** ข้อกำหนดเฉพาะและรายละเอียดสามารถเปลี่ยนแปลงได้โดยไม่ต้องแจ้งให้ทราบล่วงหน้า **MS:** Spesifikasi dan butiran adalah tertakluk kepada perubahan tanpa notis terlebih dahulu.

