

TARA ULTRA Single-lever mixer for rinsing/Profi spray - Champagne (22kt Gold)

TARA ULTRA

33 826 875



- 241mm projection
- pivotable spout 360°
- air-enriched flow
- height of mixer 393 mm
- height up to aerator 240 mm
- single-lever mixer hole diameter 35mm
- max. flow 8 l/min at 3 bar flow pressure
- lead-free
- This product can help a building meet the requirements of Green Building Rating Systems, e.g. LEED®, BREEAM®, DGNB

Single-lever mixer for combining with rinsing/Profi spray only

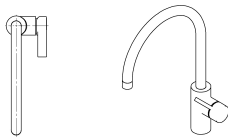
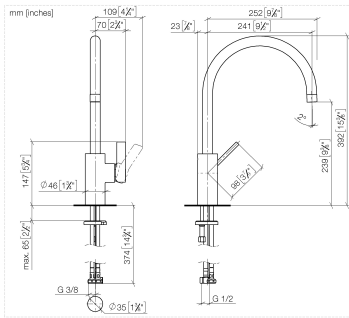
	Champagne (22kt Gold)	33 826 875-47
	Chrome	33 826 875-00
	Brushed Platinum	33 826 875-06
	Platinum	33 826 875-08
	Durabronze (23kt Gold)	33 826 875-09
	Dark Chrome	33 826 875-19
	Brushed Durabronze (23kt Gold)	33 826 875-28
	Matte Black	33 826 875-33
	Brushed Champagne (22kt Gold)	33 826 875-46
	Brushed Chrome	33 826 875-93
	Brushed Dark Platinum	33 826 875-99

Required miscellaneous

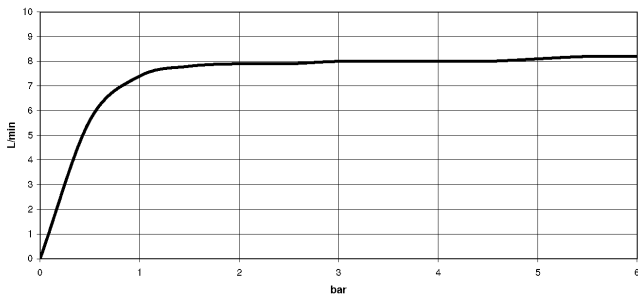


Rinsing spray set - Champagne (22kt Gold) 27 721 970-47

33 826 875



Flow rate chart



Codes & Standards

DIN 4109

ISO 3822

Ü-Zeichen



TARA ULTRA Single-lever mixer for rinsing/Profi spray - Champagne (22kt Gold)

TARA ULTRA

33 826 875
Certificates

LGA_18



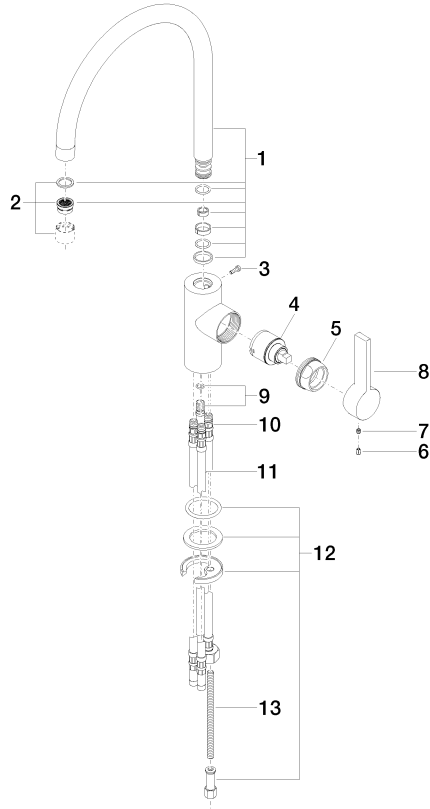
TARA ULTRA Single-lever mixer for rinsing/Profi spray - Champagne (22kt Gold)

TARA ULTRA

33 826 875

Product version from 6/1/2022

Parts for other finishes can be found here: [Chrome](#)





TARA ULTRA Single-lever mixer for rinsing/Profi spray - Champagne (22kt Gold)

TARA ULTRA

33 826 875

Spare parts list

Product version from 6/1/2022