

Collection

BATLÒ

Article

BI392

Description

Three holes washbasin short spout complete of automatic pop-up

Box Dimensions

370 x 270 x 80 mm

Weight

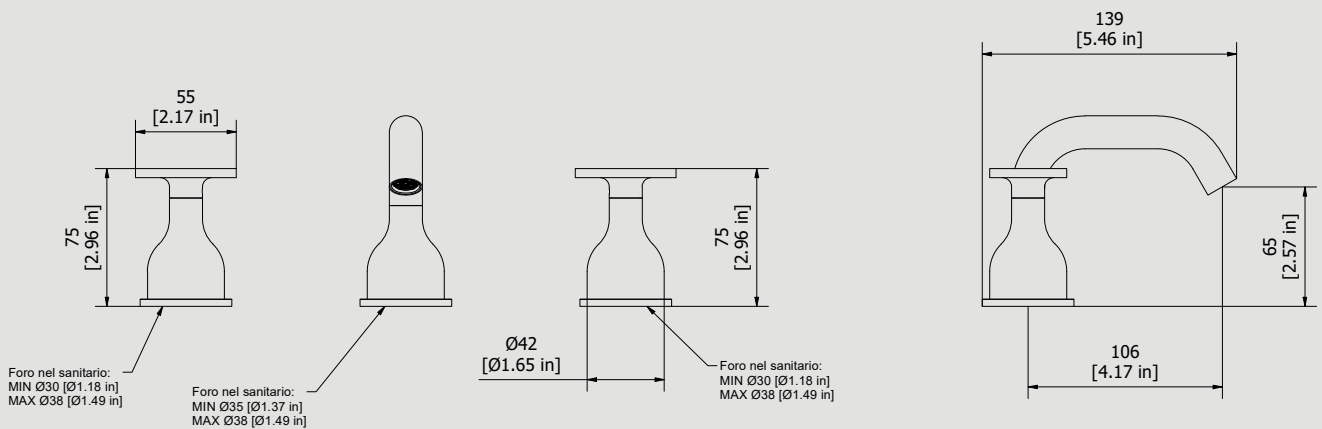
3 kg

Finishes

- CC**
CHROME
- CF**
BLACK CHROME
- BG**
GLOSSY WHITE
- NG**
GLOSSY BLACK
- SS**
BRUSHED NICKEL
- CS**
BRUSHED BLACK CHROME
- BO**
MATT WHITE
- NP**
MATT BLACK
- OO**
GOLD
- BB**
ANTIQUÉ BRONZE
- II**
PALE GOLD
- RR**
ANTIQUÉ COPPER
- ORS**
ROSE GOLD
- ON**
NATURAL BRASS
- IS**
BRUSHED PALE GOLD
- HH**
PVD CHOCOLATE



Dimensions



Headworks

IB G1/2" Ceramics Headworks

Treaded fitting

Treaded fitting G1/2" male

Aerator

M24X1 perlator coin slot

Flow Rate (+/-10%)

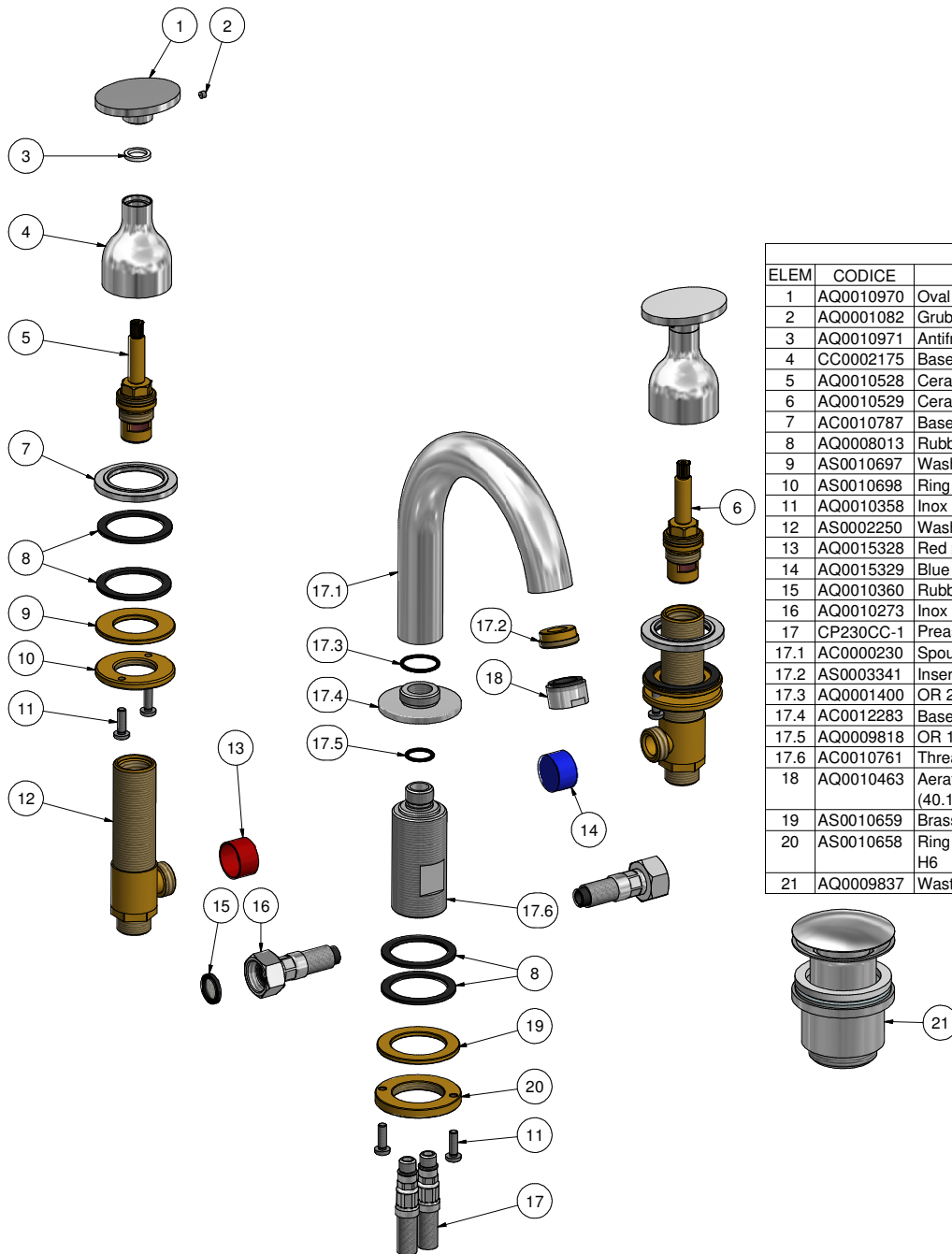
1 BAR 6.3 l/min	2 BAR 8.9 l/min	3 BAR 11 l/min
---------------------------	---------------------------	--------------------------

Production

Spout is a single casted piece

Material

BRASS
According to CuZn35Pb2Al-B (CB752S)
Max Lead content:1.36%



Elenco parti			
ELEM	CODICE	NUMERO DI MAGAZZINO	QT
1	AQ0010970	Oval handle 55x42	2
2	AQ0001082	Grubscrew M4x4 p.c.	2
3	AQ0010971	Antifriction teflon ring Ø15.8 x Ø11.5 H2	2
4	CC0002175	Base Ø43 H55	2
5	AQ0010528	Ceramic headwork 90° DX H38.5 8x20	1
6	AQ0010529	Ceramic headwork 90° SX H38.5 8x20	1
7	AC0010787	Base Ø5 H5	2
8	AQ0008013	Rubber packing 45x35x2	6
9	AS0010697	Washer Ø48 x Ø26.5 x3	2
10	AS0010698	Ring nut W26x19	2
11	AQ0010358	Inox screw M5x16	6
12	AS0002250	Washbasin upright W26x19	2
13	AQ0015328	Red plug G1/2"	1
14	AQ0015329	Blue plug G1/2"	1
15	AQ0010360	Rubber packing 1/2" H2 with filter	2
16	AQ0010273	Inox hose M10x1 G1/2" F L400	2
17	CP230CC-1	Preassembled deck spout	1
17.1	AC0000230	Spout Ø27 H155 L140	1
17.2	AS0003341	Insert for aerator stop	1
17.3	AQ0001400	OR 20.35x1.78 NBR 70 SH	1
17.4	AC0012283	Base Ø50 H12 M24x1 G3/8"	1
17.5	AQ0009818	OR 14x1.78 NBR 70 SH	1
17.6	AC0010761	Threaded stem M33x1.5 G3/8" H80	1
18	AQ0010463	Aerator cascade M24 x 1 5 l/min (40.1051.033)	1
19	AS0010659	Brass ring Ø50x35.5x3	1
20	AS0010658	Ring nut with screwed holes Ø52 M33x1.5 H6	1
21	AQ0009837	Waste G1" 1/4	1



WE ARE IB

WARRANTY

All IB Rubinetterie SpA products are warranted for 10 years from the date of purchase, for the following cases:

- Defects of casting, porosity and chrome plating.
- Operating defects caused by incorrect fabrication.

The warranty provides for repair or replacement of products with fabrication defects recognized by our technical office. There is no other type of compensation anche the merchandise must be returned FOB our warehouse. The warranty only cover surface defects (scatches, dings, etc.) on fitting that have not been installed and used, returned in its original packaging with all components. O-ring, gasket seals and components subject to wear proportional to use are warranted for 2 years.

The warranty is void in the following cases:

Error installing and putting the product into service.

Deterioration of finished surfaces due to use of cleaning products containing acids or abrasive substances. Deterioration of surface with finishes other than chrome plating. Their durability is, in fact, dependent on the user's care and gentleness of use.

Deterioration of the fitting due incorrect installation.

Improper repairs and maintenance performed without the company's prior authorization.

The warranty from IB Rubinetterie SpA is not renewable.

Cleaning

We recommended cleaning the finish surfaces with water and soap, using a soft cloth.

Do not use detergents that contain hydrochloric acid or abrasive substances.

