



Model Code F2580

revision 00 of 18-03-19
(the present replaces any previous versions)

Designer: centro studi interno

Structure: pinewood, beech-wood, multilayer and plywood covered with polyurethane foam.

Spring system: elastic webbing.

Seat Padding: seat cushions in ecological polyurethane foam coupled with a memory foam layer covered with 100% polyester layer.

Back Padding: back cushions in micromax and a polyurethane foam support.

Arm Interior: in micromax.

Removability: not available. Loose back and seat cushions.

Sewing: leather coverings feasible with contrast stitching in the colors available; cuts and sewing vary on microfiber (or fabric) coverings. The model features a decorative stitch (embroidery stitch n°1 _ 2 aghi/needles).

Standard feet: the model is lifted 19.5 cm off the floor. Metal PM2079 on armrest sides, PM 2082 on end sides with brown bronze finish, also available with copper or golden finish.

Optional versions: roll (750) in polyurethane foam, pillow (661) and 90° pillow (109) in micromax.

Please note: easy chair and RHF/LHF day bed versions display different aesthetic features if compared with other versions. RHF/LHF day bed_a version (J98/J99) displays a different cover partitioning and can be produced only with this cover scheme.

Density of seat and back

Markets	Seat	Back
I	35 Medium	microm + inserto 35
D - NL - CH		
USA - California		
GB	37 fire retardant	microm + inserto 35 fire retardant
Others	35 Medium	microm + inserto 35

Note: when no values/contents are specified in the chart, please refer to 'Others' field/area.

Coverings

	suggested	not suggested	not possible
thick leathers	✓		
thin elastic leathers	✓		
natural leathers	✓		
fabric*	✓		
microfibre*	✓		
leather + split	✓		
DeLuxe			✓
multi colour	✓		
multi-category	✓		
multi covering	✓		

Please note: for not removable models, only one colour fabric covers are available.

* fabrics and microfibers are not available for the U.K. market

the model is available in single color in leather, fabric or microfiber or in Multicolor (see last page): 1st col. in fabric or microfiber on outer frame (edges, lateral sides and back sides). 2nd col. in fabric or microfiber on cushions (seat cushions, back cushions and armrests). The model is also available in Multicoloring (see last page): 1st cov. in leather, fabric or microfiber on outer frame (edges, lateral sides and back sides). 2nd cov. in fabric or microfiber on cushions (seat cushions, back cushions and armrests). Day bed_a version (code J98/J99) can be produced only with the partitioning color scheme indicated by the company. (see last page)

Multicoloring / Components / Optional vers.



1139_m

Feet



PM2079

PM2082

Ottoman



With the reservation of carrying for production purposes and without advanced notices modifications on the materials, coverings and dimensions of the product as indicated in the relevant specification. The given dimensions and volume are of indicative value being subject to the production process tolerances.

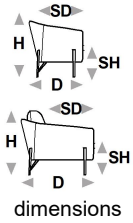



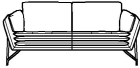
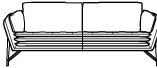


↑ fold following the dotted line ↑

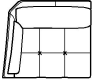
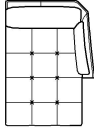
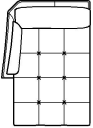
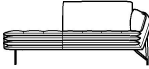
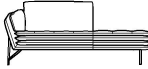
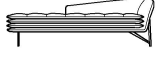
mater familias.cal 1139

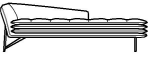
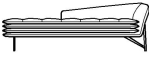
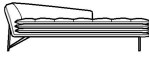
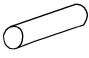




L Length - H Height - D Depth - SH Seat Height - SD Seat Depth
 Dimensions refer to maximum sizes of the version with closed mechanism (where available).



					
	L 80 H72 D68 SH44 SD55	L 175 H82 D93 SH44 SD55	L 200 H82 D93 SH44 SD55	L 225 H82 D93 SH44 SD55	L 113 H82 D93 SH44 SD55
version code	E24	200	240	300	114
Description	easy chair	2 seater	2 1/2 seater	3 seater	rhf maxi chair

					
L 113 H82 D93 SH44 SD55	L 113 H82 D153 SH44 SD115	L 113 H82 D153 SH44 SD115	L 187 H82 D93 SH44 SD55	L 187 H82 D93 SH44 SD55	L 189 H66 D89 SH44 SD77
124	601	602	451	461	J98
lhf maxi chair	maxi chaise lon.rgt arm fac.	maxi chaise lon.lft arm fac.	1 right arm facing dormeuse	1 left arm facing dormeuse	rhf day bed_a

					
L 189 H66 D89 SH44 SD77	L 189 H66 D89 SH44 SD77	L 189 H66 D89 SH44 SD77	L 16 H16 D55 SH- SD-	L 50 H50 D14 SH- SD-	L 50 H50 D8 SH- SD-
J99	J73	J74	750	661	109
lhf day bed_a	rhf day bed	lhf day bed	bolster	pillow	50x50 90° pillow

↓ fold following the dotted line ↓



mater familias.cal 1139

Model Code F2580

revision 00 of 18-03-19
(the present replaces any previous versions)



Multicolor (different colors belonging to the same material) YES NO

Multicover (combination of different materials) YES NO

1st color SPLIT LEATHER FABRIC MICROFIBER

1st cover SPLIT LEATHER FABRIC MICROFIBER

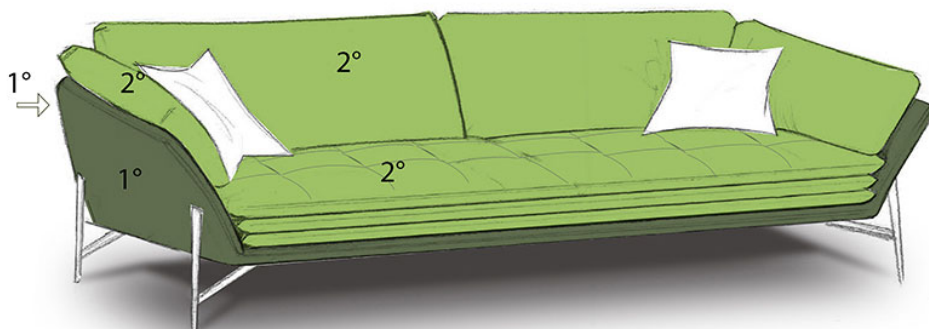
2nd color SPLIT LEATHER FABRIC MICROFIBER

2nd cover SPLIT LEATHER FABRIC MICROFIBER

3rd color SPLIT LEATHER FABRIC MICROFIBER

3rd cover SPLIT LEATHER FABRIC MICROFIBER

Multicategory (different categories belonging to the same material) YES NO



MATER FAMILIAS SCHEMA DAY BED 1B._A

Realizzabile unicamente in multicolore come segue:

Multicolore (più colori di uno stesso articolo) SI NO

Multirivestimento (abbinamento di articoli diversi) SI NO

1° colore CROSTA PELLE TESSUTO MICROFIBRA

1° rivestimento CROSTA PELLE TESSUTO MICROFIBRA

2° colore CROSTA PELLE TESSUTO MICROFIBRA

2° rivestimento CROSTA PELLE TESSUTO MICROFIBRA

3° colore CROSTA PELLE TESSUTO MICROFIBRA

3° rivestimento CROSTA PELLE TESSUTO MICROFIBRA

4° colore CROSTA PELLE TESSUTO MICROFIBRA

