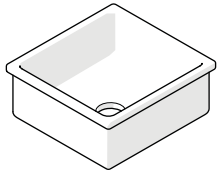


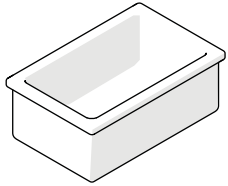
# WATERWORKS INSTALLATION GUIDELINES

STYLE No. CASK18, CASK30, CASK40  
Clayburn Fireclay Sink



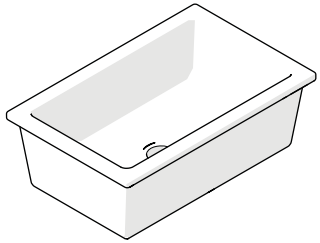
## STYLE No. CASK18

Clayburn 17 1/2" x 18 3/8" x 7 7/8" Fireclay Prep Sink with Center Drain



## STYLE No. CASK30

Clayburn 22 3/4" x 14 3/4" x 8 7/8" Fireclay Bar Sink with End Drain



## STYLE No. CASK40

Clayburn 32 1/4" x 20 3/4" x 11" Fireclay Kitchen Sink with Center Drain

### TECHNICAL DETAILS:

STYLE NO.	DETAIL	SPECIFICATION
CASK18	DRAIN HOLE DIAMETER	3-1/2" [89mm]
	GARBAGE DISPOSAL	YES
	SOUND PROOFING	NO
CASK30	DRAIN HOLE DIAMETER	2" [51mm]
	GARBAGE DISPOSAL	NO
	SOUND PROOFING	NO
CASK40	DRAIN HOLE DIAMETER	3-1/2" [89mm]
	GARBAGE DISPOSAL	YES
	SOUND PROOFING	NO

### IMPORTANT:

- To ensure this product is installed properly, you must read and follow these guidelines.
- The owner/user of this product must keep this information for future reference.
- This product must be installed by a professional licensed contractor. Be sure your installation conforms to all federal, state, and local codes.
- The dimensions are based on original specifications and are subject to change and variation. Due to dimensional variations of Fine Fire Clay, Clayburn sinks should be installed before templating countertops for undermount applications. Dimensions taken for the purpose of cutting templates should always be taken from each product directly. For flush/no reveal or reveal installations, the physical sink is required due to sink tolerances.
- The use of certain plumber's putty may stain stone or tile surfaces.
- Ensure that the cabinet is properly sized for the sink being used. The cabinet must be plumbed, level, and securely installed prior to installing the sink.
- Adequate support framing is required for undermount sink installations. Ensure that the screws used to attach the framing are long enough to sure the framing but short enough to prevent the screws from damaging the adjacent cabinets.

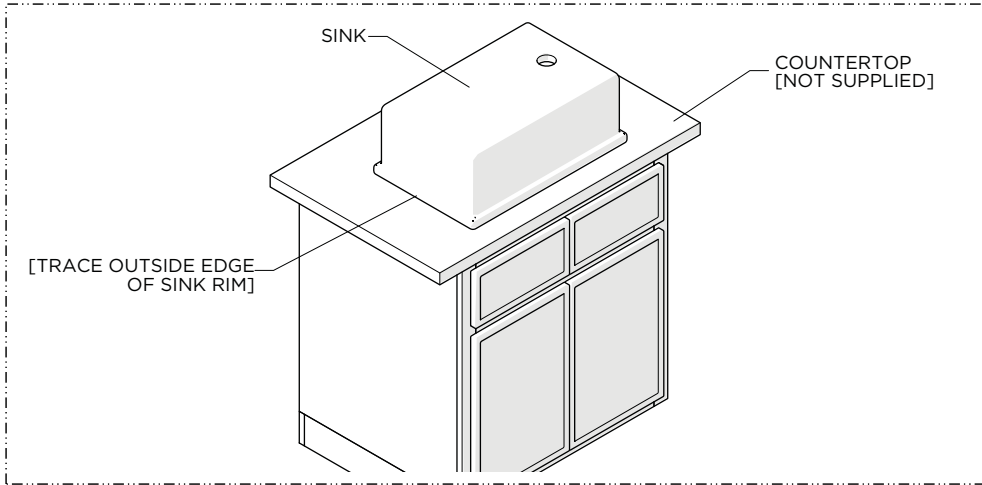
### REQUIRED PLUMBING DETAILS:

Universal Kitchen Sink Strainer 3-1/2"  
STYLE No. UNKS30

Universal Bar Sink Strainer 2"  
STYLE No. UNKS15

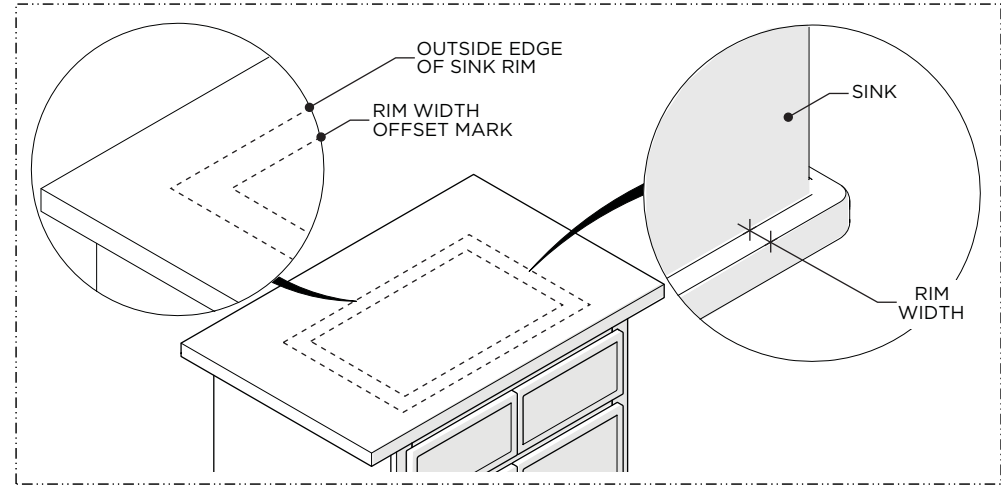
# WATERWORKS INSTALLATION GUIDELINES

STYLE No. CASK18, CASK30, CASK40  
Clayburn Fireclay Sink

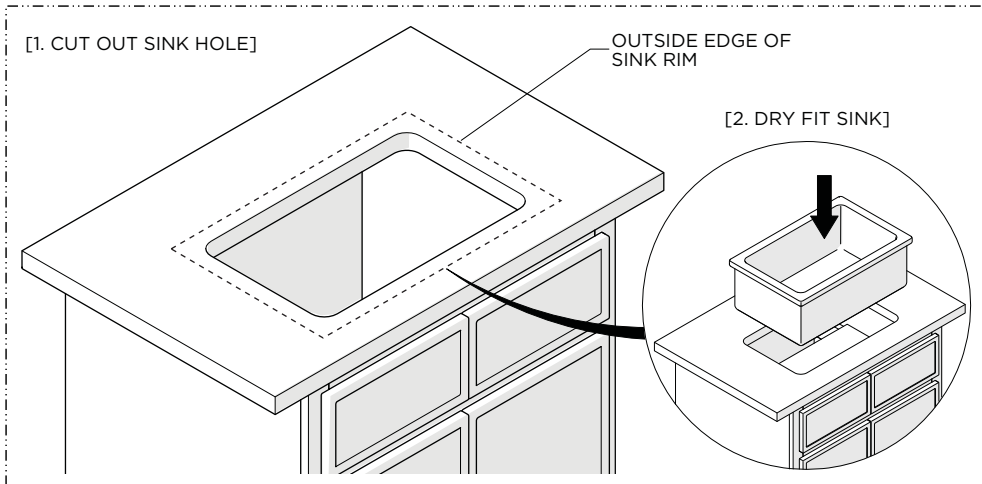


## DROP - IN INSTALLATIONS:

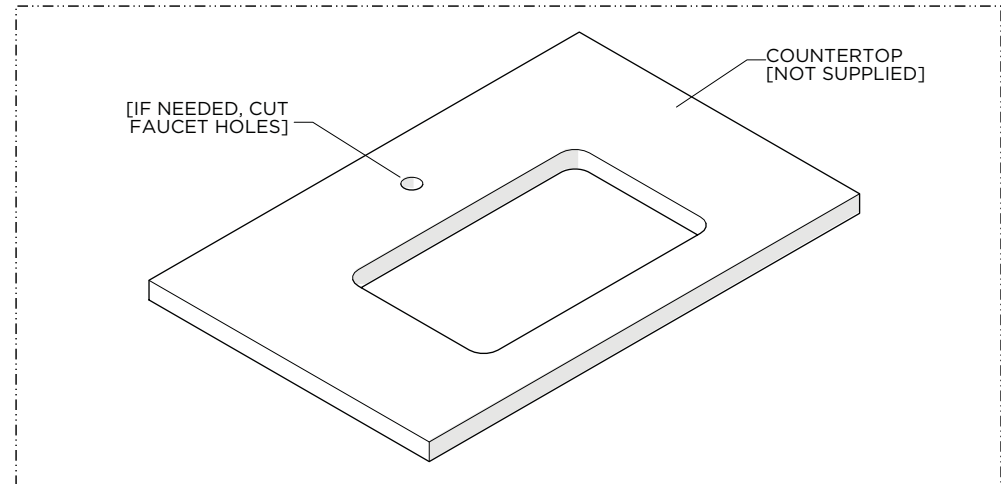
1. Place painter's tape on the countertop surface then place the SINK upside down on the tape making sure the position of the SINK will not interfere with the CABINET backsplash or faucet fittings and trace the outside edge of the rim on to the tape.



2. Measure the rim width on the underside of the SINK and transfer this dimension onto the tape. This offset mark should be on the inside of the mark made in the previous step.



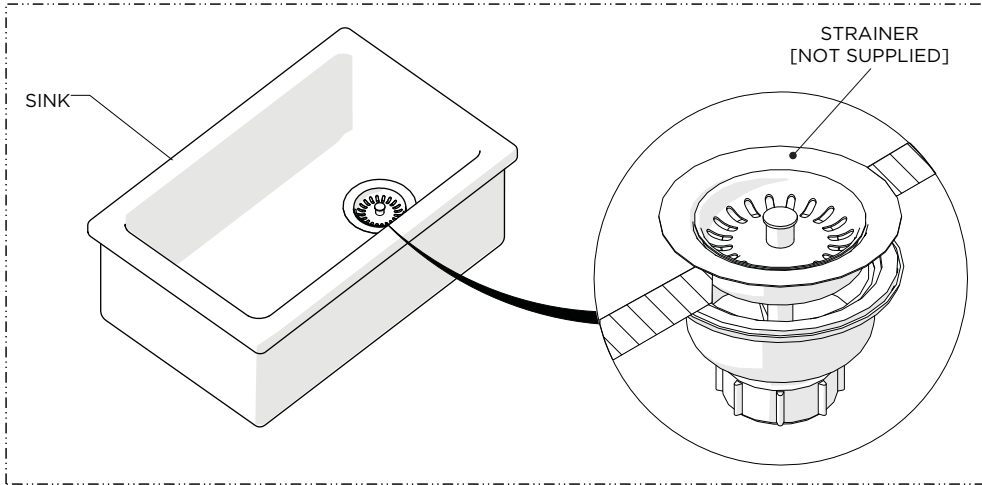
3. Cut the countertop opening and dry fit the SINK then remove the SINK and make any adjustments to the opening if necessary.



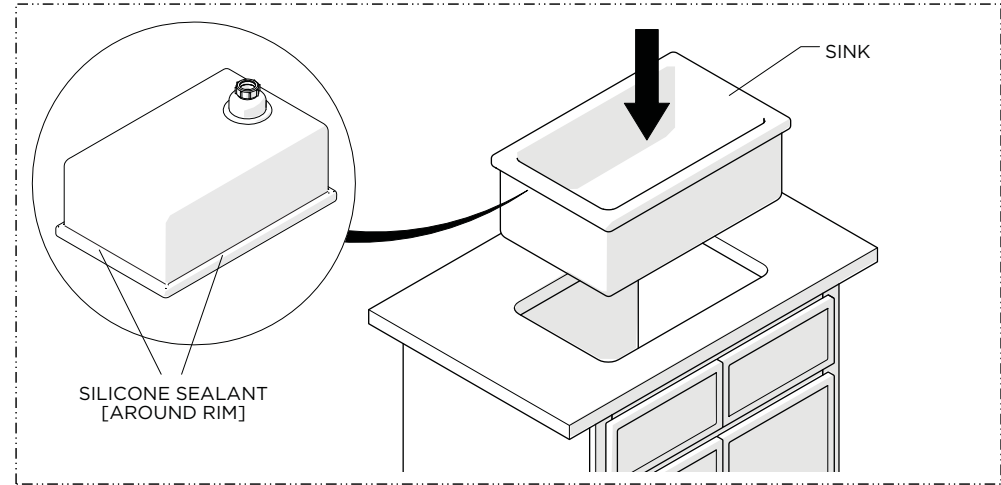
4. Cut out any faucet holes on the countertop prior to final installation.

# WATERWORKS INSTALLATION GUIDELINES

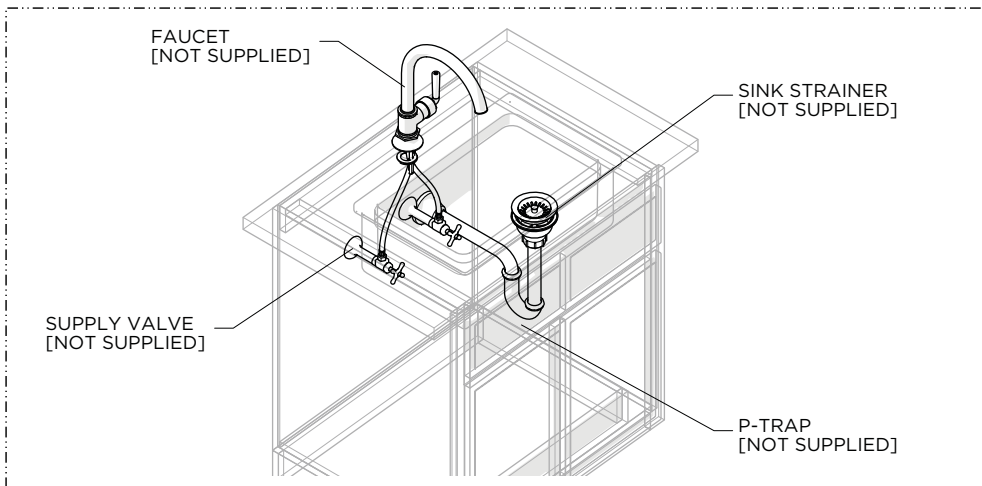
STYLE No. CASK18, CASK30, CASK40  
Clayburn Fireclay Sink



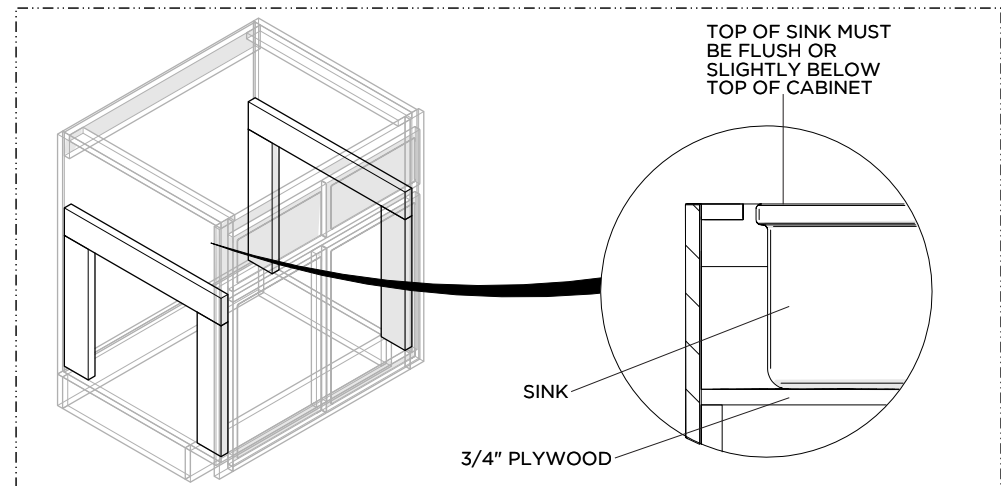
5. Install the strainer onto the SINK, per the manufacturer's instructions.



6. Apply a bead of silicone sealant to the underside rim of the SINK then set it into the countertop removing any excess sealant and ensuring the SINK is properly aligned.



7. Install the faucet per the manufacturer's instructions and make final supply and waste connections.

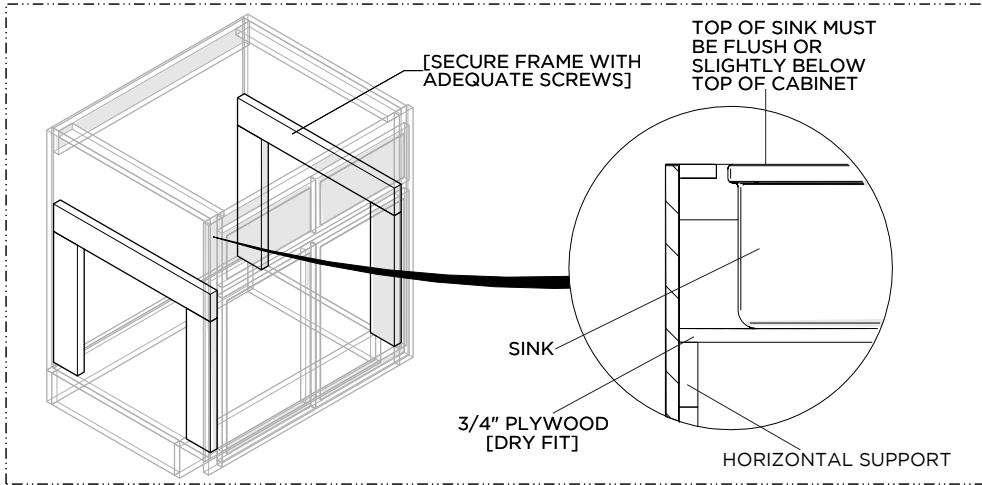


## UNDERMOUNT INSTALLATIONS:

- Using adequate support framing material, install a support frame inside the CABINET that will securely support the weight of the SINK. **EXAMPLE:** A support frame may consist of 2 horizontal supports and 4 vertical supports, and a sheet of 3/4" plywood.  
**NOTE:** Take into account the cabinet structure and any plumbing when constructing the support frame. Actual support structure is the responsibility of the installer.

# WATERWORKS INSTALLATION GUIDELINES

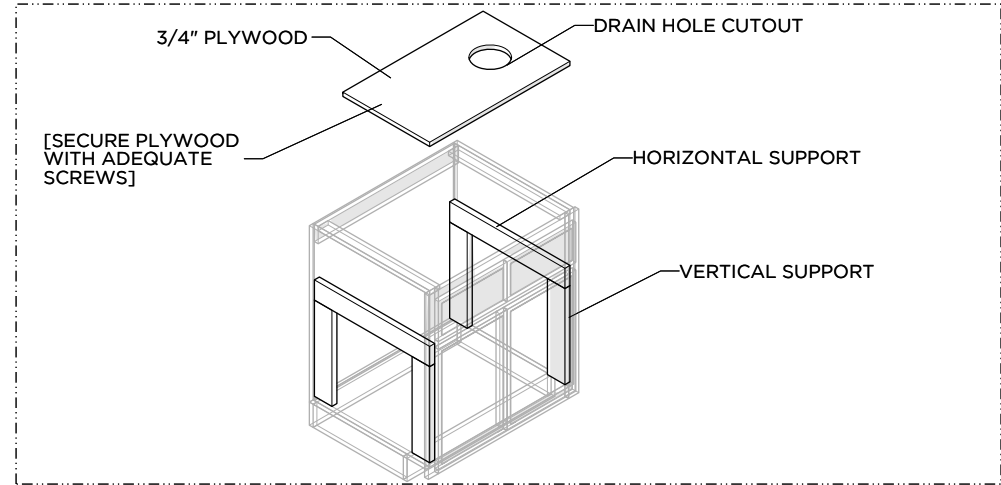
STYLE No. CASK18, CASK30, CASK40  
Clayburn Fireclay Sink



2. Ensure that the supports are secured using SCREWS (not provided) and level.

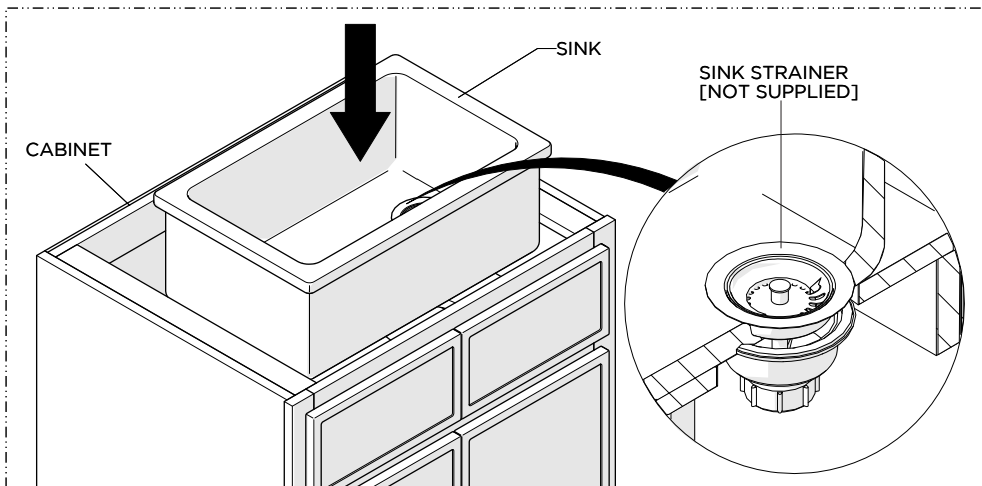
**NOTE:** Prior securing the framing, make sure that the top of the SINK will rest flush or slightly below the top of the cabinet.

**WARNING:** Ensure the SCREWS used to attach the framing are long enough to secure the framing but short enough to prevent the SCREWS from damaging the adjacent cabinets.



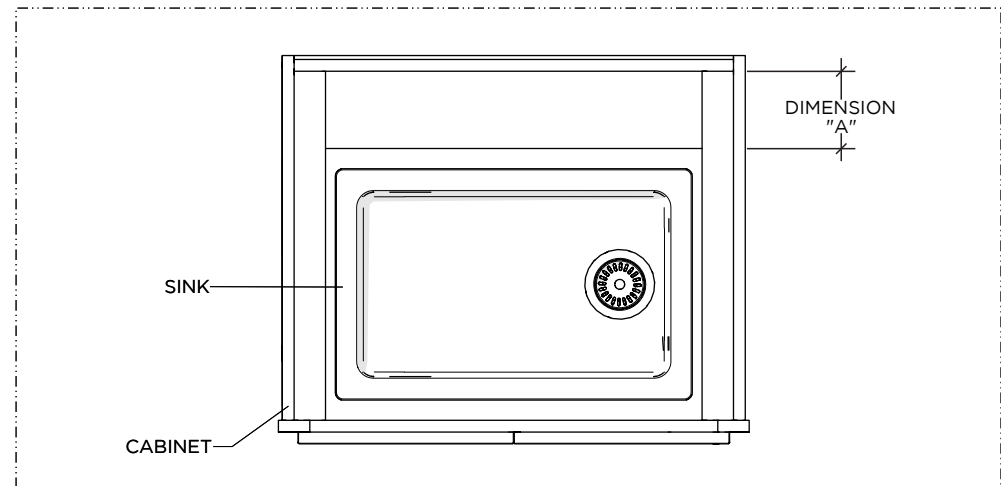
3. Cut out a portion of the plywood for the drain connections then secure the plywood to the support framing.

**NOTE:** Ensure the plywood dimension will allow for supply line and faucet connections.



4. Install the strainer onto the SINK, per the manufacturer's instructions, then lower the SINK into the cabinet and position it as desired making sure the SINK is level and rests on the plywood.

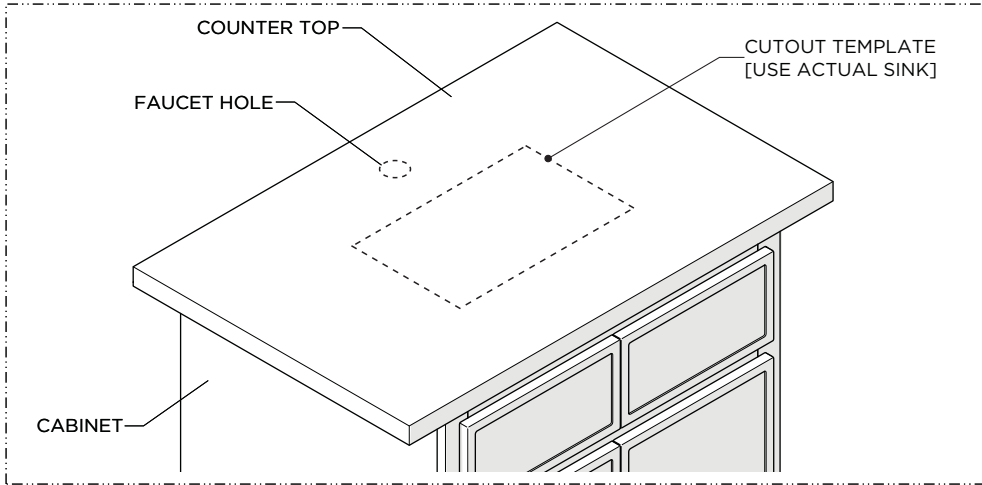
**NOTE:** Additional framing may be added to prevent the SINK from shifting.



5. Make sure there is enough room between the SINK and the back of the cabinet, DIMENSION "A", for the faucet fittings taking into account the backsplash dimensions.

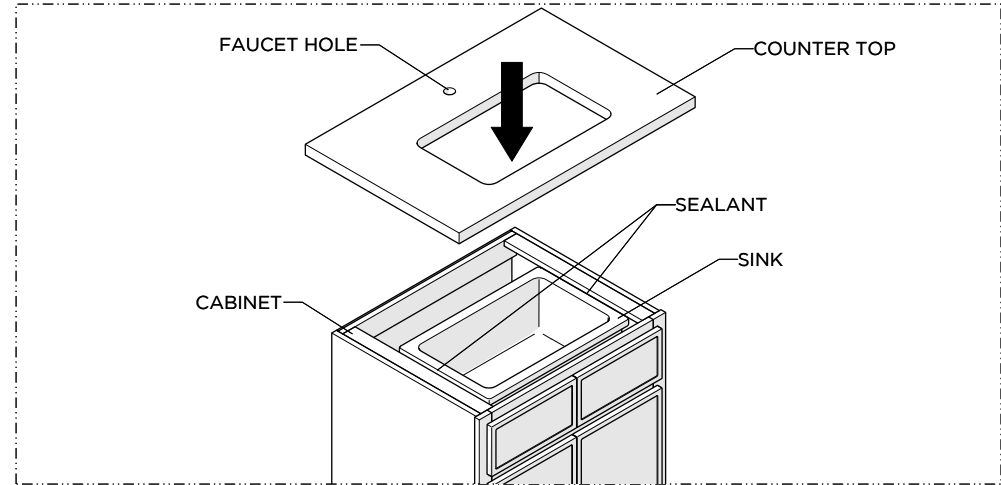
# WATERWORKS INSTALLATION GUIDELINES

STYLE No. CASK18, CASK30, CASK40  
Clayburn Fireclay Sink



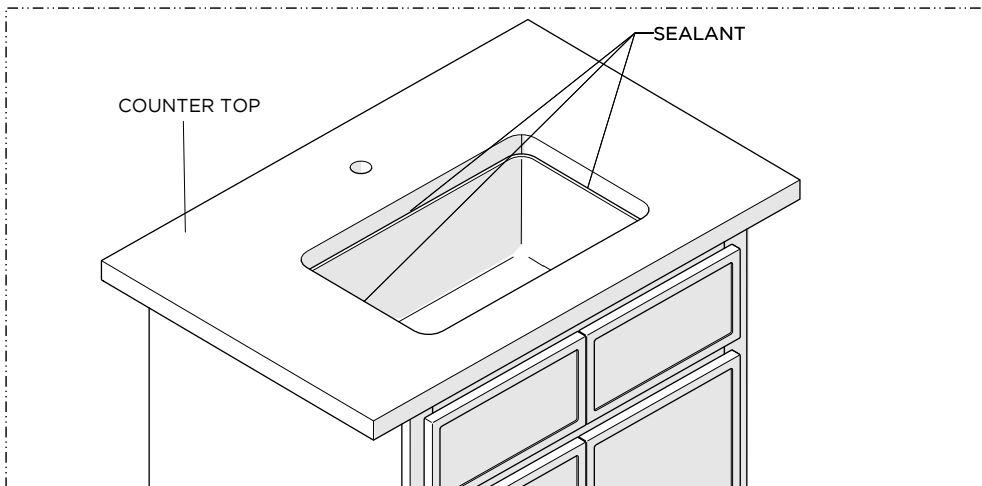
6. With the SINK in the final position, create a template to transfer onto the countertop then cut the countertop per manufacturer's instructions and cut the faucet hole(s) prior to final installation.

**NOTE:** For flush/no reveal or reveal installations, the individual sink is required due to SINK tolerances.

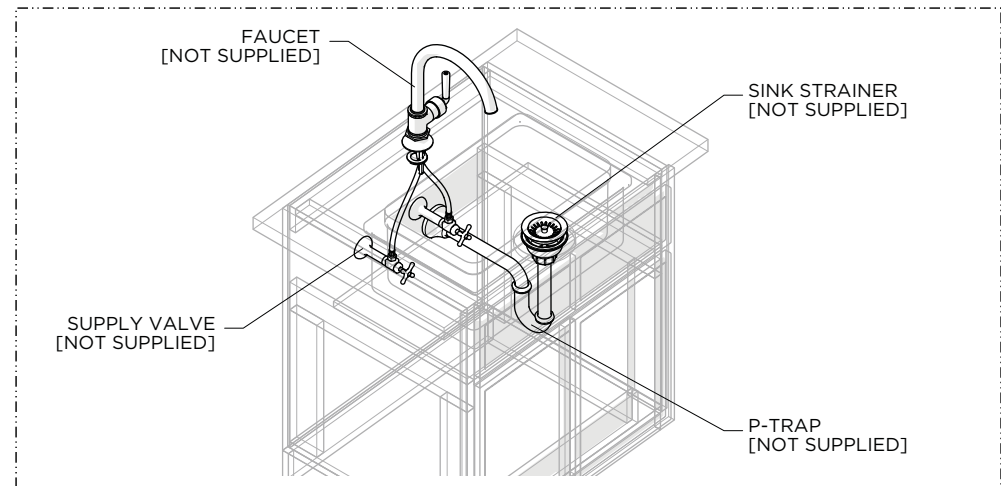


7. Apply a bead of silicone sealant to the back and sides of the SINK then place the countertop on top of the cabinet.

**IMPORTANT:** The countertop **MUST NOT** rest on top of the SINK.



8. Apply a bead of silicone sealant where the sink contacts the countertop and cabinet surfaces. Remove any excess sealant.



## INSPECT AND FINISH THE INSTALLATION:

9. Install the faucet and sink strainer per the manufacturer's instructions and make final supply and waste connections.