

# Minimalist Ultra Wall Mount Shower Mixer

with adjustable cartridge for temperature

# METHVEN

## **Important-Please read all instructions before installation**

The Minimalist Shower Mixer is designed for Mains Pressure systems only.

This mixer is not designed for use in uncontrolled heating systems such as wetbacks or solar units unless a Tempering Valve is fitted.

**ALL PIPEWORK MUST BE THOROUGHLY FLUSHED PRIOR TO INSTALLATION OF THE MIXER. AN INLINE FILTER MUST BE FITTED TO PREVENT FOREIGN PARTICLES DAMAGING THE CERAMIC CARTRIDGE.**

**DO NOT PLUG THE OUTLET OF THE MIXER WHEN HYDROSTATICALLY TESTING A NEW INSTALLATION.** This may cause damage to the ceramic cartridge. Do not remove the ceramic cartridge when installing the shower mixer.

### **Technical specifications**

#### **Operating Pressure:**

Min: 150kPa, Max 1000kPa

Recommended 150 – 500kPa

Recommended installation of a pressure limiting valve if supply pressure exceeds 500kPa

#### **Operating Temperature:**

Hot: Min 55°C (at mixer) Max 80°C

Cold: Min 5°C

NB: New Zealand Building Code Clause G12 - Water Supplies specifies all outlets used primarily for personal hygiene shall deliver water at a safe temperature.

**Inlet Connections:** All ½" BSP

### **Installation Instructions**

Ensure that the shower body protective cover is on the shower body. Only remove the shower body protective cover when the faceplate and the lever handle are ready to be fitted.

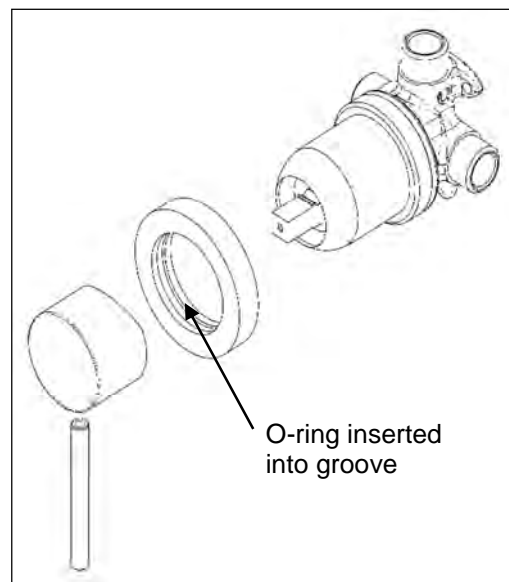
Secure the mixer body to the wall framing at the required position. The distance between the outside face of the timber framing to the outside face of the wall lining can be between 45 to 60mm.

**Flush all pipework before connecting the hot water supply to the left inlet, the cold water supply to the right inlet.**

Install the finished wall lining. The finished wall lining should have a Ø50mm hole in it to fit over the shower body.

Remove the shower body protective cover. Insert the o-ring into the groove inside the faceplate. A bead of silicone seal between the face plate and the wall is recommended.

Fit the lever cap onto the square of the ceramic cartridge with the lever arm hole pointing down with the cartridge in the intermediate mix position. Tighten the grub screw in the cap. Screw the lever onto the grub screw. Wearing rubber gloves can provide further grip while tightening the lever onto the grub screw.



## Ceramic Cartridge Adjustment

Do not remove the ceramic cartridge from the mixer while carrying out the following adjustments.

**NOTE:** The cartridge is factory set for maximum temperature.

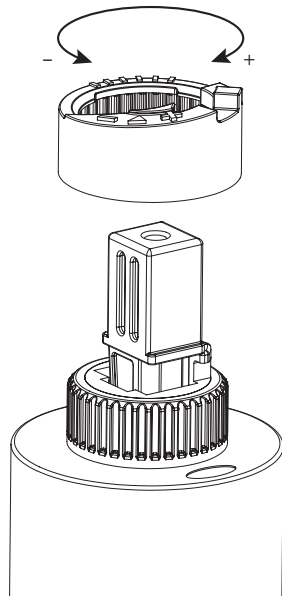
### Temperature Adjustment

Unscrew the lever arm from the handle.

Using a 3mm hex key, loosen the grub screw through the indicator hole in the handle.

Pull the handle off the mixer.

With pliers, carefully pull the red temperature limiting ring from the locator.



Turn the temperature limiting ring clockwise (+) to increase maximum hot temperature, anti-clockwise (-) to reduce the maximum hot temperature.

Replace the adjustment ring in the locator and push firmly to secure.

Reverse instructions to re-assemble. A rubber glove can provide extra grip to do the lever arm up if required.

METHVEN LTD

For you warranty please refer to [www.methven.com](http://www.methven.com) or call Customer Service

New Zealand  
0800 804 222

Australia  
1 300 638 483

UK  
0800 195 1602