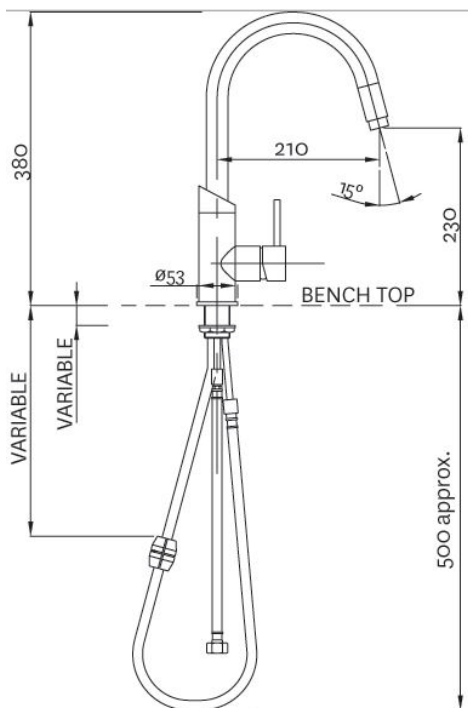


MINIMALIST PULL DOWN GOOSENECK SINK MIXER



CONSTRUCTION: Brass body
CARTRIDGE TYPE: Ceramic
CLASSIFICATION: Suitable for mains pressure ONLY
INLET CONNECTIONS: 1/2" BSP
WORKING PRESSURE: 150 - 1000kPa
DIMENSIONS FOR FITTING: 35mm diameter hole
OPERATING TEMPERATURE: 55 °C - 80 °C
WATER FLOW RATE: 7.0 l/m

- Swivel spout with aerator: 360 Degrees control of water flow.
- Extendable hose.
- 20 year warranty
- 4 star WELS rated on mains pressure (7.0 l/pm)

MMKHRPD

Chrome

<http://www.methven.com/nz>