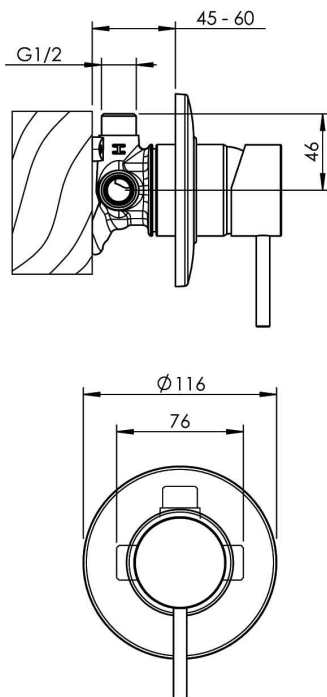


MINIMALIST SHOWER MIXER



CONSTRUCTION: Brass body
CARTRIDGE TYPE: Ceramic (SP033510)
CLASSIFICATION: Suitable for mains pressure only
INLET CONNECTIONS: 1/2" BSP Male
WORKING PRESSURE: 150 - 1000kPa
OPERATING TEMPERATURE: 5 °C - 80 °C

- Positive seal between faceplate and body

MMHPSCP

Chrome

<http://www.methven.com/nz/minimalist-shower-mixer-mains-pressure>