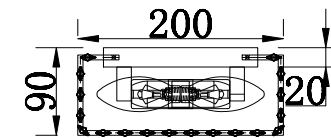
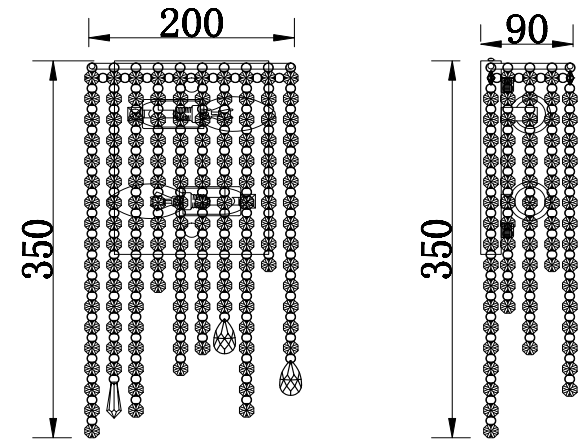
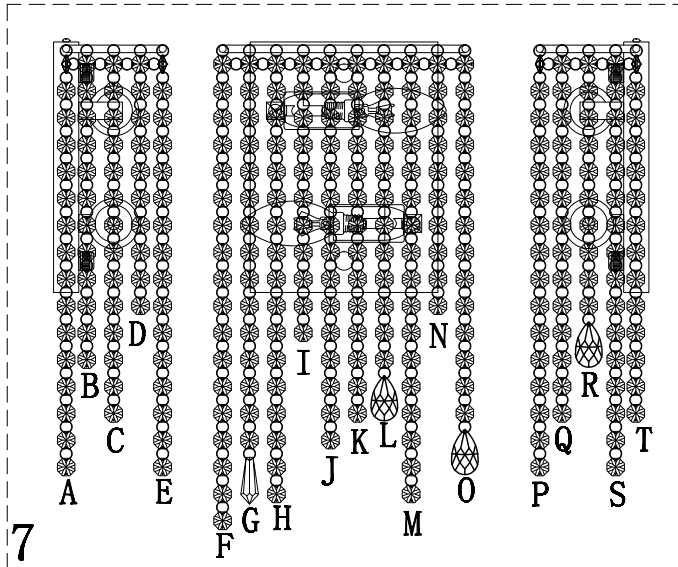
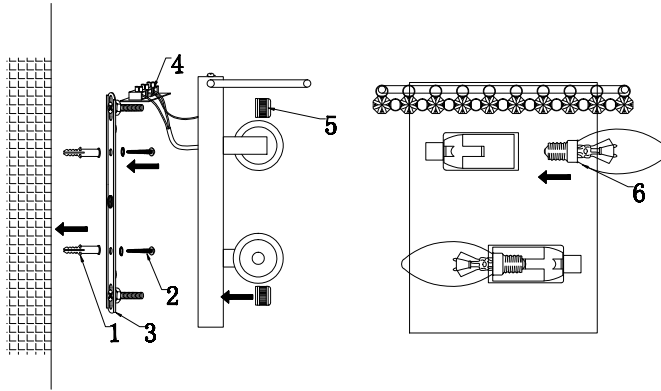


# Instruction

DIA002WL-02CH



2 x E14 (60W)

Model: DIA002WL-02CH  
Collection: Diamant Crystal  
Series: Empress



Wall Lamps