



## Adjustable Shelf with Electrical Outlets K-99678-SH3

### Features

- For use with K-99505 Jacquard®, K-99518 Damask®, and K-99531 Poplin® vanities.
- Catalyzed conversion varnish provides a durable moisture-resistant finish.
- Includes 4 electrical outlets (2 switched, 2 always live).
- Appliances can remain plugged in while vanity door is closed.

### Material

- Solid wood and veneers.

### Recommended Products/Accessories

K-23736 Furniture polish



### Codes/Standards

EPA TSCA Title VI  
CARB P2


### KOHLER® One-Year Limited Warranty

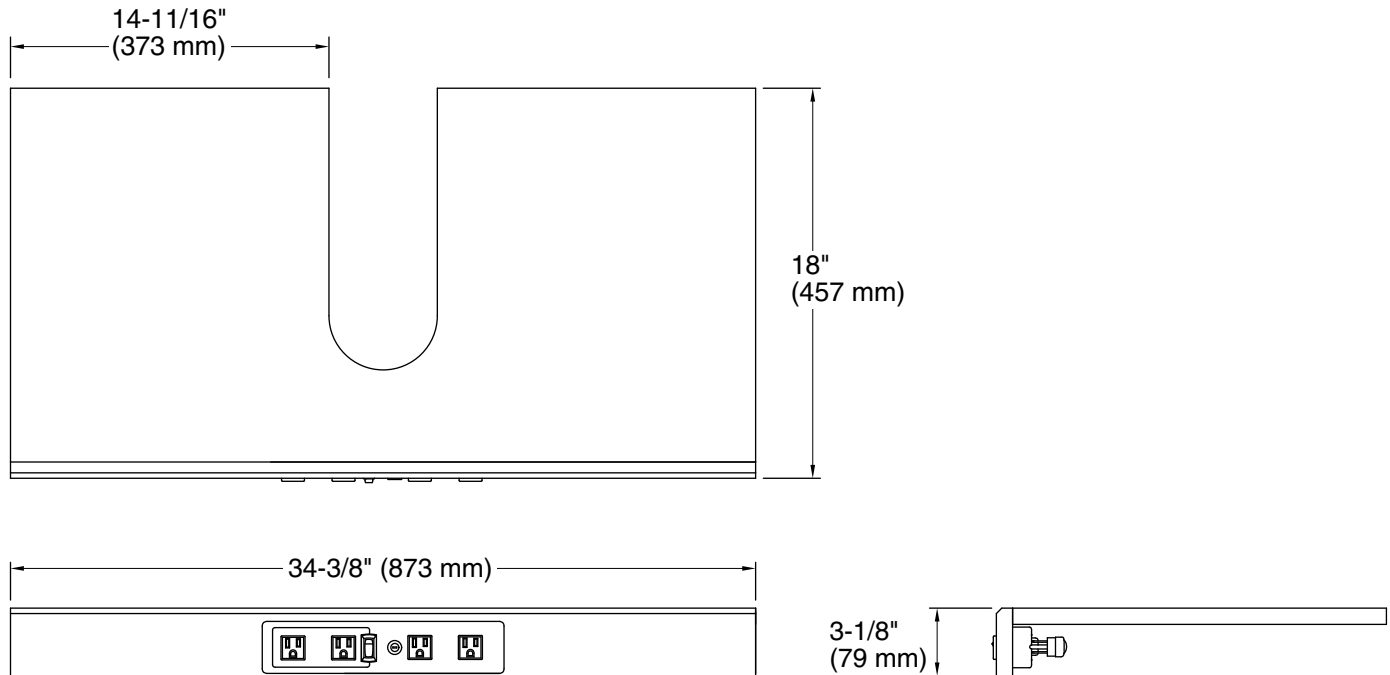
See website for detailed warranty information.

### Available Colors/Finishes

*Color tiles intended for reference only.*

| Color | Code | Description |
|-------|------|-------------|
|-------|------|-------------|

|  |     |              |
|--|-----|--------------|
|  | 1WR | Oxford Maple |
|--|-----|--------------|



### Required Electrical Service

One dedicated circuit required, protected with Class A Ground-Fault Circuit-Interrupter (GFCI). Outside North America, this device may be known as a Residual Current Device (RCD).  
120 V, 15 A, 60 Hz

### Technical Information

All product dimensions are nominal.

Material: Wood, Veneers

### Notes

Install this product according to the installation guide.  
Install a Ground-Fault Circuit-Interrupter (GFCI) outlet prior to installing the vanity.