

Minimalist Divertor Shower Mixer

with adjustable cartridge for temperature

METHVEN

Important-Please read all instructions before installation

The Minimalist Divertor Shower Mixer is designed for Mains Pressure systems only.

This mixer is not designed for use in uncontrolled heating systems such as wetbacks or solar units unless a Tempering Valve is fitted.

ALL PIPEWORK MUST BE THOROUGHLY FLUSHED PRIOR TO INSTALLATION OF THE MIXER. AN INLINE FILTER MUST BE FITTED TO PREVENT FOREIGN PARTICLES DAMAGING THE CERAMIC CARTRIDGE.

DO NOT PLUG THE OUTLET OF THE MIXER WHEN HYDROSTATICALLY TESTING A NEW INSTALLATION. This may cause damage to the ceramic cartridge.

Do not remove the ceramic cartridge when installing the shower mixer.

Technical specifications

Operating Pressure:

Min: 150kPa, Max 1000kPa

Recommended 150 – 500kPa

Recommended installation of a pressure limiting valve if supply pressure exceeds 500kPa

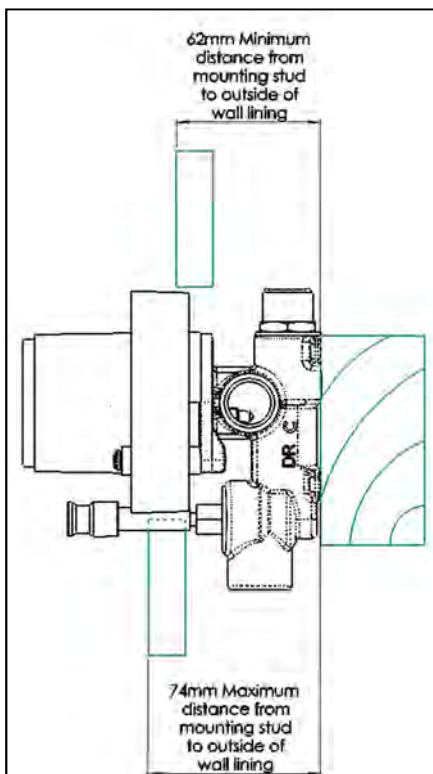
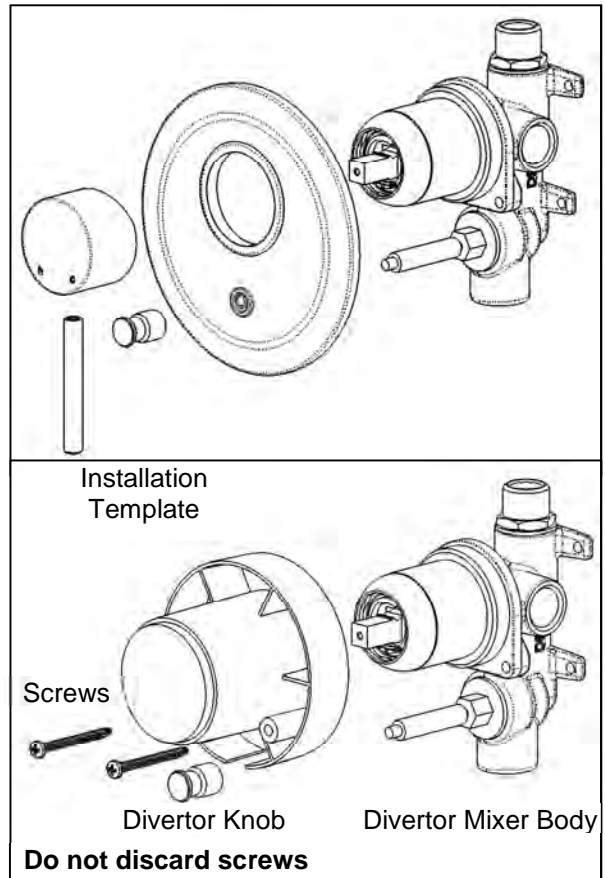
Operating Temperature:

Hot: Min 55°C (at mixer) Max 80°C

Cold: Min 5°C

NB: New Zealand Building Code Clause G12 - Water Supplies specifies all outlets used primarily for personal hygiene shall deliver water at a safe temperature.

Inlet Connections: All ½" BSP



Installation Instructions

Remove the installation template *but do not discard template or screws*.

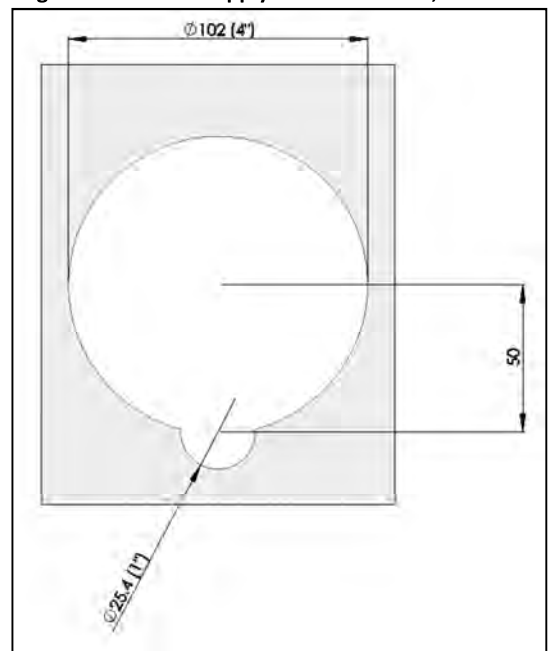
Secure the mixer body to the wall framing at the required position. The distance between the centre of the inlet connections and the outside face of the wall lining can be between 32 and 43mm.

Flush all pipework before connecting the hot water supply to the left inlet, the cold water supply to the right inlet.

Replace the installation template to protect the shower mixer during installation of the finishing wall.

Mark the center positions for both the 102mm and 25mm diameter holes on the wall-lining (refer to the diagram). Cut the small hole first (minimum 25mm) then cut a hole in the wall lining using a 4" (or 102mm) hole saw. Install the finished wall lining. The outer face of the wall must lie within the limits of the installation template; refer to the diagram on above.

Remove the template.



Unscrew the divertor cap from the end of the divertor spindle.

Fit the faceplate over the shower mixer and the divertor spindle, ensuring that the seal fits around the barrel of the shower body. A bead of silicon seal between the faceplate and the wall is recommended. Care should be taken to not block the drain hole.

Screw the divertor cap back on to the divertor spindle. Fit the cap onto the square of the ceramic cartridge and tighten the grub screw in the cap. Screw the lever onto the grub screw. Wearing rubber gloves can provide further grip while tightening the lever onto the grub screw.

Ceramic Cartridge Adjustment

Do not remove the ceramic cartridge from the mixer while carrying out the following adjustments.

NOTE: The cartridge is factory set for maximum temperature.

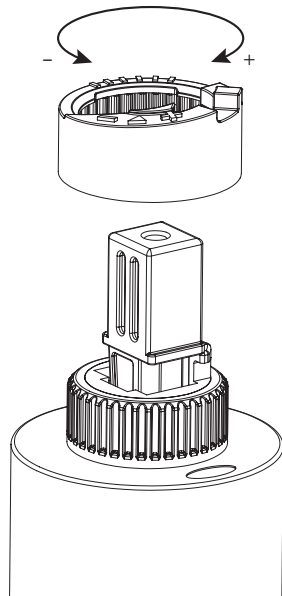
Temperature Adjustment

Unscrew the lever arm from the handle.

Using a 3mm hex key, loosen the grub screw through the indicator hole in the handle.

Pull the handle off the mixer.

With pliers, carefully pull the red temperature limiting ring from the locator.



Turn the temperature limiting ring clockwise (+) to increase maximum hot temperature, anti-clockwise (-) to reduce the maximum hot temperature.

Replace the adjustment ring in the locator and push firmly to secure.

Reverse instructions to re-assemble. A rubber glove can provide extra grip to do the lever arm up if required.

METHVEN LTD

For you warranty please refer to www.methven.com or call Customer Service

New Zealand
0800 804 222

Australia
1 300 638 483

UK
0800 195 1602