

Important – Please read all of the instructions before installation

This Minimalist Sink Mixer is designed for Equal and Unequal Pressures systems.

Equal High Pressure: Install as supplied

Unequal Pressure: Install the non return nipple into the end of the hot supply hose.

Equal Low Pressure: Install as supplied

This mixer is not recommended for use in uncontrolled heating systems such as wetbacks or solar heater units unless a NEFA TLV valve is fitted. BIA G12 requires all hot water supplies to any sanitary outlet to be tempered to 55°C.

ALL PIPEWORK MUST BE THOROUGHLY FLUSHED PRIOR TO INSTALLATION OF THE MIXER. AN INLINE FILTER MUST BE FITTED TO PREVENT FOREIGN PARTICLES DAMAGING THE CERAMIC CARTRIDGE.

Technical specifications

Operating Pressure: Recommended 150 – 500kPa Min: 35kPa Max 1000kPa

Hot Supply Temperature: Recommended 55 – 65°C at the mixer. Max 80°C

Inlet Connections: All ½" BSP

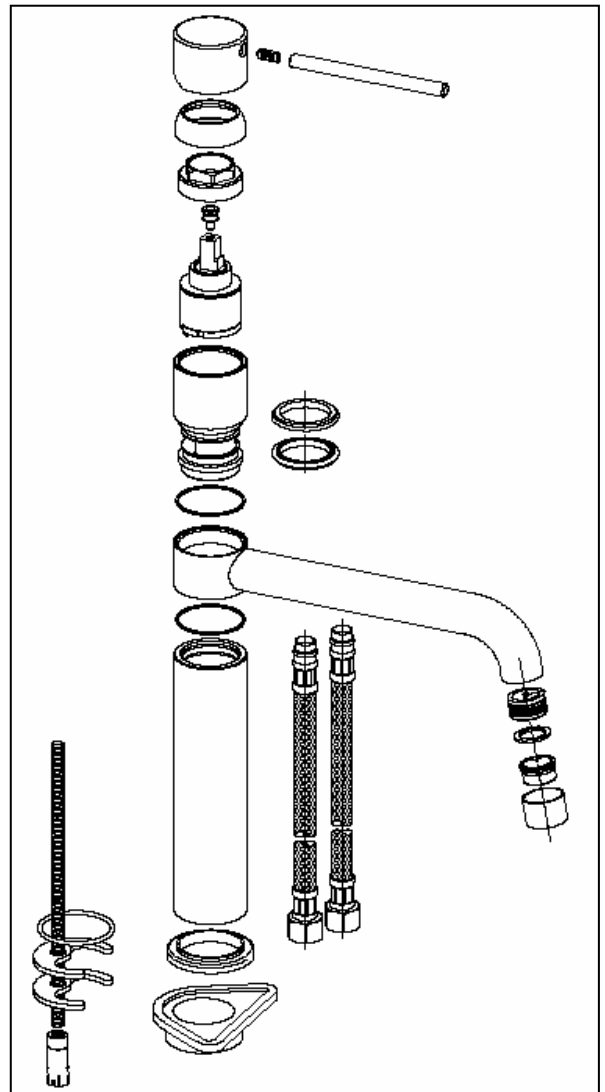
Installation Instructions

A single 35mm diameter hole is required in the mounting surface. The mount surface can be a maximum of 40mm thick. Screw the threaded rods into the base of the mixer. Insert the O ring into the groove in the bottom of the base ring and fit the base ring into the bottom of the sink mixer. Insert the flexible hoses through the hole in the mounting surface (from the underside) and screw them into the base of the sink mixer.

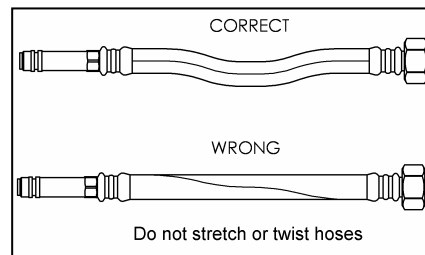
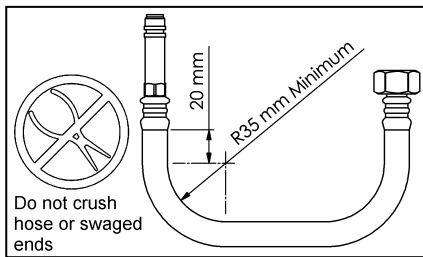
Important: The non-return valve must be fitted in the HOT supply line. Fit the valve to the Hot supply connection before connecting the HOT flexible hose.

Feed the threaded rods through the hole in the mounting surface. Fit the mounting gasket and mounting plate onto the threaded rods. Tighten the mounting nuts to secure the sink mixer in place. Connect the flexible hoses to the hot and cold supplies (hot on the left, cold on the right).

Two filter baskets are provided for the flexible hose connections to the nipples. Nipples with machined ends are required to ensure a seal to the flexible hose nuts and the filter baskets.



Hose Requirements



Cartridge Adjustments (Maximum Temperature & Flow)

Do not remove the ceramic cartridge from the mixer while carrying out the following adjustments.

NOTE: The cartridge is fitted to supply maximum hot supply.

Flow Adjustment

Remove the indicator for the lever handle by carefully popping out with a small flat screw driver.

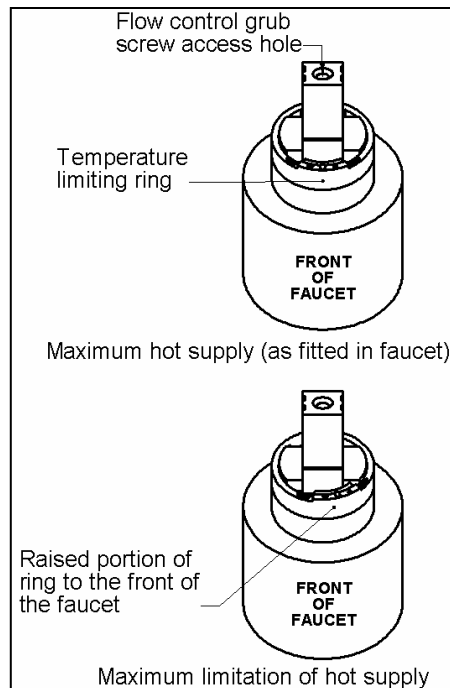
Using a 2.5mm hex key, loosen the grub screw through the indicator hole in the handle.

Pull the handle off the mixer.

Insert a 1.5mm hex key into the hole in the top of the cartridge lever. Engage the grub screw at the bottom of the hole.

Turn the key clockwise to reduce the maximum flow setting or anti-clockwise to increase the maximum flow setting.

Reverse instructions to re-assemble.



Temperature Adjustment

Remove the indicator for the lever handle by carefully popping out with a small flat screw driver.

Using a 2.5mm hex key, loosen the grub screw through the indicator hole in the handle.

Pull the handle off the mixer.

With a small screw driver carefully pry the red Temperature limiting ring from its locator.

Turn the Temperature limiting ring clockwise (+) to increase maximum hot temperature, anti-clockwise (-) to reduce the maximum hot temperature.

Replace the adjustment ring in the locator and push firmly to secure. The raised portion of the ring with the +/- markings should be to the front of the faucet.

Reverse instructions to re-assemble.

Where Methven tapware or valving (tapware) is purchased for use or on-sale in the context of any business, Methven undertakes to either repair or replace (at its option) that tapware if it is discovered that such tapware contains a material defect, which arose in the course of manufacture.

This undertaking shall not apply if:

1. The defect is brought to Methven's attention later than 2 years after the date of purchase, where the defect relates to washers, "O" rings, lip and other seals and powder coating, or 5 years where the defect relates to any other tapware componentry. All single lever ceramic disc cartridges specified for mains pressure only use, has a lifetime warranty.
2. There is a failure by any person to follow Methven's installation instructions or the tapware is used other than in accordance with Methven's specifications.
3. Evidence cannot be produced which confirms that the relevant tapware was purchased from a Methven authorised distributor.
4. Repair work is performed on the relevant tapware by a person other than Methven, its authorised service agents or any plumber who has not received authorisation **prior** to proceeding with the work.

Conditions:

Proof of purchase details (such as invoice or receipt) will be required to claim under this warranty.

Lifetime warranties are applicable, where mains pressure use only has been specified, on ceramic disc cartridges and will result in replacement of defective parts.

The above undertaking from Methven shall also apply to any purchaser of Methven tapware who is a "Consumer" under the Consumer Guarantees Act 1993, in addition to any other right or remedy which such person may have under that Act.

Methven shall in no way be liable to the purchaser or user of any tapware, for any loss, damage (direct, indirect or consequential), cost or expense suffered or incurred by that person, otherwise than as provided in the above provisions, or as provided under the Consumer Guarantees Act 1993.

Distributed by Methven Ltd

METHVEN LIMITED * 447 Rosebank Rd * Avondale * Auckland * New Zealand
 phone : 03 466 4180 fax : 0800 805 222 website: www.methven.biz