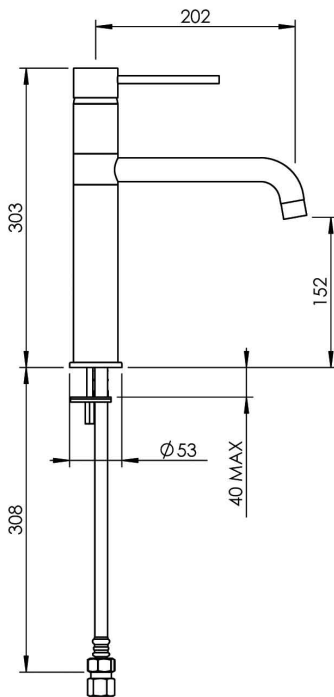


MINIMALIST SINK MIXER



CONSTRUCTION: Brass body

CARTRIDGE TYPE: Ceramic (SP0338550)

CLASSIFICATION: Suitable for **all pressure** systems

INLET CONNECTIONS: 1/2" BSP Female

WORKING PRESSURE: 35 - 1000kPa

DIMENSIONS FOR FITTING: 35mm diameter hole

OPERATING TEMPERATURE: 5 °C - 80 °C

WATER FLOW RATE: 8.0 l/pm

- Swivel spout with aerator
- High quality metal construction
- O-ring seal on base
- Integrated base ring
- Non-return on hot inlet
- Stainless steel flexible inlet hoses
- Twin stud clamp kit ensuring a robust installation
- 3 star WELS rated on mains pressure (8.0 l/pm)
- 3 star WELS rated on low pressure (8.0 l/pm)

MMKCP

Chrome

<http://www.methven.com/nz/minimalist-sink-mixer>