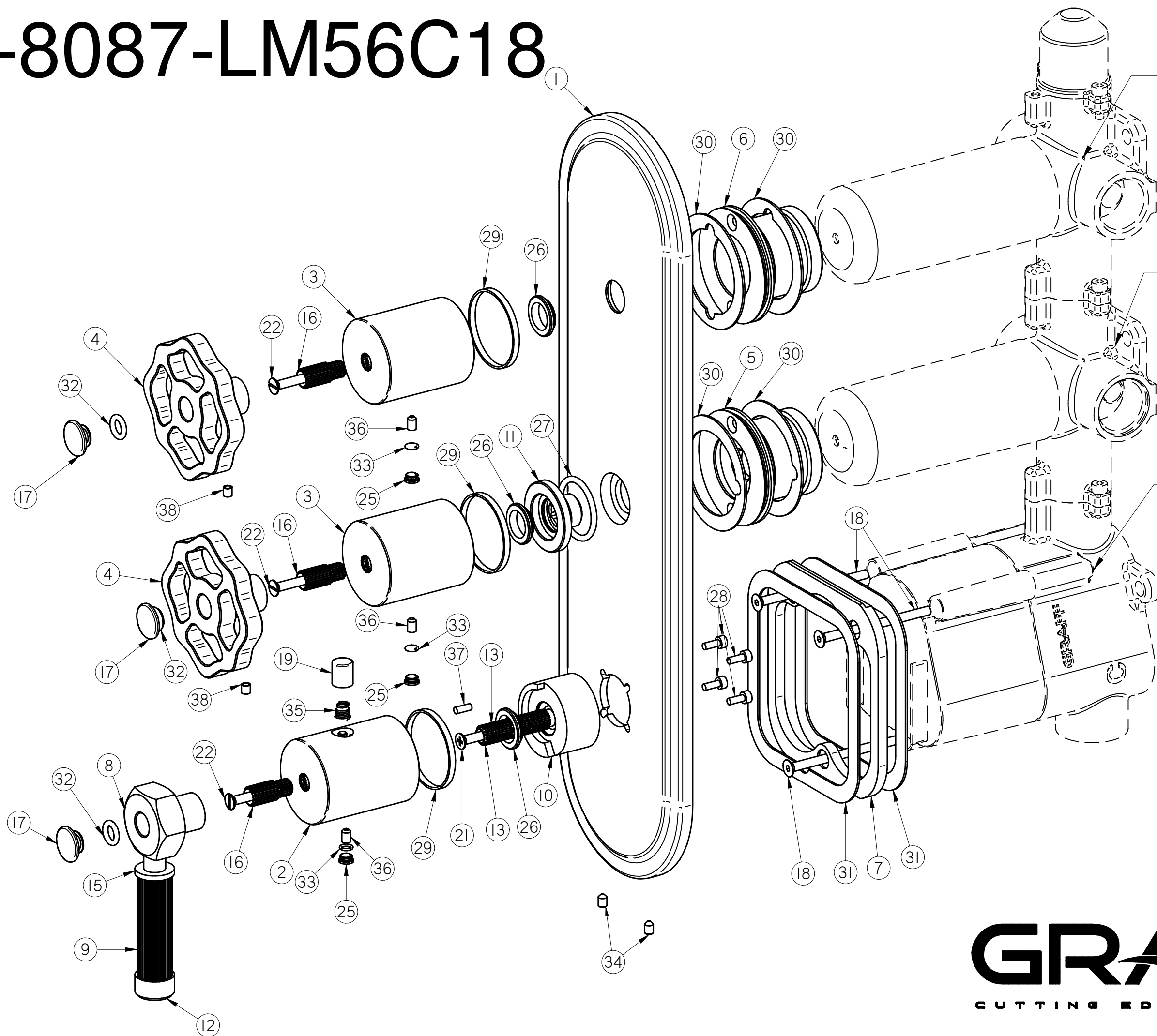


E-8087-LM56C18

Rough - 5119200
or 5119300

Rough - 5119400

Rough - 5119000



GRAFF[®]
CUTTING EDGE DESIGN