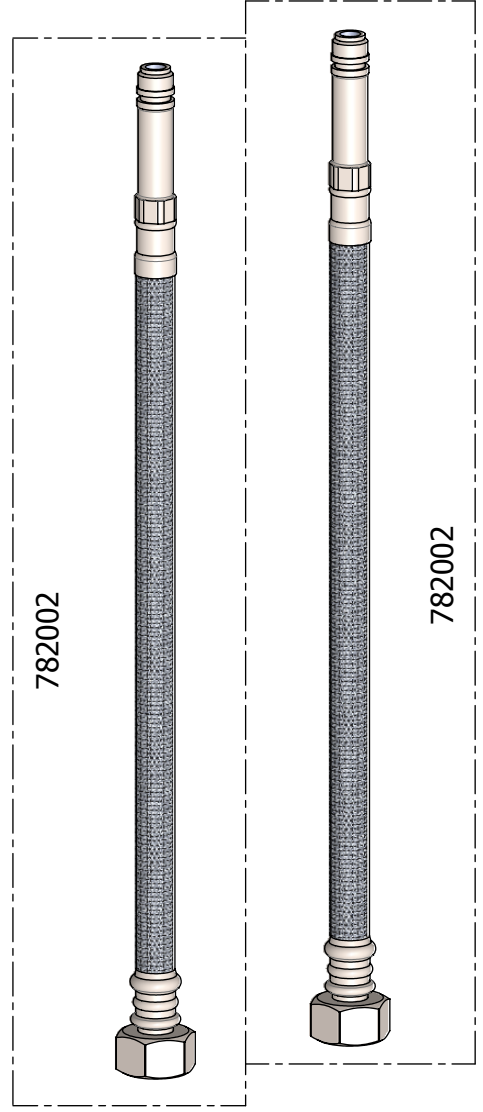
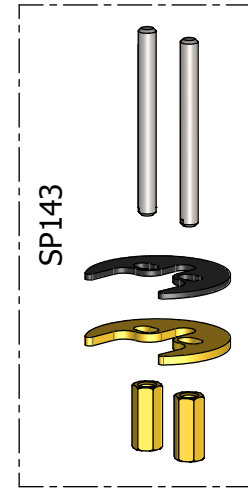
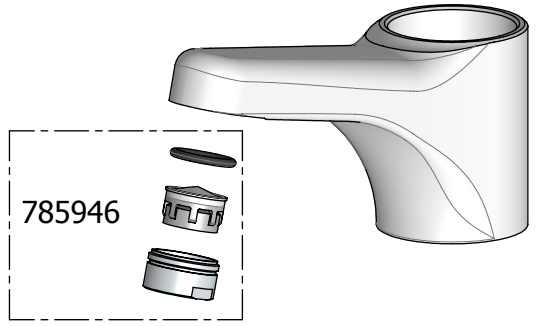
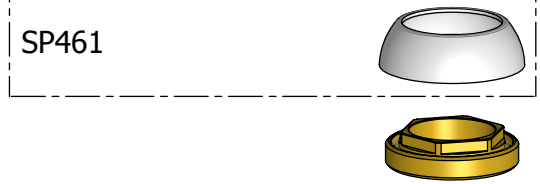
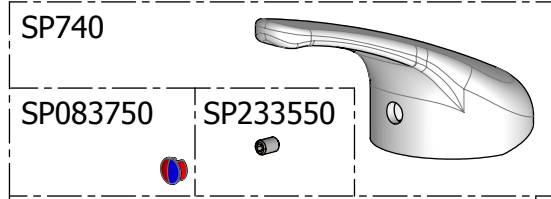
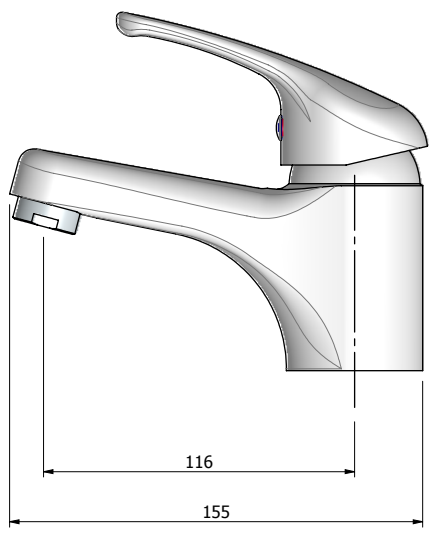
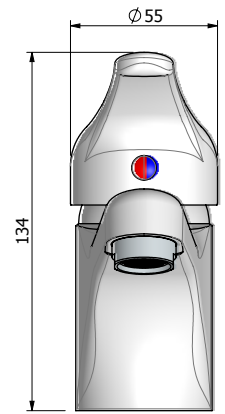


REV	DESCRIPTION	DATE	BY	ECA
-----	-------------	------	----	-----

METHVEN\_PRODUCT\_TEMPL\_04



**Process Control Notes:**  
 □ = Significant Characteristics  
 □ = Customer Significant Features  
 ○ = Safety Critical Features  
 All identified features are required to be produced with a process Cpk ≥ 1.33

**Dimensions in mm**  
 Scale: 1:2  
**DO NOT SCALE**

TOLERANCES UNLESS SPECIFIED OTHERWISE	
LINEAR 0 ± 0.4 0.0 ± 0.2 0.00 ± 0.1	ANGLES ± 3° SURFACE FINISH: 1.6/√ CONCENTRICITY © 0.1 ALL @ ABOUT COMMON CENTRELINE

DRAWN: C Bauer 2/08/2016	CHECKED: Select checked by
MATERIAL: Refer parts	MASS: 1966 g
COLOUR: Refer parts	FINISH: Refer parts
DESCRIPTION: <b>PROMIX BASIN S/L FAUCET CHROME - SP</b>	

<b>mETHVEN LIMITED</b> Private Bag 19996, Auckland 1746 447 Rosebank Road, Avondale, Auckland 1026 PH (+649) 829-0429 FAX (+649) 829-0439		Sheet 1 of 1 Sheet size A3
<b>PRSLBCP</b>		REV <b>A</b>