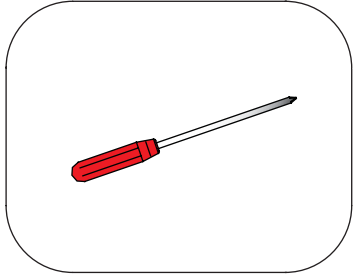
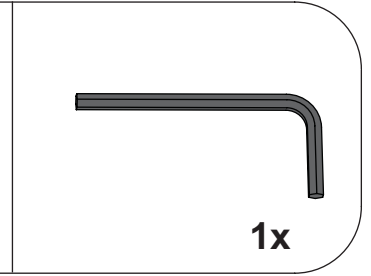
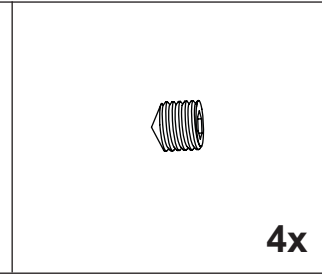
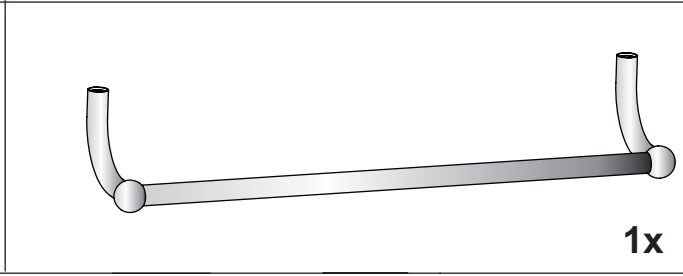
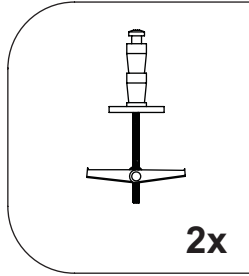


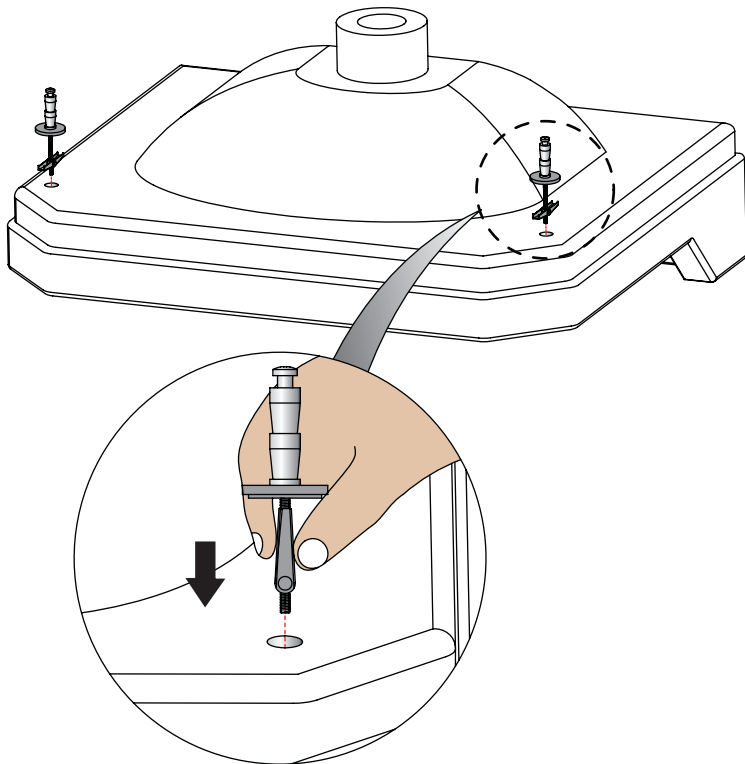
**Tools required:**



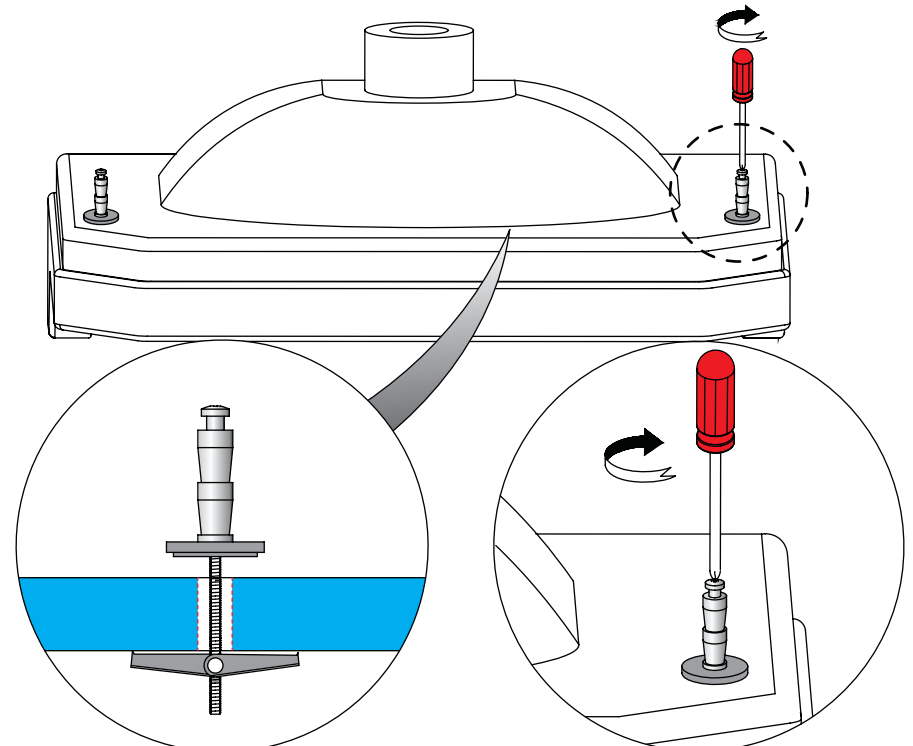
**Parts supplied:**



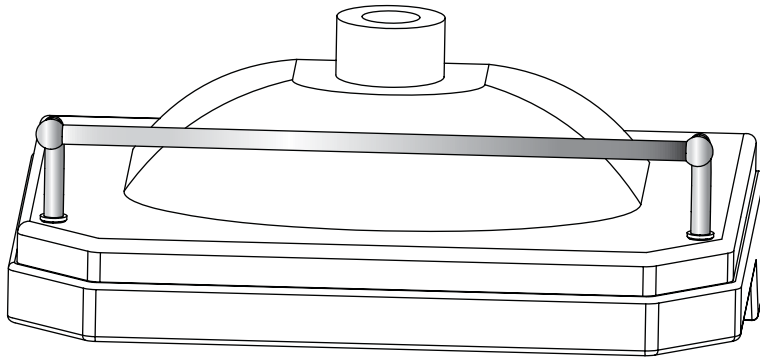
**1** Insert the towel rail fixing bolt into each of the fixing holes located underneath the basin.



**2** Pull the fixing bolt up so that it catches on the inner surface of the basin, and then tighten, but only tight enough to prevent the fitting sliding too much.

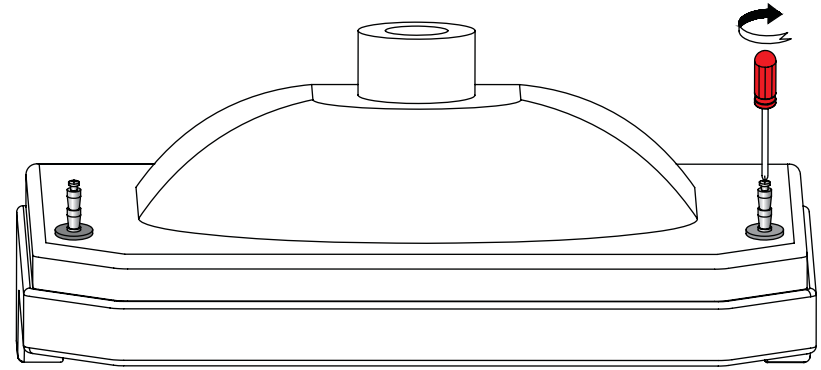


- ③ a: Offer up the rail and push fully home to the plate – this then centers the fitting in the basin.



a:

- b: Pull the rail off the connectors, without moving the fittings, and fully tighten the connectors to the basin.



b:

- ④ Refit the rail to the connectors and lock in position with the 4 grub screws.

