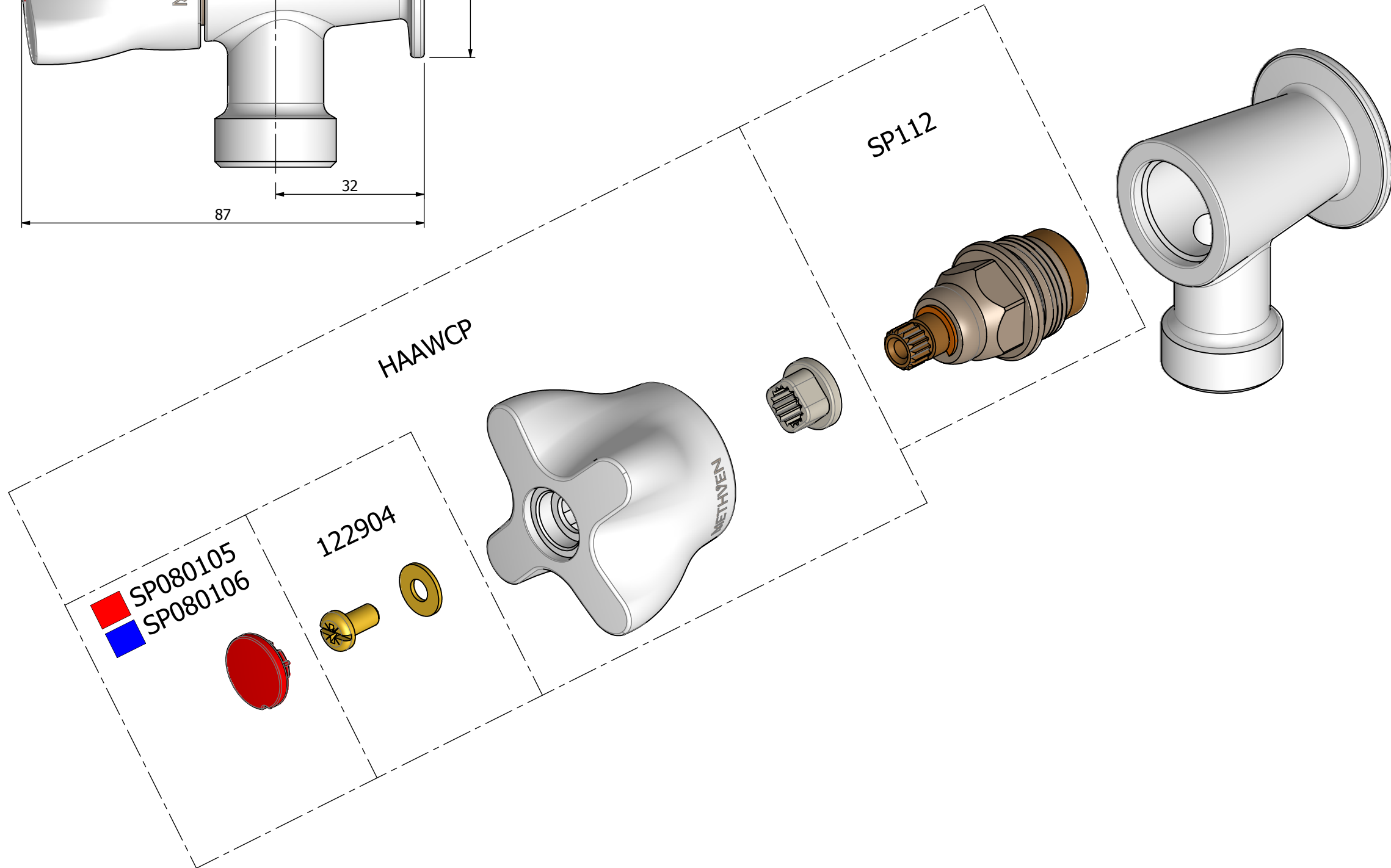
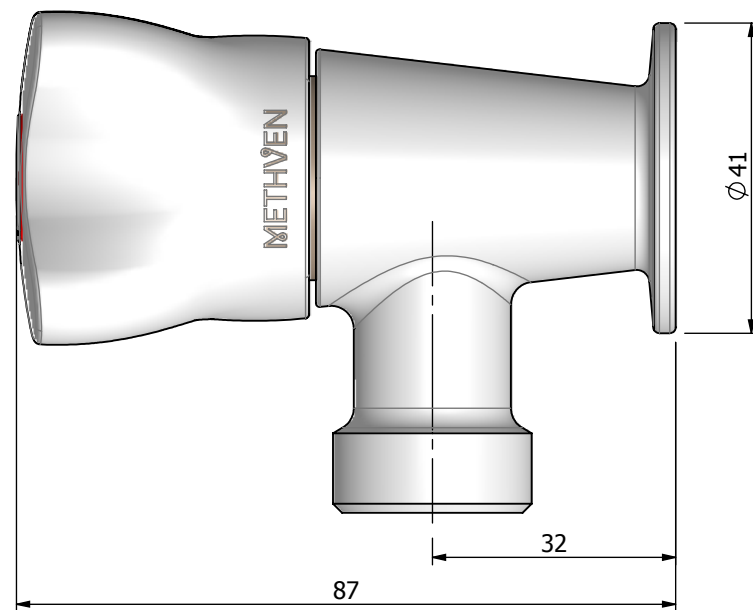
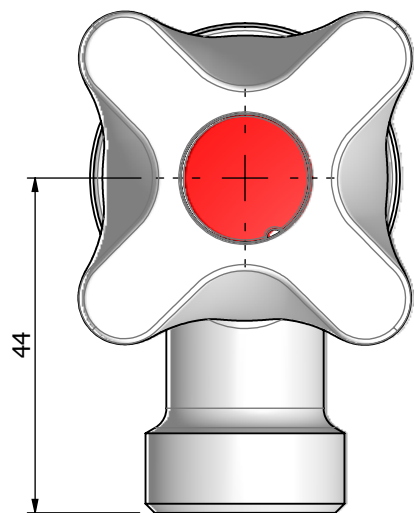


REV	DESCRIPTION	DATE	BY	ECA
-----	-------------	------	----	-----



Process Control Notes:
 SC = Significant Characteristics
 CS = Customer Significant Features
 Ⓢ = Safety Critical Features
 All identified features are required to be produced with a process Cpk ≥ 1.33

Dimensions in mm

 Scale: 1:1
DO NOT SCALE

TOLERANCES UNLESS SPECIFIED OTHERWISE

LINEAR	ANGLES ± 3°
0 ± 0.4	SURFACE
0.0 ± 0.2	FINISH: 1.6
0.00 ± 0.1	

CONCENTRICITY Ⓢ 0.1
 ALL Ø ABOUT COMMON CENTRELINE

DRAWN: C Bauer 16/08/2016	CHECKED: Select checked by
MATERIAL: Refer parts	MASS: 497 g
COLOUR: Specify	FINISH: Specify
DESCRIPTION: AWA WASHING MACHINE TAP CP - SP	

mETHVEN LIMITED Private Bag 19996, Auckland 1746 447 Rosebank Road, Avondale, Auckland 1026 PH (+649) 829-0429 FAX (+649) 829-0439	Sheet 1 of 1
	Sheet size A3
DWG.No	REV A

MVL_A3_PRODUCT Rev 0.4