

E1345F



Collection: BRIVE

Finish*:



00 - White

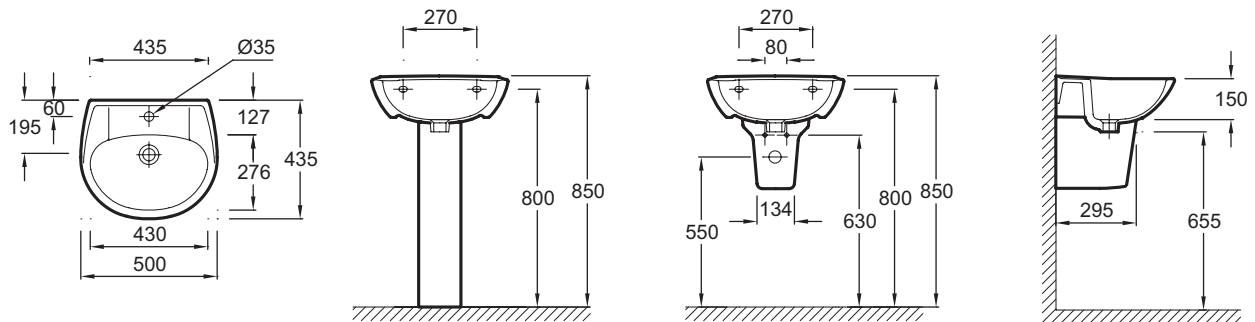
Features

- **DIMENSIONS:** 50 x 43.50 cm
- **MATERIAL:** Ceramic
- **FAUCET DRILLING:** 1 tap hole
- **TAP DRILLING:** 1 tap hole
- **OVERFLOW:** With overflow hole
- **OPTIONAL:** Pedestal, semi-pedestal
- **WEIGHT:** 12.5 kg
- **INSTALLATION TYPE:** Self-supporting
- **FIXINGS:** 3 types of fixings possible: Bolts, brackets or hooks
- **INSTALLATION:** STANDARD
- **PRODUCT INCLUDED:** (Tap not included)

Consumer benefits

- **PRACTICAL:** Rear backsplash protects from splatters
- **EASY CARE:** Soft corners for fast, easy cleaning

Technical drawing



Product Specification: Washbasin 50 cm. E1345F. Collection: BRIVE. DIMENSIONS: 50 x 43.50 cm. WEIGHT: 12.5 kg. MATERIAL: Ceramic. INSTALLATION TYPE: Self-supporting. FAUCET DRILLING: 1 tap hole. FIXINGS: 3 types of fixings possible: Bolts, brackets or hooks. TAP DRILLING: 1 tap hole. INSTALLATION: STANDARD. OVERFLOW: With overflow hole. PRODUCT INCLUDED: (Tap not included). OPTIONAL: Pedestal, semi-pedestal.

*Due to possible variations in computer and printer calibrations, technical factors and certain finish characteristics, the colors you see may not accurately portray the actual colors and are provided as a guide only.