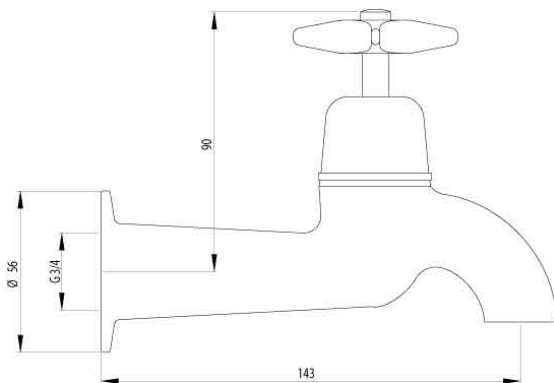


## KOWHAI BATH TAP



**CONSTRUCTION:** Brass body

**CLASSIFICATION:** Suitable for **all pressure** systems

**INLET CONNECTIONS:** 3/4" BSP Female

**WORKING PRESSURE:** 10 - 500kPa

**DIMENSIONS FOR FITTING:** 56mm diameter hole

**OPERATING TEMPERATURE:** 5 °C - 80 °C

- Solid metal handle.
- Standard 20mm headworks.

4920

Chrome

<http://www.methven.com/nz/tapware/sink-taps/awa-bath-tap>