



WE ARE IB

Collection

AQUA

Article

EUA712BI

Description

Plate and handles trimkit



Box Dimensions

420x180x90 mm

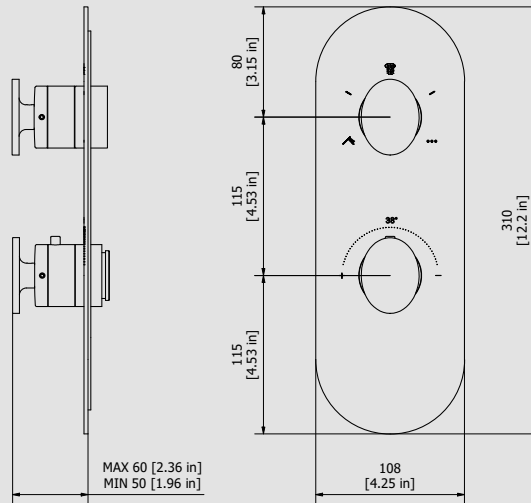
Weight

3.5 kg

Finishes

- **CC** CHROME
- **PL** PLATINUM
- **SS** BRUSHED NICKEL
- **ON** NATURAL BRASS
- **BO** MATT WHITE
- **NP** MATT BLACK
- **CF** BLACK CHROME
- **CS** BRUSHED BLACK CHROME
- **II** PALE GOLD
- **IS** BRUSHED PALE GOLD
- **RS** ROSE GOLD
- **SR** BRUSHED ROSE GOLD
- **OO** GOLD
- **OS** BRUSHED GOLD
- **RR** ANTIQUE COPPER
- **BB** ANTIQUE BRONZE

Dimensions



Cartridge

-

Threaded fitting

-

Aerator

-

Flow Rate (+/-10%)

1 BAR
l/m

2 BAR
l/m

3 BAR
l/m

Production

Main body is a machined from a solid pieces

Material

BRASS
According to CuZn39Pb3 (CW614N)
Max Lead content: 2.5%

IB RUBINETTERIE s.p.a
via dei Pianotti 3/5
25068 Sarezzo (BS) - Italy -

T. +39 030 802101
F. +39 030 803097
info@weareib.it

P.IVA 01785230986
capitale sociale
€420.000,00 i.v.

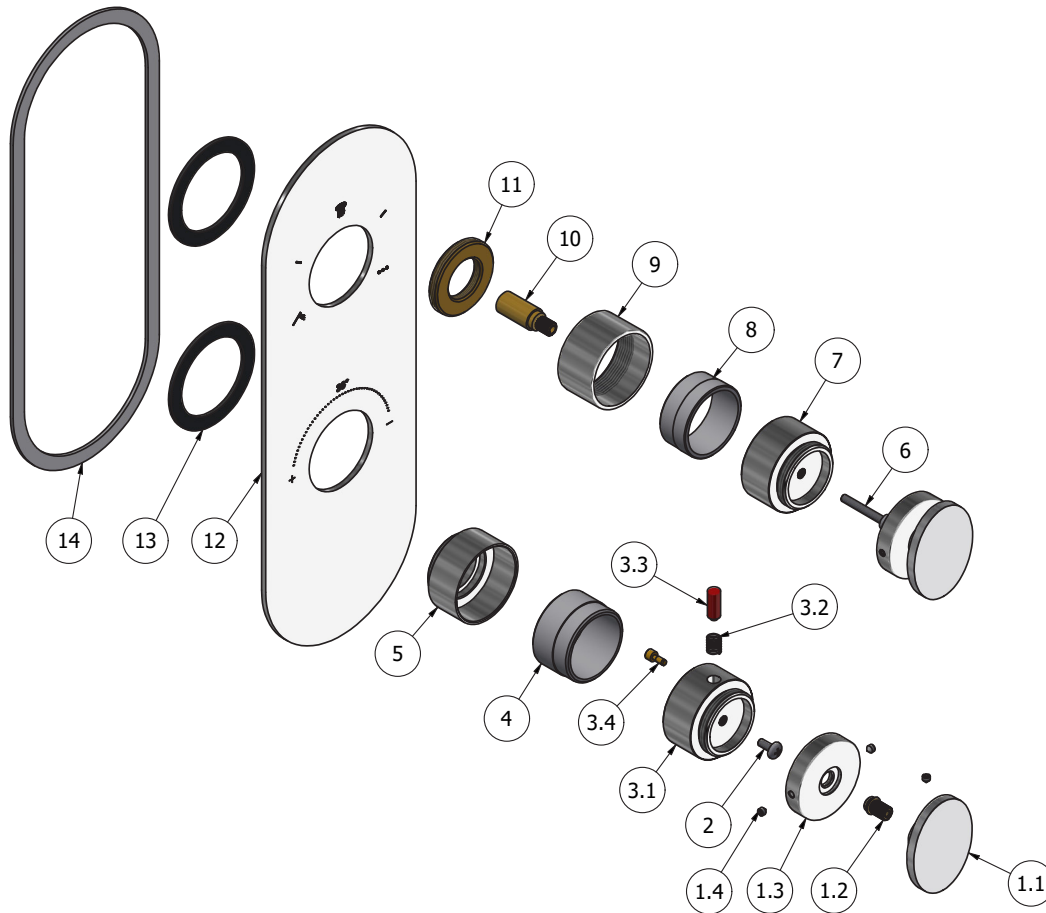
www.weareib.it





WE ARE IB

Parts list			
ELEM.	CODE	DESCRIPTION	QTÀ
1	CP10970CC-1	Preassembled oval handled 55x42	2
1.1	AQ0010970	Oval handle 55x42	1
1.2	AS0011128	Broach for thermostatic handle	1
1.3	AC0010828	Handle Ø45 Ø15.7 M H9.6	1
1.4	AQ0001082	Grub screw M4x4 cone point	3
2	AQ0002160	Screw M4x10	1
3	CP0007043	Thermoregulation handle body	1
3.1	AC0007043	Handle thermoregulation	1
3.2	AQ0008086	Spring for thermo plug Ø6 F0.5 L8.5	1
3.3	AQ0008085	Red plug for termo handle	1
3.4	AS0007045	Pin for thermo lever button Ø6 H11.6	1
4	AS0013025	Centering bush Ø40.95 Ø41.95 H25	1
5	AC0011535	Support Ø45 H25.5 M36x1.5	1
6	AQ0009809	Inox screw M4x30	1
7	AC0007042	Capacity handle body	1
8	AS0013024	Centering bush Ø40.95 Ø40.35 H18.5	1
9	AC0013023	Ring Ø45 H23.6 M42x1.5	1
10	AS0009598	Extension 8x20 H34.8	1
11	AS0013022	Reduction M24x1 M42x1.5 H6	1
12	ACGC13122_3	Plate 310x108x3 int 115 stamped 3 ways	1
13	AQ0013943	Rubber packing Ø60xØ45 H2	2
14	AQ0014225	Rubber packing double-sided tape 275x105x2	1





WARRANTY

All IB Rubinetterie SpA products are warranted for 10 years from the date of purchase, for the following cases:

- Defects of casting, porosity and chrome plating.
- Operating defects caused by incorrect fabrication.

The warranty provides for repair or replacement of products with fabrication defects recognized by our technical office. There is no other type of compensation anche the merchandise must be returned FOB our warehouse. The warranty only cover surface defects (scatches, dings, etc.) on fitting that have not been installed and used, returned in its original packaging with all components. O-ring, gasket seals and components subject to wear proportional to use are warranted for 2 years.

The warranty is void in the following cases:

Error installing and putting the product into service.

Deterioration of finished surfaces due to use of cleaning products containing acids or abrasive substances. Deterioration of surface with finishes other than chrome plating. Their durability is, in fact, dependent on the user's care and gentleness of use.

Deterioration of the fitting due incorrect installation.

Improper repairs and maintenance performed without the company's prior authorization.

The warranty from IB Rubinetterie SpA is not renewable.

Cleaning

We recommended cleaning the finish surfaces with water and soap, using a soft cloth.

Do not use detergents that contain hydrochloric acid or abrasive substances.

