

Wall Mounted Spout Square

Installation Guide

Technical Specifications:

Operating Pressure:

Min: 150kPa/1.5bar

Max: 500kPa/5bar*

Optimum: 150kPa/1.5bar - 500kPa/5bar

Operating Temperature:

Hot: Max 80°C*

Cold: Min 5°C

Inlet Connections:

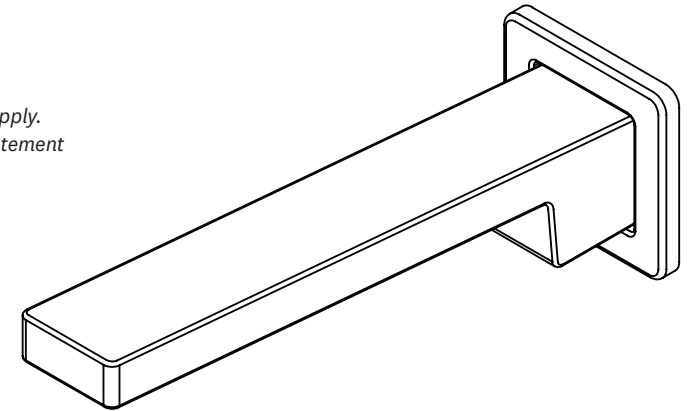
All ½" BSP

USE PARALLEL FITTINGS ONLY

* Regional specific regulations apply.

Please refer to your warranty statement

at www.methven.com



Care and Cleaning:

Never use abrasives or abrasive cleaning agents to clean this product. Clean regularly with contamination free warm soapy water and a damp soft cloth.

Methven warrants this product against manufacturing defects and that it is suitable for use under the general operating conditions specified in this instruction sheet. However, regional regulations apply and may affect your warranty. Please refer to www.methven.com or call customer service for full details.

New Zealand
0800 804 222

Australia
1300 638 483

UK
0800 195 1602

439861

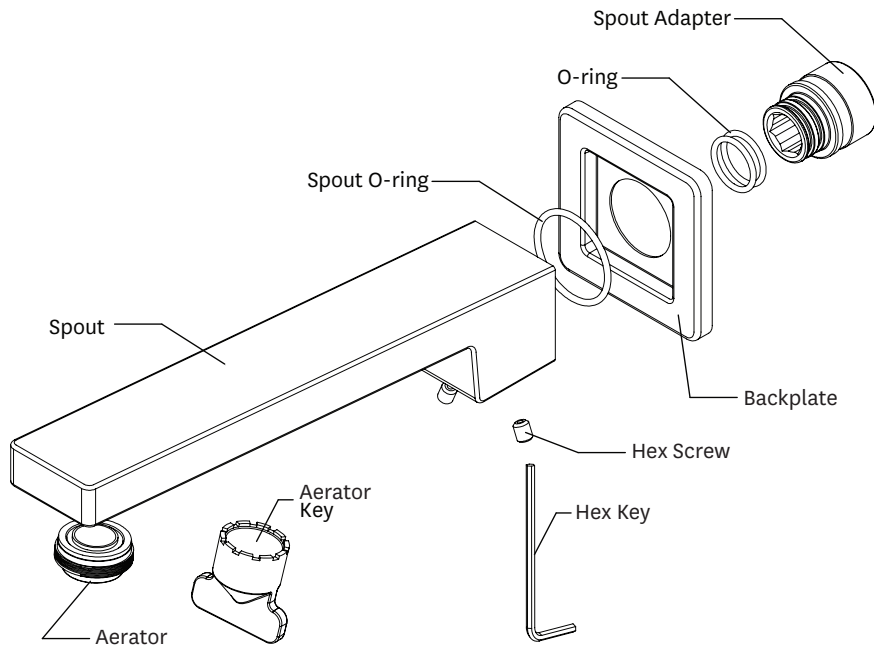
ISSUE B

METHVEN
www.methven.com

IMPORTANT: Please read all of the instructions before installation.

General:

- Methven recommends this product is installed by a licensed plumber in compliance with all relevant regional regulations.
- All pipe work must be thoroughly flushed prior to the installation of the mixer.
- After installation all connections must be checked for leaks.
- All outlets used primarily for personal hygiene shall deliver water at a safe temperature as per regional regulations.
- If limited water flow is experienced, locate aerator and filter washers and clean away foreign material as required.
- It is the responsibility of the installer to ensure a waterproof seal is achieved between the product and mounting surface. If in doubt about the quality of the seal, remove the product and reinstall.

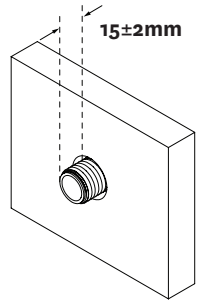


IMPORTANT: Before you begin, turn off the water supply.

Installation:

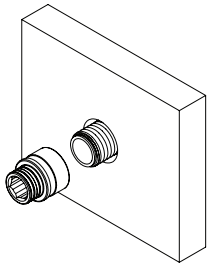
Step 1

- Cut outlet nipple to **15±2mm** from finished wall surface.



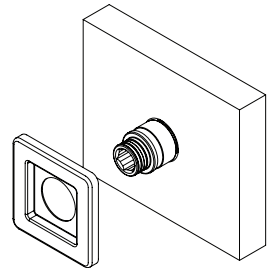
Step 2

- Screw spout adapter onto outlet nipple using plumber's tape to ensure a watertight seal.



Step 3

- Slide backing plate over adapter with plate notch positioned centrally towards the bottom. Silicone can be used to seal plate to the finished wall surface if desired.



Step 4

- Ensure spout O-ring is in place and push spout onto adapter. Tighten both hex screws to secure spout in place.

